



2022

SPARE
PARTS
2022



2022 SPARE PARTS & TOOLS

ROAD - RIM BRAKE

SPEED 55T	6
SPEED 40T	8
SPEED 55C	10
SPEED 40C	12
WIND 40 / 400	14
RACING ZERO CARBON	16
RACING ZERO (MY 2017 - 2021)	18
RACING ZERO (MY 2022)	20
RACING 3	22
RACING 4 / 400	24
RACING 5 / 500	26
RACING 6 / 600	28
RACING 900	30
SPEED 360T	32
VALVE EXTENSIONS	33

ROAD - DISC BRAKE

SPEED 55T DB	34
SPEED 40T DB	36
SPEED 55 CMPTZN DB	38
SPEED 40 CMPTZN DB	40

2022 SPARE PARTS & TOOLS

ROAD - DISC BRAKE

SPEED 55 DB	42
SPEED 40 DB	44
WIND 75 DB	46
WIND 55 / 500 DB	48
WIND 40 / 400 DB	50
RACING ZERO CARBON CMPTZN DB	52
RACING ZERO CARBON DB	54
RACING ZERO CMPTZN DB	56
RACING ZERO DB	58
RACING 3 DB	60
AIRBEAT 550 DB	62
AIRBEAT 400 DB	64
RACING 4 / 400 DB (MY 2022)	66
RACING 4 DB (MY 2018 - 2021)	68
RACING 400 DB (MY 2018 - 2021)	70
RACING 5 / 500 DB (MY 2022)	72
RACING 5 DB (MY 2018 - 2021)	74
RACING 500 DB (MY 2018 - 2021)	76
RACING 6 / 600 DB (MY 2022)	78
RACING 6 DB (MY 2018 - 2021)	80
RACING 600 DB (MY 2018 - 2021)	82

2022 SPARE PARTS & TOOLS

ROAD - DISC BRAKE

RACING 7B DB	84
RACING 700B DB	86
RACING 7 DB	88
RACING 700 DB	90
RACING 800 DB	92
RACING 900B DB	94
RACING 900 DB (MY 2021 - 2022)	96
RACING 900 DB (MY 2020)	98

GRAVEL

RAPID RED CARBON	100
RAPID RED 3/300 650b	102
RAPID RED 3/300 700c	104
RAPID RED 5 650b	106
RAPID RED 500 650b	110
RAPID RED 5 700c	114
RAPID RED 500 700c	118
RAPID RED 900 650b	122
RAPID RED 900 700c	124

2022 SPARE PARTS & TOOLS

E-ROAD - DISC BRAKE

E-RACING 4 / 400	126
E-RACING 900	128
E-RACING 900 EBM X35+	130

FW BODIES - ROAD / GRAVEL

132

N3W KIT RETROFIT

137

FW BODIES - E - ROAD / E - GRAVEL

138

QUICK-RELEASES

139

ROAD ADAPTERS - DISC BRAKE

140

MTB

RED ZONE CARBON	142
RED ZONE 3 / 300	144
FW BODIES	146

2022 SPARE PARTS & TOOLS

MTB

RED ZONE 5 / 500	148
RED ZONE 7 / 700	160
RED METAL 5 / 500	172
RED FIRE 5 / 500	176

E-MTB

E-METAL 3 / 300	182
E-METAL 5 / 500	190
E-METAL 700	198
E-FIRE 3 / 300	206
E-FIRE 5 / 500	210
E-FIRE 700	214

2WF-READY CONVERSION KIT

218

MTB ADAPTERS

219

TOOLS & ACCESSORIES

222

SPEED™ 55T tubular

RIMS & SPOKES/CERCHI E RAGGI

RIM

	FRONT RIM	RSF-TRK5518 (with labels)
	REAR RIM	RSR-TRK5518 (with labels)
	VALVE HOLE	6,5 mm
	VALVE HOLE BUSHING	RWX-014 (5 pcs)
	VALVE HOLE EXTENSION	T-26
	DIAMETER	634 mm
	BRAKE PADS	for carbon rims - BR-B0500 (for brakes with retention spring or interference fixing) - BR-B0500X1 (for brakes with screw fixing)

SPOKES

FRONT SPOKE	RS-01655	4 spokes + 4 nipples
REAR RIGHT SPOKE	RS-01855	4 spokes + 4 nipples
REAR LEFT SPOKE	RS-01955	4 spokes + 4 nipples
NIPPLES	RWX-B	black - 10 pcs
TOOL	T-11	magnet-attractor insert for nipple
TOOL	T-05	nipple-guide magnet
TOOL	T-18	spoke spanner
TOOL	T-02	spoke anti-rotation

ACCESSORIES

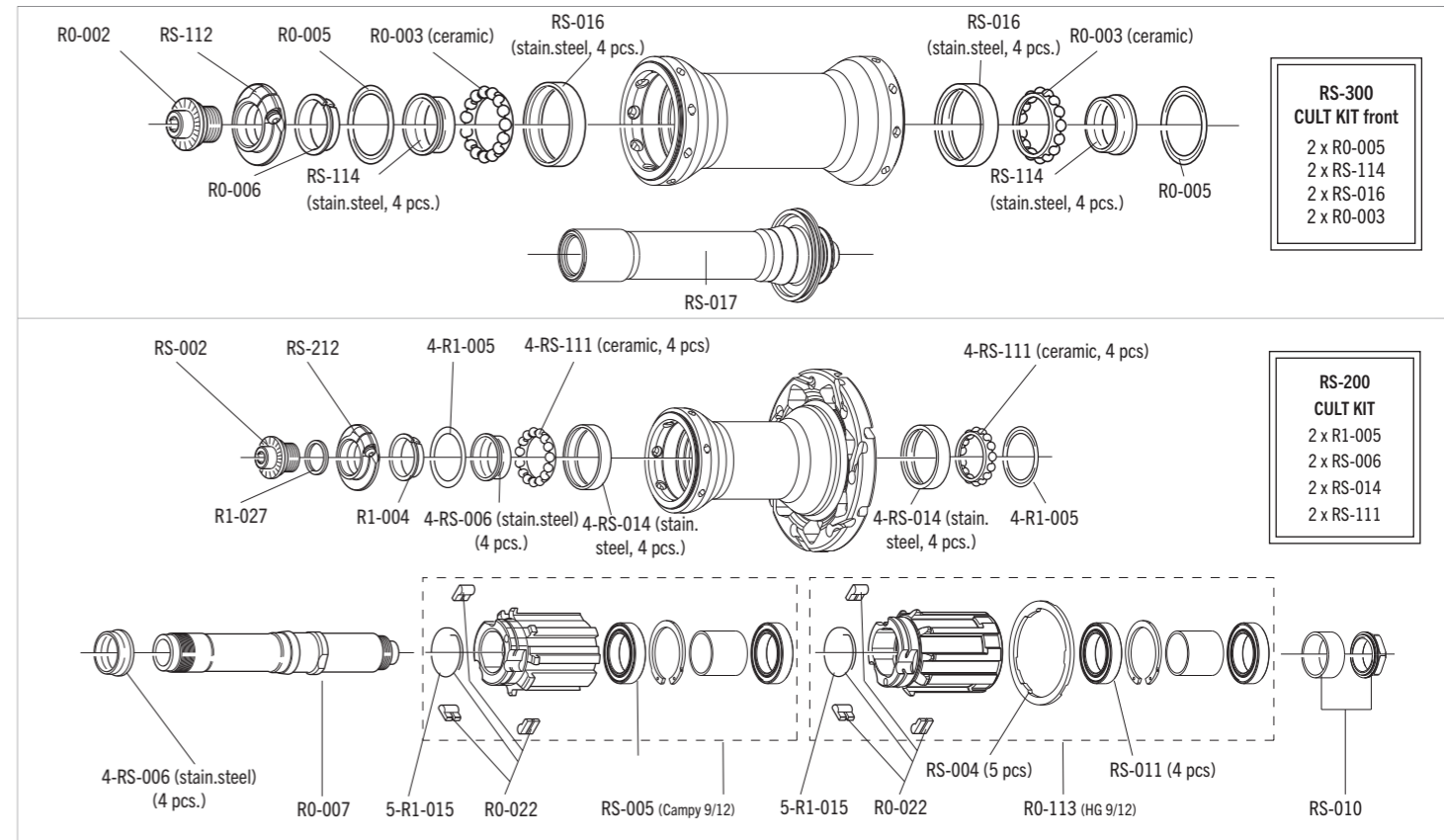
Spacer for HG fw body	RS-004	5 pcs - to be used only with 9/10s sprockets (HG11 FW body package contains the spacer)
-----------------------	--------	--

⚠ WARNING!

Due to the high temperatures reached when braking, we recommend you use only glue for tubular tires specifically for carbon fibre rims.
A causa delle alte temperature raggiunte in frenata, vi consigliamo di utilizzare solamente colla per tubolari che sia specifica per i soli cerchi in fibra di carbonio.

SPEED™ 55T tubular

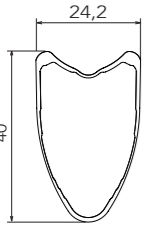
HUBS/MOZZI



SPEED™ 40T tubular

RIMS & SPOKES/CERCHI E RAGGI

RIM

	FRONT RIM	SPF-TR4018 (with labels)
	REAR RIM	SPR-TR4018 (with labels)
VALVE HOLE	6,5 mm	
VALVE HOLE BUSHING	RWX-014 (5 pcs)	
DIAMETER	634 mm	
BRAKE PADS	for carbon rims - BR-B0500 (for brakes with retention spring or interference fixing) - BR-B0500X1 (for brakes with screw fixing)	

SPOKES

FRONT SPOKE	RS-01640	4 spokes + 4 nipples
REAR RIGHT SPOKE	RS-01840	4 spokes + 4 nipples
REAR LEFT SPOKE	RS-01940	4 spokes + 4 nipples
NIPPLES	RWX-B	black - 10 pcs
TOOL	T-11	magnet-attractor insert for nipple
TOOL	T-05	nipple-guide magnet
TOOL	T-18	spoke spanner
TOOL	T-02	spoke anti-rotation

ACCESSORIES

Spacer for HG fw body	RS-004	5 pcs - to be used only with 9/10s sprockets (HG11 FW body package contains the spacer)
-----------------------	--------	--

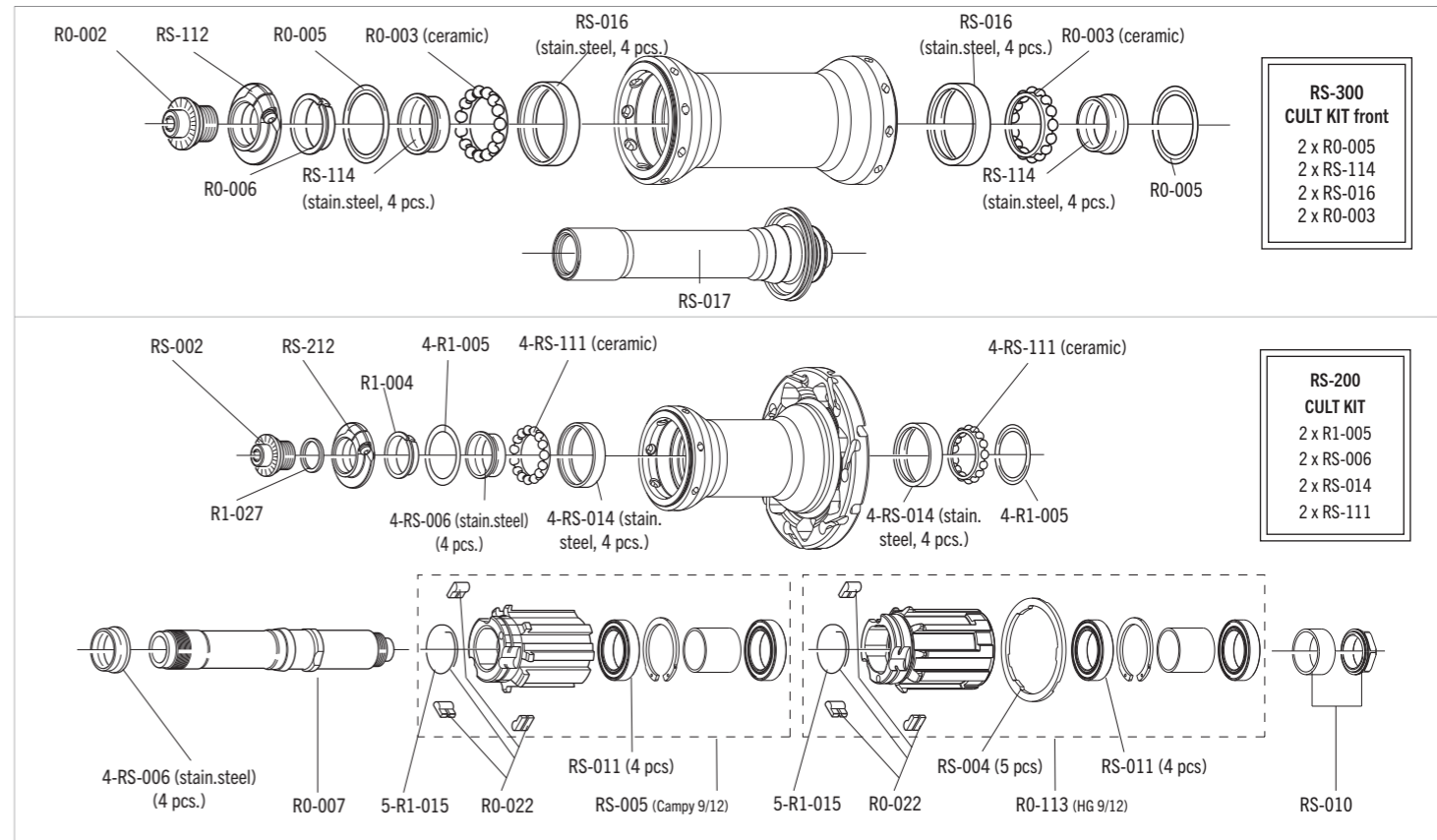


WARNING!

Due to the high temperatures reached when braking, we recommend you use only glue for tubular tires specifically for carbon fibre rims.
A causa delle alte temperature raggiunte in frenata, vi consigliamo di utilizzare solamente colla per tubolari che sia specifica per i soli cerchi in fibra di carbonio.

SPEED™ 40T tubular

HUBS/MOZZI



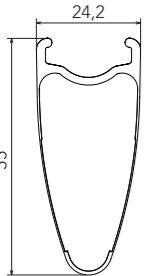
**RS-300
CULT KIT front**
2 x R0-005
2 x RS-114
2 x RS-016
2 x R0-003

**RS-200
CULT KIT**
2 x R1-005
2 x RS-006
2 x RS-014
2 x RS-111

SPEED™ 55C clincher

RIMS & SPOKES/CERCHI E RAGGI

RIM

	FRONT RIM	RSF-CRK5518 (with labels)
	REAR RIM	RSR-CRK5518 (with labels)
	VALVE HOLE	6,5 mm
	VALVE HOLE BUSHING	RWX-014 (5 pcs)
	VALVE HOLE EXTENSION	T-26
	DIAMETER	622 x 17C
	BRAKE PADS	for carbon rims - BR-B0500 (for brakes with retention spring or interference fixing) - BR-B0500X1 (for brakes with screw fixing)

SPOKES

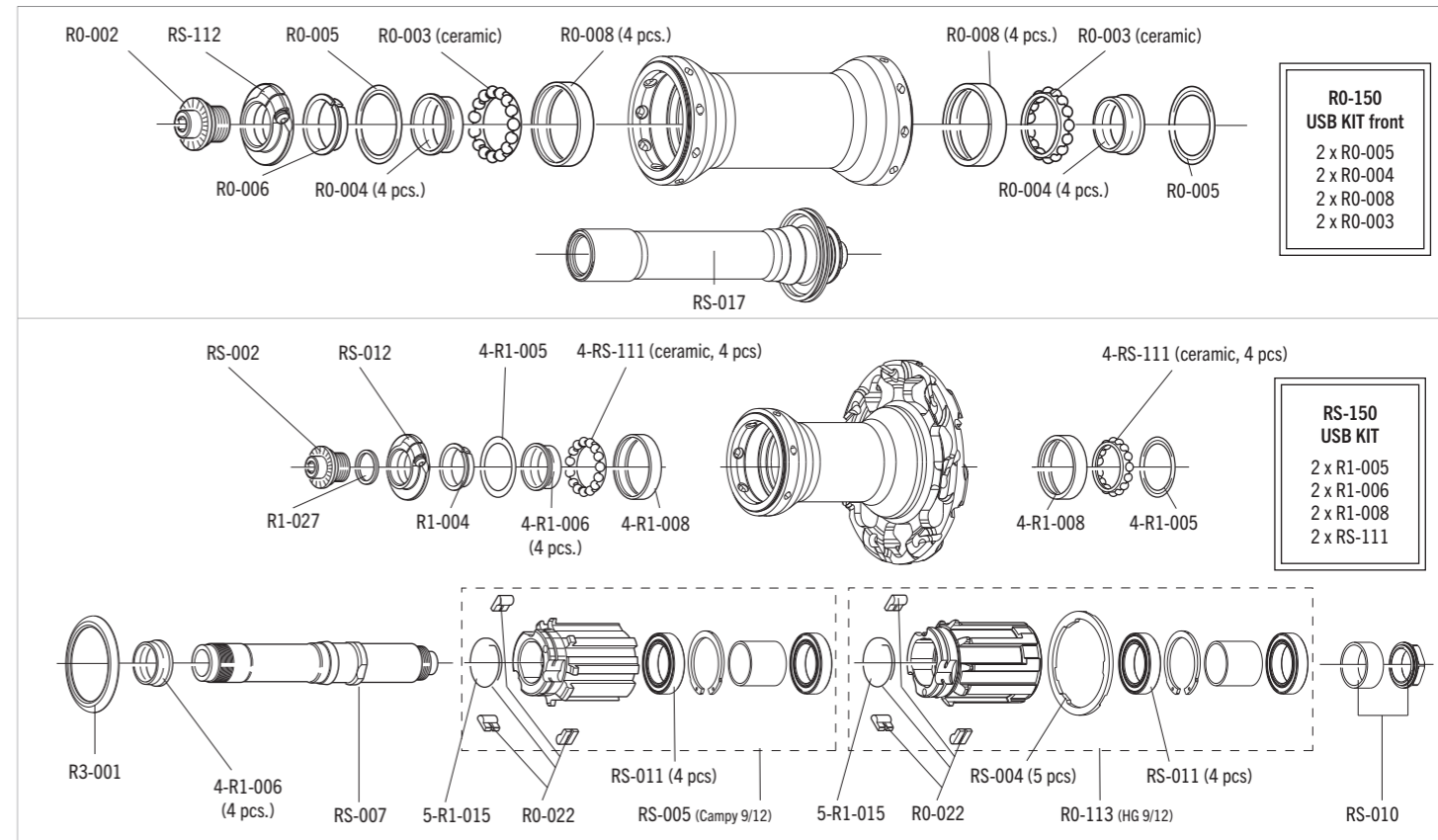
FRONT SPOKE	RS-01655	4 spokes + 4 nipples
REAR RIGHT SPOKE	RS-01855	4 spokes + 4 nipples
REAR LEFT SPOKE	RS-01955	4 spokes + 4 nipples
NIPPLES	RWX-B	black - 10 pcs
TOOL	T-11	magnet-attractor insert for nipple
TOOL	T-05	nipple-guide magnet
TOOL	T-18	spoke spanner
TOOL	T-02	spoke anti-rotation

ACCESSORIES

Spacer for HG fw body	RS-004	5 pcs - to be used only with 9/10s sprockets (HG11 FW body package contains the spacer)
-----------------------	--------	--

SPEED™ 55C clincher

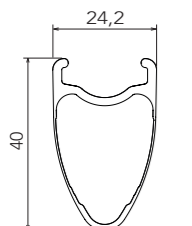
HUBS/MOZZI



SPEED™ 40C clincher

RIMS & SPOKES/CERCHI E RAGGI

RIM

	FRONT RIM	SPF-CR4018 (with labels)
	REAR RIM	SPR-CR4018 (with labels)
VALVE HOLE	6,5 mm	
VALVE HOLE BUSHING	RWX-014 (5 pcs)	
DIAMETER	622 mm x 17C	
BRAKE PADS	for carbon rims - BR-B0500 (for brakes with retention spring or interference fixing) - BR-B0500X1 (for brakes with screw fixing)	

SPOKES

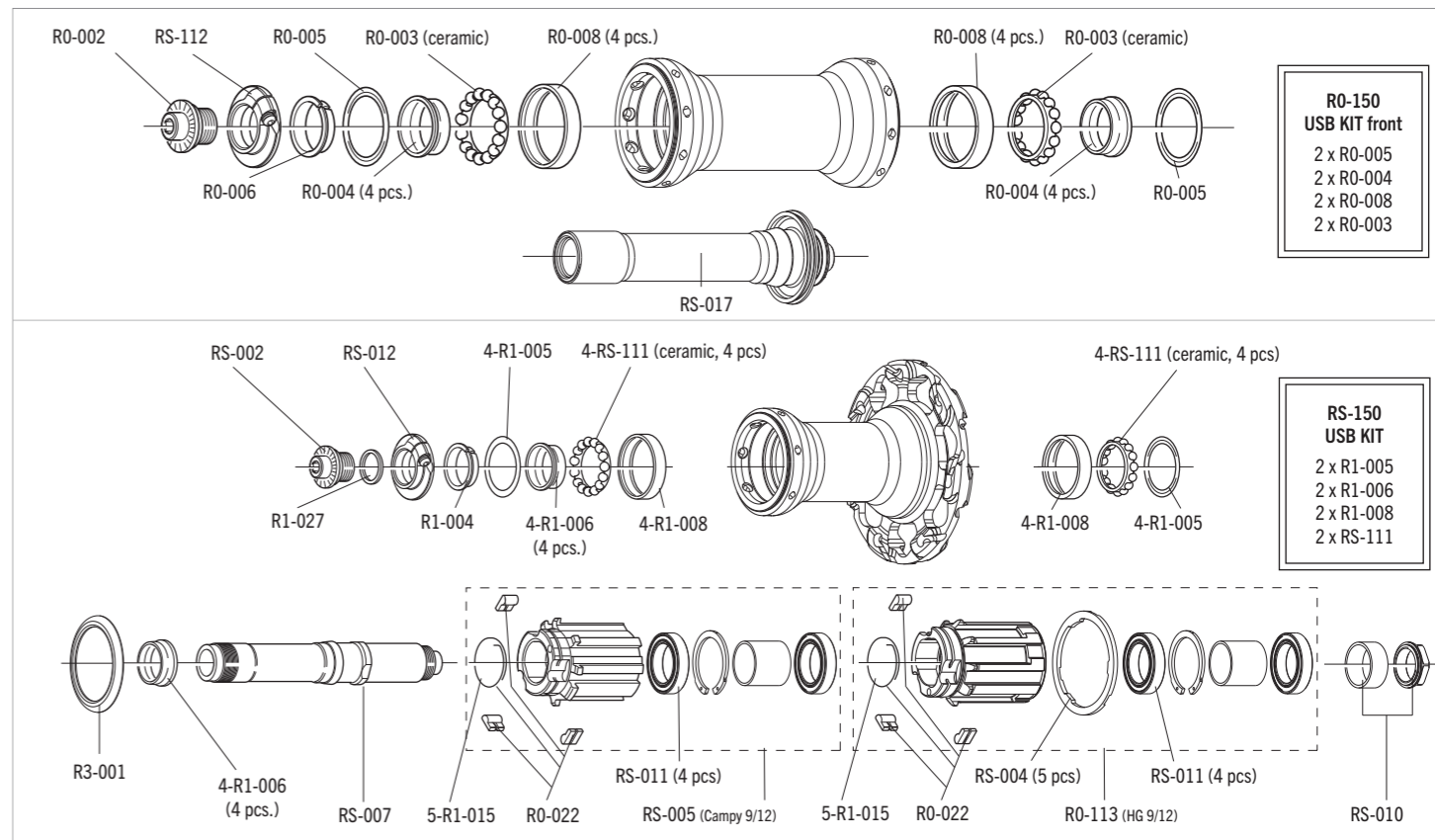
FRONT SPOKE	RS-01640	4 spokes + 4 nipples
REAR RIGHT SPOKE	RS-01840	4 spokes + 4 nipples
REAR LEFT SPOKE	RS-01940	4 spokes + 4 nipples
NIPPLES	RWX-B	black - 10 pcs
TOOL	T-11	magnet-attractor insert for nipple
TOOL	T-05	nipple-guide magnet
TOOL	T-18	spoke spanner
TOOL	T-02	spoke anti-rotation

ACCESSORIES

Spacer for HG fw body	RS-004	5 pcs - to be used only with 9/10s sprockets (HG11 FW body package contains the spacer)
-----------------------	--------	--

SPEED™ 40C clincher

HUBS/MOZZI



WIND 40 / 400 CLINCHER

RIMS & SPOKES/CERCHI E RAGGI

RIM

	LABEL KIT	W40-LAB20 (front+rear Wind 40) - W400-LAB20 (front+rear Wind 400)
	VALVE HOLE	6,5 mm
	VALVE HOLE BUSHING	RWX-014 (for valve seat reduction - 5 pcs)
	DIAMETER	622 X 17C
	BRAKE SHOES	see "brake pads compatibility table" on www.fulcrumwheels.com

SPOKES

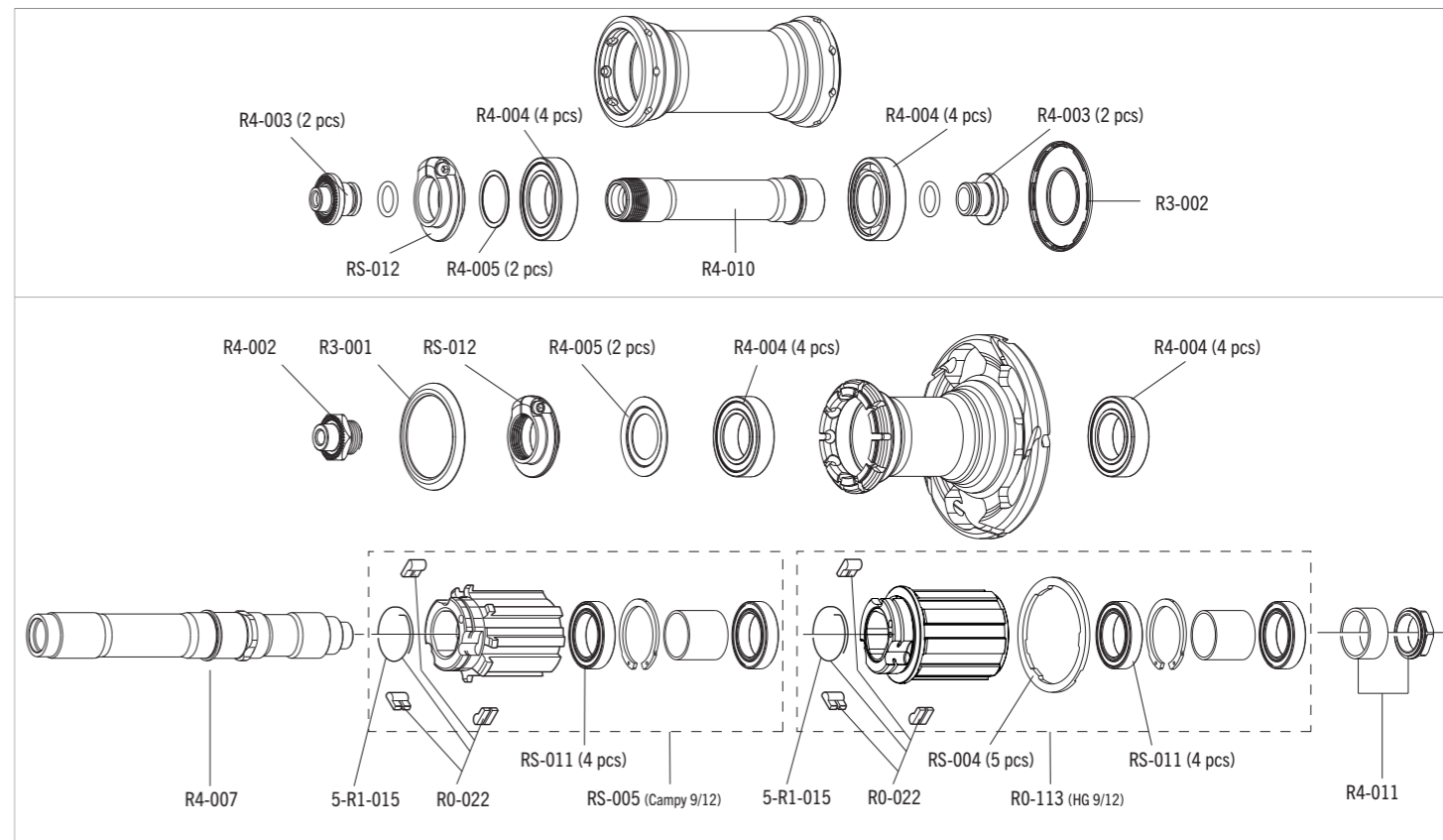
FRONT SPOKE	R4-016C	4 spokes + 4 nipples
REAR RIGHT SPOKE	R4-018C	4 spokes + 4 nipples
REAR LEFT SPOKE	R4-019C	4 spokes + 4 nipples
NIPPLES	RWX-B	50 pcs.

ACCESSORIES

Spacer for HG fw body	RS-004	5 pcs - to be used only with 9/10s sprockets (HG11 FW body package contains the spacer)
-----------------------	--------	--

WIND 40 / 400 CLINCHER

HUBS/MOZZI

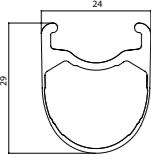


RACING ZERO™ CARBON CLINCHER

DARK / BRIGHT

RIMS & SPOKES/CERCHI E RAGGI

RIM

	FRONT RIM	R0F-CRC31DK (DARK - with labels) - R0F-CRC31 (BRIGHT - with labels)
	REAR RIM	R0R-CRC31DK (DARK - with labels) - R0R-CRC31 (BRIGHT - with labels)
VALVE HOLE	6,5 mm	
VALVE HOLE BUSHING	R0-114 (for valve seat reduction - 5 pcs)	
DIAMETER	622 X 17C	
BRAKE PADS	for carbon rims - BR-B0500 (for brakes with retention spring or interference fixing) - BR-B0500X1 (for brakes with screw fixing)	

SPOKES

COMPLETE FRONT KIT	R0F-SKB02	16 front spokes
COMPLETE REAR KIT	R0R-SKB02	14 rear right spokes + 7 rear left spokes
COMPLETE FRONT SPOKE	R0-016S (BRIGHT) - R0-016B (DARK)	spoke + nipple
COMPLETE REAR RIGHT SPOKE	R0-019C (BRIGHT) - R0-018B (DARK)	spoke + nipple
COMPLETE REAR LEFT SPOKE	R0-019S (BRIGHT) - R0-019B (DARK)	spoke + nipple
NIPPLES	R0-115S (BRIGHT) / R0-115B (DARK)	10 pcs
TOOL	T-02	spoke anti-rotation
TOOL	T-29	magnet-attractor insert for nipple
TOOL	T-05	nipple-guide magnet
TOOL	T-07	spoke spanner

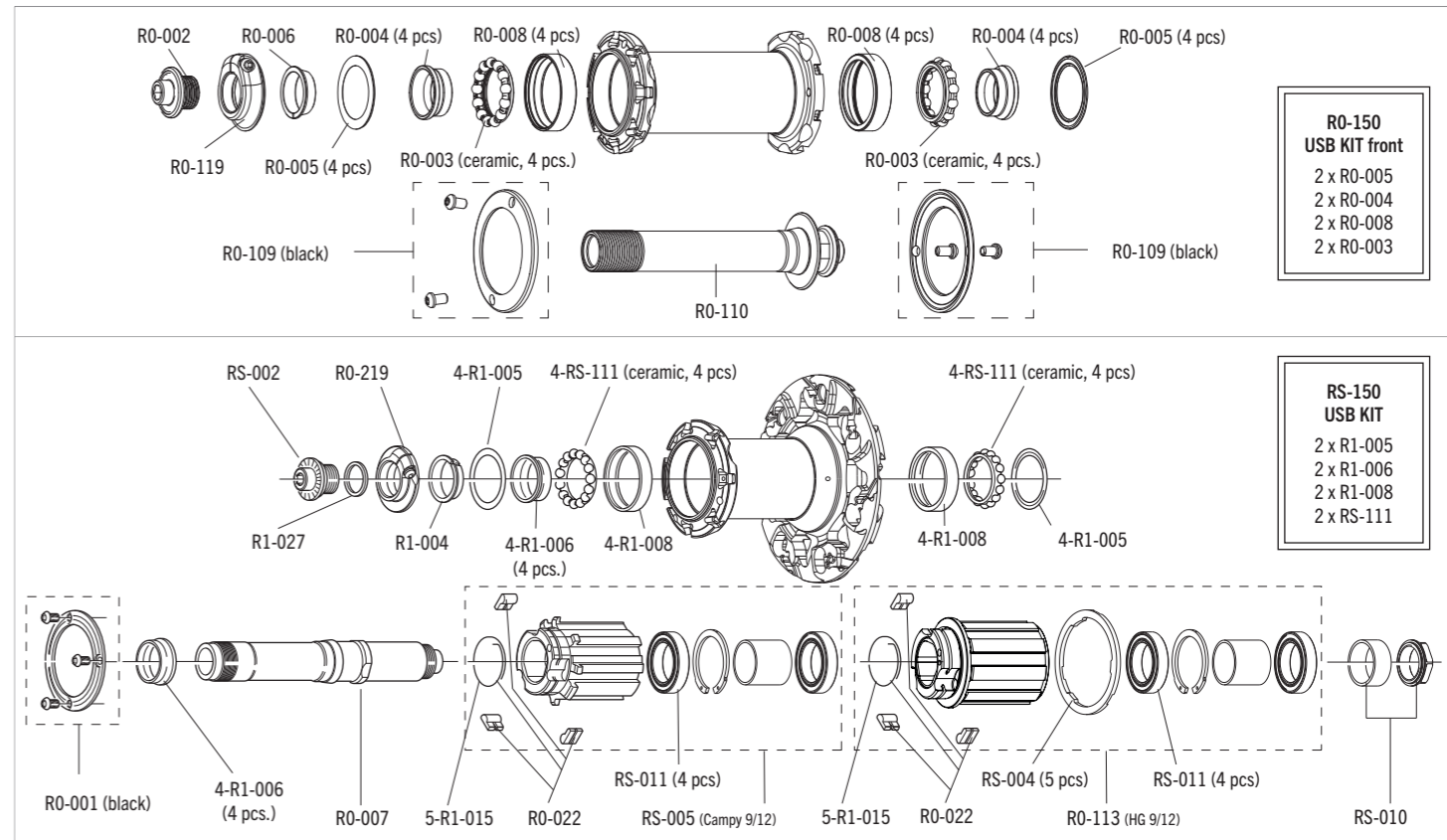
ACCESSORIES

Spacer for HG fw body	RS-004	5 pcs - to be used only with 9/10s sprockets (HG11 FW body package contains the spacer)
-----------------------	--------	--

RACING ZERO™ CARBON CLINCHER

DARK / BRIGHT

HUBS/MOZZI



RACING ZERO™ CLINCHER (MY 2017 – 2021)

RIMS & SPOKES/CERCHI E RAGGI

RIM

	<p>FRONT RIM REAR RIM LABEL KIT VALVE HOLE DIAMETER BRAKE PADS</p>	<p>R0F-CRB21 (no labels) R0R-CRB21 (no labels) R0-LAB17CB (front+rear) 6,5 mm 622 X 17C see "brake pads compatibility table" on www.fulcrumwheels.com</p>
--	--	--

SPOKES

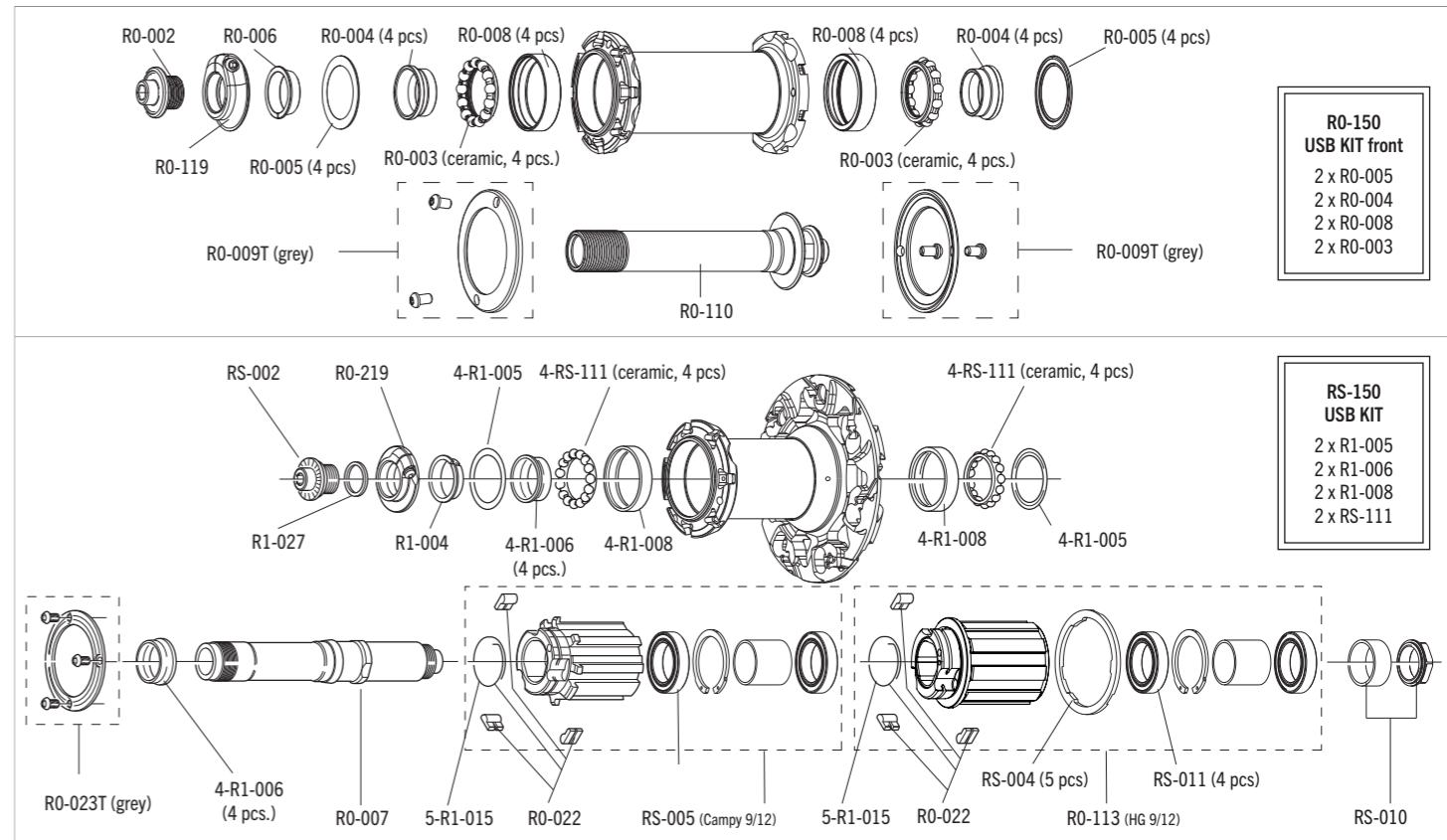
<p>COMPLETE FRONT KIT COMPLETE REAR KIT COMPLETE FRONT COMPLETE REAR RIGHT SPOKE COMPLETE REAR LEFT SPOKE NIPPLES TOOL TOOL TOOL TOOL</p>	<p>R0F-SKB21 R0R-SKB21 R0-117B R0-118B R0-119B R0-115 T-02 T-29 T-05 T-07</p>	<p>16 front spokes 14 rear right spokes + 7 rear left spokes spoke + nipple spoke + nipple spoke + nipple 10 pcs spoke anti-rotation magnet-attractor insert for nipple nipple-guide magnet spoke spanner</p>
---	---	---

ACCESSORIES

<p>Spacer for HG fw body</p>	<p>RS-004</p>	<p>5 pcs - to be used only with 9/10s sprockets (HG11 FW body package contains the spacer)</p>
------------------------------	---------------	--

RACING ZERO™ CLINCHER (MY 2017 – 2021)

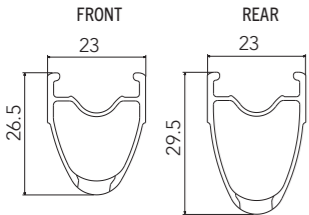
HUBS/MOZZI



RACING ZERO™ 2WF (MY 2022)

RIMS & SPOKES/CERCHI E RAGGI

RIM

	FRONT RIM	R0F-2RB21 (no labels)
	REAR RIM	R0R-2RB21 (no labels)
	LABEL KIT	R0-LAB22 (front+rear)
	VALVE HOLE	6,5 mm
	2-Way Fit VALVE™	M1-035
	VALVE HOLE BUSHING	5-R0-014 (for valve seat reduction - 5 pcs)
	DIAMETER	622 x 17C
	BRAKE PADS	see "brake pads compatibility table" on www.fulcrumwheels.com

SPOKES

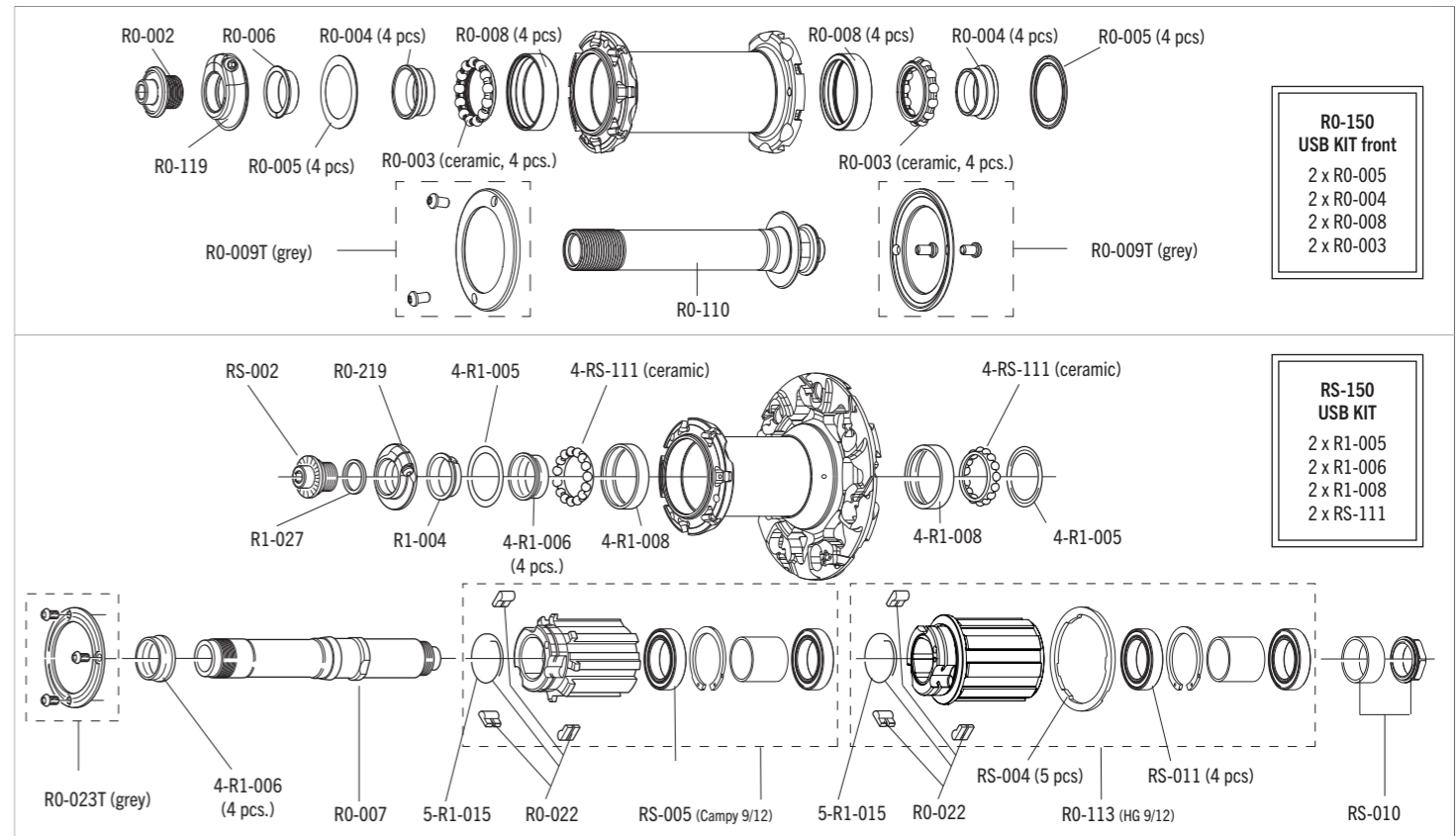
COMPLETE FRONT KIT	R0F-SKB21	16 front spokes
COMPLETE REAR KIT	R0R-SKB21	14 rear right spokes + 7 rear left spokes
COMPLETE FRONT	R0-117B	spoke + nipple
COMPLETE REAR RIGHT SPOKE	R0-118B	spoke + nipple
COMPLETE REAR LEFT SPOKE	R0-119B	spoke + nipple
NIPPLES	R0-115	10 pcs
TOOL	T-02	spoke anti-rotation
TOOL	T-29	magnet-attractor insert for nipple
TOOL	T-05	nipple-guide magnet
TOOL	T-07	spoke spanner

ACCESSORIES

Spacer for HG fw body	RS-004	5 pcs - to be used only with 9/10s sprockets (HG11 FW body package contains the spacer)
-----------------------	--------	--

RACING ZERO™ 2WF (MY 2022)

HUBS/MOZZI



RACING 3™ CLINCHER

RIMS & SPOKES/CERCHI E RAGGI

RIM

	<p>FRONT RIM REAR RIM LABEL KIT VALVE HOLE DIAMETER BRAKE PADS</p>	<p>R3F-CRB31 (with labels) R3R-CRB31 (with labels) R3-LAB18CB (front+rear) 6,5 mm 622 X 17C see "brake pads compatibility table" on www.fulcrumwheels.com</p>
--	--	--

SPOKES

COMPLETE FRONT SPOKE	R3-116	4 spokes + 4 nipples
COMPLETE REAR RIGHT SPOKE	R3-118	4 spokes + 4 nipples
COMPLETE REAR LEFT SPOKE	R3-119	4 spokes + 4 nipples
NIPPLES	R3-015	50 pcs
TOOL	T-28	magnet-attractor insert for nipple
TOOL	T-05	nipple-guide magnet
TOOL	T-02	spoke anti-rotation

ACCESSORIES

Spacer for HG fw body	RS-004	5 pcs - to be used only with 9/10s sprockets (HG11 FW body package contains the spacer)
-----------------------	--------	--

RACING 3™ CLINCHER

HUBS/MOZZI

R3-100 HUB KIT
 2 x R0-005
 2 x R0-004
 2 x R0-008
 2 x R3-010

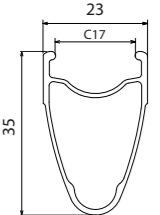
RS-100 HUB KIT
 2 x R1-005
 2 x R1-006
 2 x R1-008
 2 x R1-007

Labels in diagrams include: R0-002, RS-112, R0-005, R3-010 (4 pcs. - steel), R0-008 (4 pcs.), R0-006, R0-004 (4 pcs.), R0-008 (4 pcs.), R3-010 (4 pcs. - steel), R0-004 (4 pcs.), R0-005, RS-017, RS-002, R3-012, 4-R1-005, 4-R1-007 (steel), R1-027, R1-004, 4-R1-006 (4 pcs.), 4-R1-008, 4-R1-008, 4-R1-005, 4-R1-006 (4 pcs.), RS-007, 5-R1-015, R0-022, RS-005 (Campy 9/12), 5-R1-015, R0-022, S9-013 (HG 9/12), RS-011 (4 pcs.), RS-004 (5 pcs.), RS-011 (4 pcs.), RS-010.

RACING 4™ / 400 CLINCHER

RIMS & SPOKES/CERCHI E RAGGI

RIM

	RIM-TAPE LABEL KIT VALVE HOLE DIAMETER BRAKE PADS	R5-RT01 (20.5 mm - 2 pcs) R4-LAB19 (front+rear) - R400-LAB19 (front+rear) 6,5 mm 622 X 17C see "brake pads compatibility table" on www.fulcrumwheels.com
---	---	---

SPOKES

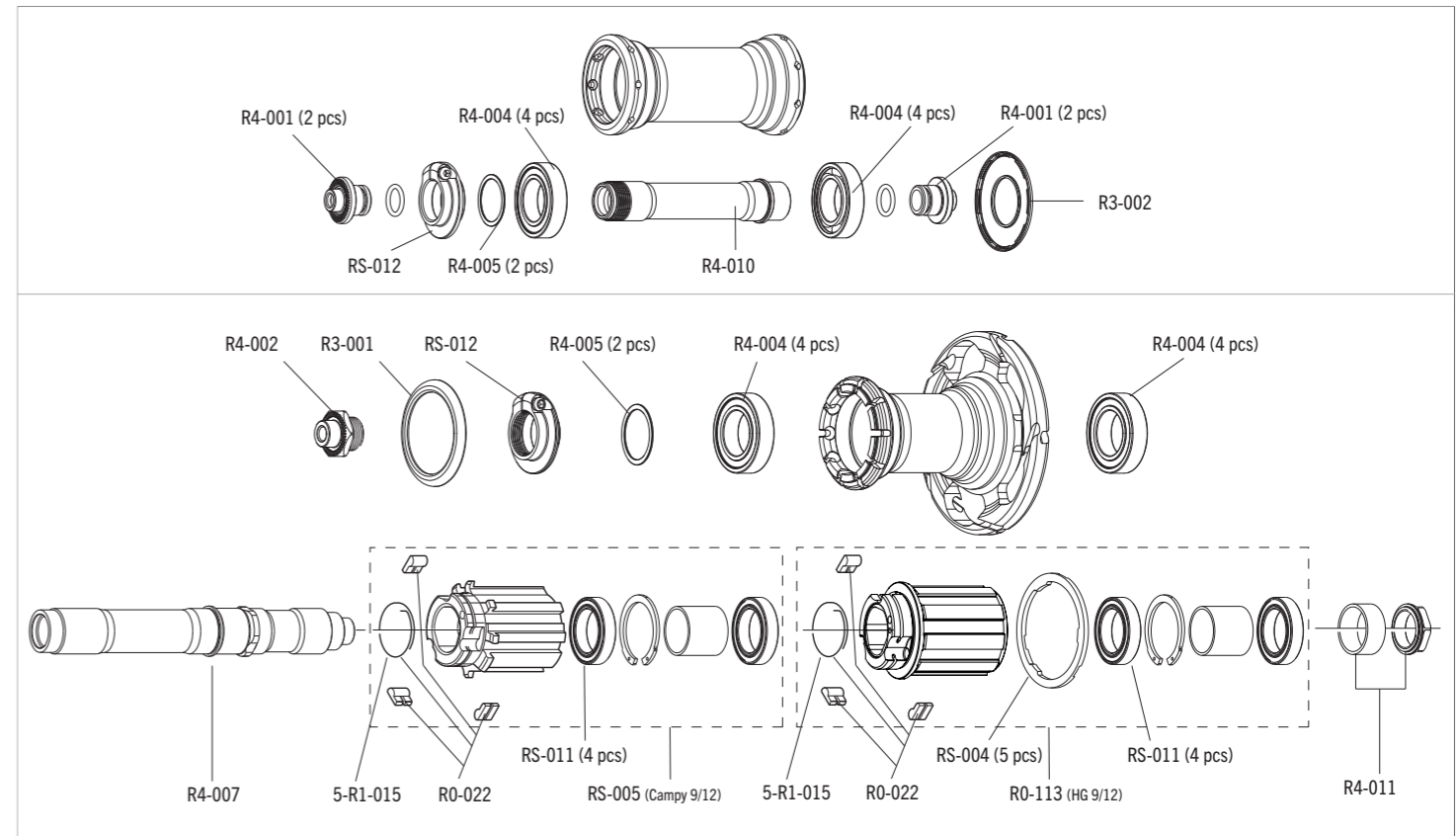
FRONT SPOKE	R4-116	4 spokes + 4 nipples
REAR RIGHT SPOKE	R4-118	4 spokes + 4 nipples
REAR LEFT SPOKE	R4-119	4 spokes + 4 nipples
NIPPLES	R5-B01	50 pcs.

ACCESSORIES

Spacer for HG fw body	RS-004	5 pcs - to be used only with 9/10s sprockets (HG11 FW body package contains the spacer)
-----------------------	--------	--

RACING 4™ / 400 CLINCHER

HUBS/MOZZI



RACING 5™ / 500 CLINCHER

RIMS & SPOKES/CERCHI E RAGGI

RIM

	<p>RIM-TAPE LABEL KIT</p> <p>VALVE HOLE DIAMETER</p> <p>BRAKE PADS</p>	<p>R5-RT01 (20,5 mm - 2 pcs)</p> <p>R5-LAB19 (front+rear) - R500-LAB19 (front+rear)</p> <p>6,5 mm</p> <p>622 X 17C</p> <p>see "brake pads compatibility table" on www.fulcrumwheels.com</p>
--	--	--

SPOKES

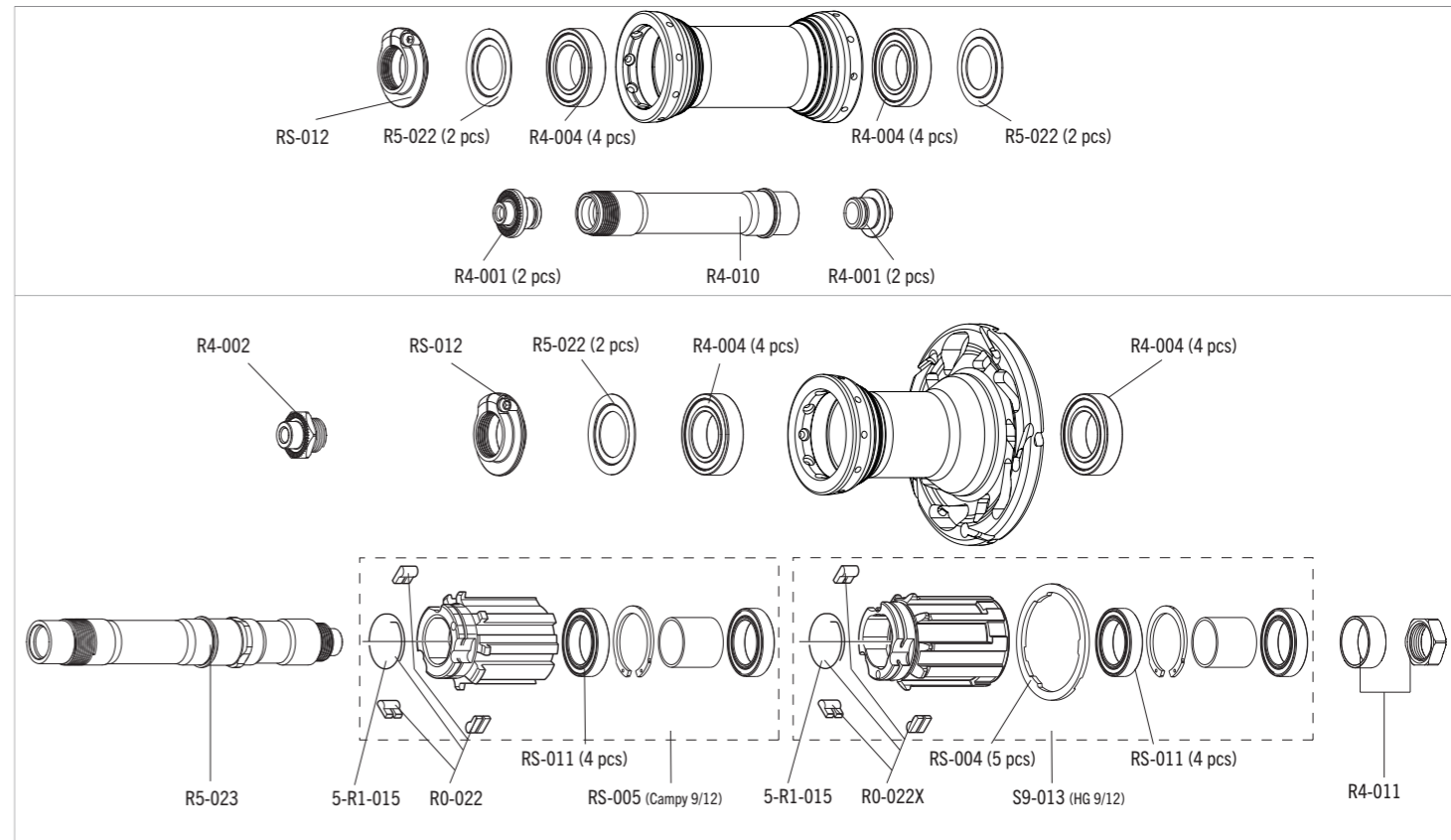
FRONT SPOKE	R5-416	4 spokes + 4 nipples
REAR RIGHT SPOKE	R5-418	4 spokes + 4 nipples
REAR LEFT SPOKE	R5-419	4 spokes + 4 nipples
NIPPLES	R5-B01	50 pcs

ACCESSORIES

Spacer for HG fw body	RS-004	5 pcs - to be used only with 9/10s sprockets (HG11 FW body package contains the spacer)
-----------------------	--------	--

RACING 5™ / 500 CLINCHER

HUBS/MOZZI



RACING 6™ / 600 CLINCHER

RIMS & SPOKES/CERCHI E RAGGI

RIM

	<p>RIM-TAPE LABEL KIT</p> <p>VALVE HOLE DIAMETER</p> <p>BRAKE PADS</p>	<p>R5-RT01 (20,5 mm - 2 pcs)</p> <p>R6-LAB19 (front+rear) - R600-LAB19 (front+rear)</p> <p>6,5 mm</p> <p>622 X 17C</p> <p>see "brake pads compatibility table" on www.fulcrumwheels.com</p>
--	--	--

SPOKES

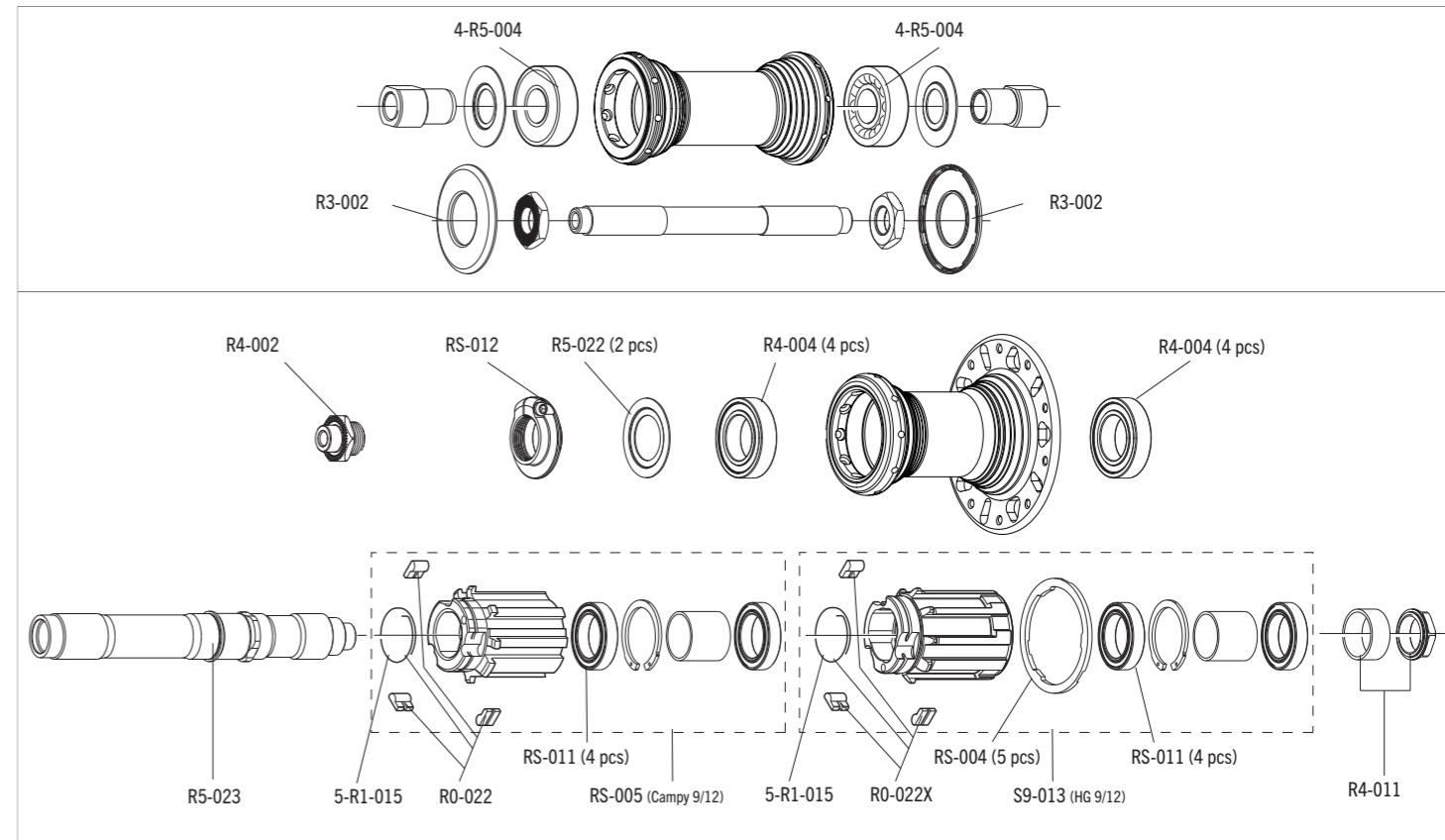
FRONT SPOKE	R6-016	4 spokes + 4 nipples
REAR RIGHT SPOKE	R6-018	4 spokes + 4 nipples
REAR LEFT SPOKE	R6-019	4 spokes + 4 nipples
NIPPLES	RZ7-B	50 pcs

ACCESSORIES

Spacer for HG fw body	RS-004	5 pcs - to be used only with 9/10s sprockets (HG11 FW body package contains the spacer)
-----------------------	--------	--

RACING 6™ / 600 CLINCHER

HUBS/MOZZI



RACING 900 CLINCHER

RIMS & SPOKES/CERCHI E RAGGI

RIM

		VALVE HOLE DIAMETER	6,5 mm 622 X 17C
--	--	------------------------	---------------------

SPOKES

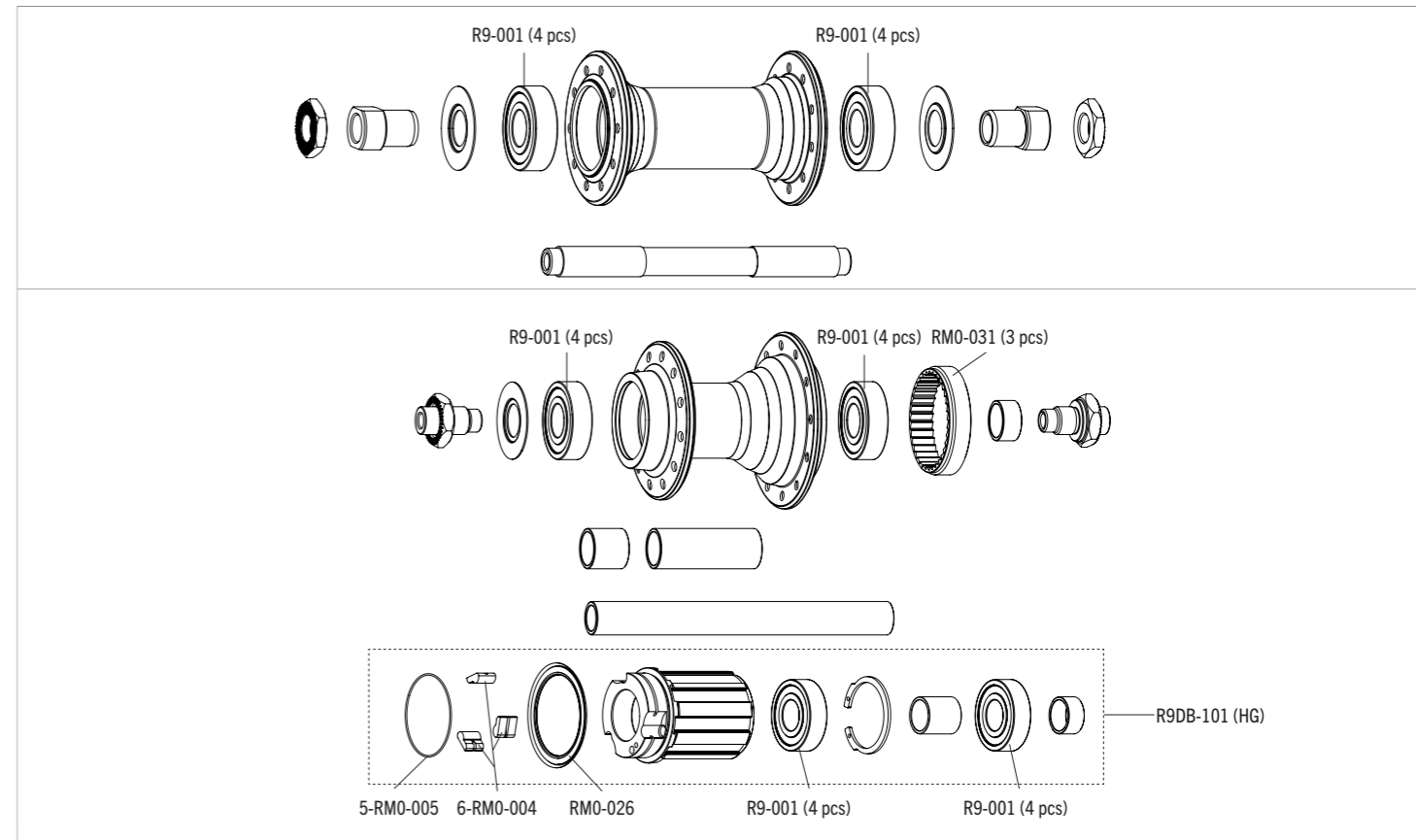
FRONT SPOKE L. 277	R9-016	4 spokes + 4 nipples
REAR RIGHT SPOKE L. 283.5	R9-018	4 spokes + 4 nipples
REAR LEFT SPOKE L. 272.5	R9DB-019	4 spokes + 4 nipples
NIPPLES	50-R3-N	50 pcs

ACCESSORIES

Spacer for HG fw body	RS-004	5 pcs - to be used only with 9/10s sprockets (HG11 FW body package contains the spacer)
-----------------------	--------	--

RACING 900 CLINCHER

HUBS/MOZZI



SPEED 360T™ tubular

RIM & HUB / CERCHIO E MOZZO

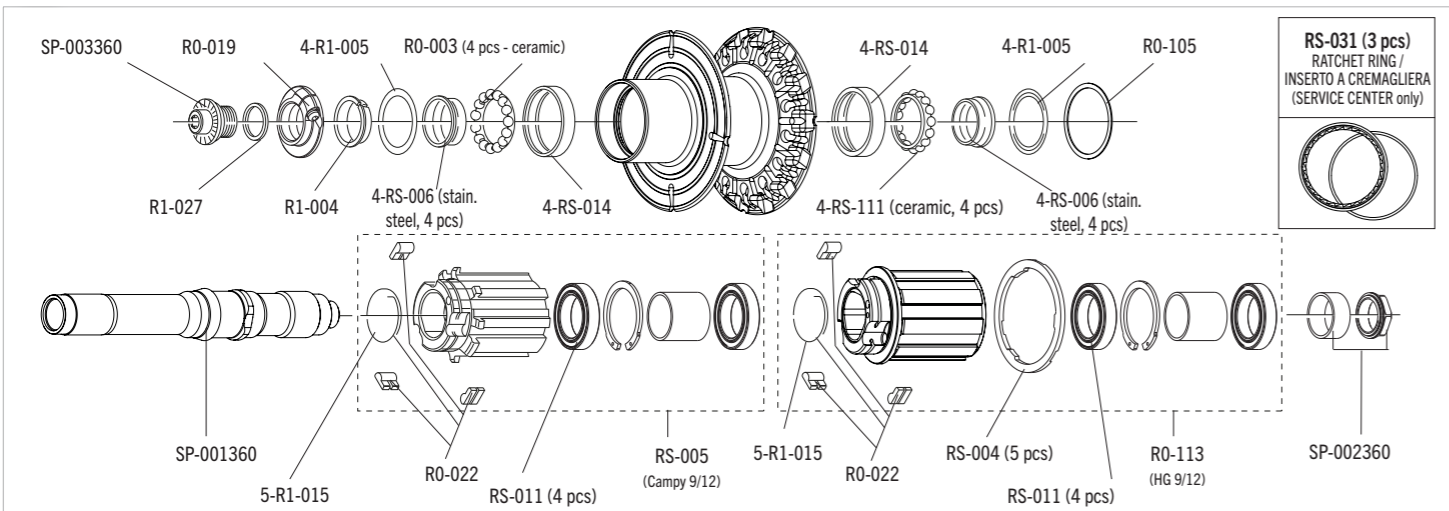
RIM

LABEL FOR VALVE HOLE	RC-100 (5 pcs)
VALVE HOLE BUSHINGS	RWX-014 (5 pcs)
VALVE EXTENSION	T-15M (male valve extension)
BRAKE SHOES	for carbon rims - BR-B0500 (for brakes with retention spring or interference fixing) - BR-B0500X1 (for brakes with screw fixing)

ACCESSORIES

Spacer for HG fw body	RS-004	5 pcs - to be used only with 9/10s sprockets (HG11 FW body package contains the spacer)
-----------------------	--------	--

HUB



VALVE EXTENSIONS

NOTE:
USE AIR CHAMBERS (INNER TUBES) WITH A LONG VALVE (AT LEAST 35 mm).

PROFILE RIM	MALE VALVE ADAPTER (SUPPLIED)	
RED WIND/RED WIND XLR H50	T-15M	L = 35 mm
RED WIND/RED WIND XLR H80	T-16M	L = 65 mm
RED WIND/RED WIND XLR H105	T-17M	L = 90 mm
RACING SPEED XLR H80	T-19M	L = 74 mm

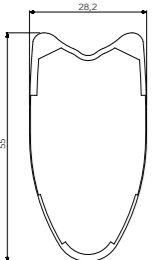
PROFILE RIM	FEMALE VALVE ADAPTER (OPTION)	
RED WIND/RED WIND XLR H50	T-15F	L = 37 mm
RED WIND/RED WIND XLR H80	T-16F	L = 67 mm
RED WIND/RED WIND XLR H105	T-17F	L = 92 mm
RACING SPEED XLR H80	T-19F	L = 80 mm

SPEED 55T DB tubular

AFS

RIMS & SPOKES/CERCHI E RAGGI

RIM

	<p>FRONT/REAR RIM VALVE HOLE VALVE HOLE BUSHING DIAMETER</p>	<p>RSDB-R55T19 (with labels) 6,5 mm RWX-014 (for valve seat reduction - 5 pcs) 622 x 26,5 mm</p>
---	--	--

SPOKES

<p>FRONT LEFT / REAR RIGHT FRONT RIGHT REAR LEFT NIPPLES</p>	<p>RSDB-DS293 RSDB-DS294 RSDB-DS295 RWX-B</p>	<p>4 spokes + 4 nipples 4 spokes + 4 nipples 4 spokes + 4 nipples 50 pcs.</p>
--	---	---

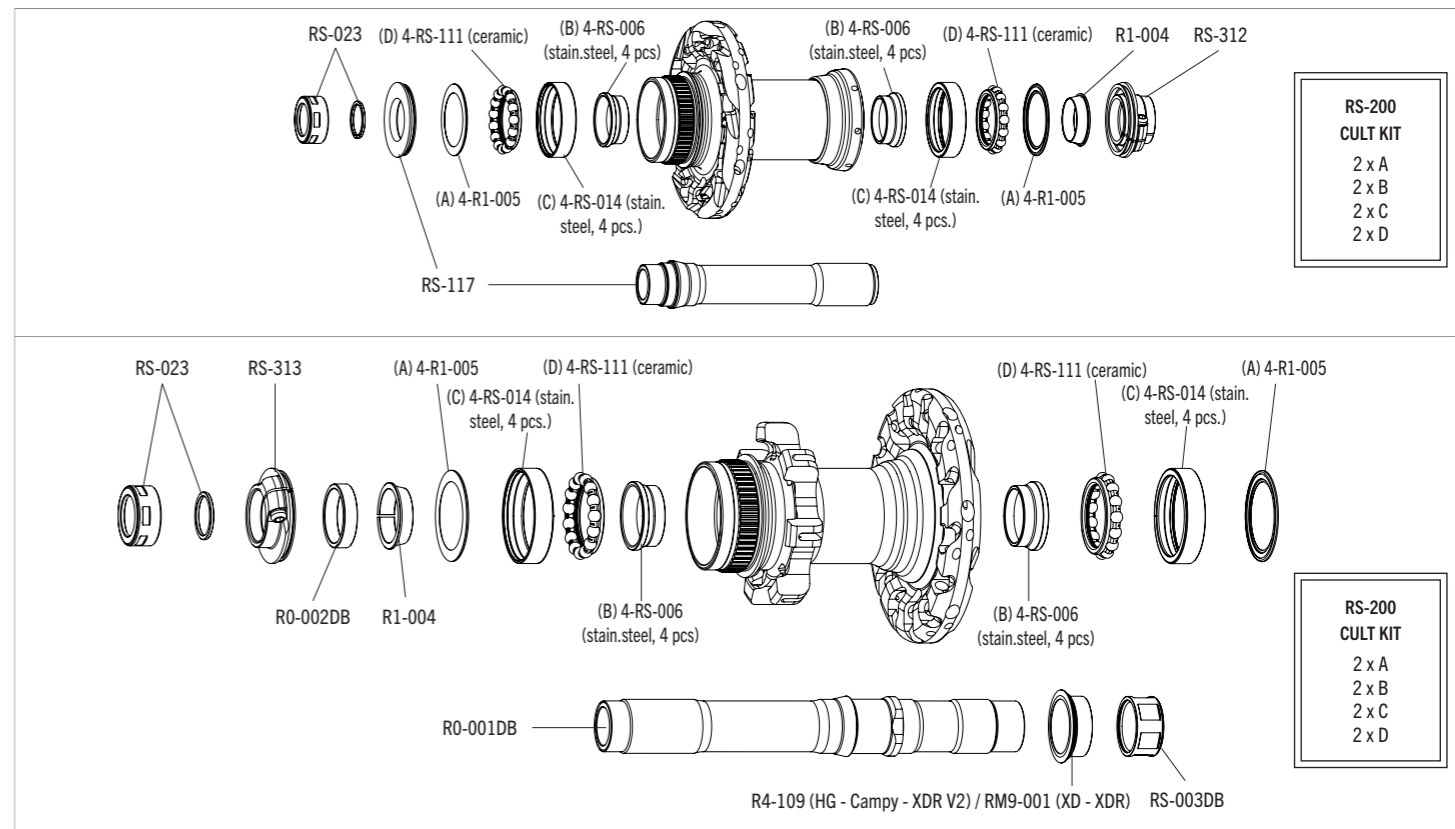
ACCESSORIES

<p>Spacer for HG fw body</p>	<p>RS-004</p>	<p>5 pcs - to be used only with 9/10s sprockets (HG11 FW body package contains the spacer)</p>
------------------------------	---------------	--

SPEED 55T DB tubular

AFS

HUBS/MOZZI



Complete FW body / Corpetti RL completi

R0-113 (HG 9/12) - RS-005 (Campagnolo) - R0-126 (XDR V2)

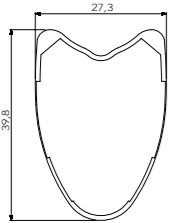
See exploded view pag. 132

SPEED 40T DB tubular

AFS

RIMS & SPOKES/CERCHI E RAGGI

RIM

	FRONT/REAR RIM	RSDB-R40T19 (with labels)
	VALVE HOLE VALVE HOLE BUSHING DIAMETER	6,5 mm RWX-014 (for valve seat reduction - 5 pcs) 622 x 26,5 mm

SPOKES

FRONT LEFT / REAR RIGHT	RSDB-DS290	4 spokes + 4 nipples
FRONT RIGHT	RSDB-DS291	4 spokes + 4 nipples
REAR LEFT	RSDB-DS292	4 spokes + 4 nipples
NIPPLES	RWX-B	10 pcs.

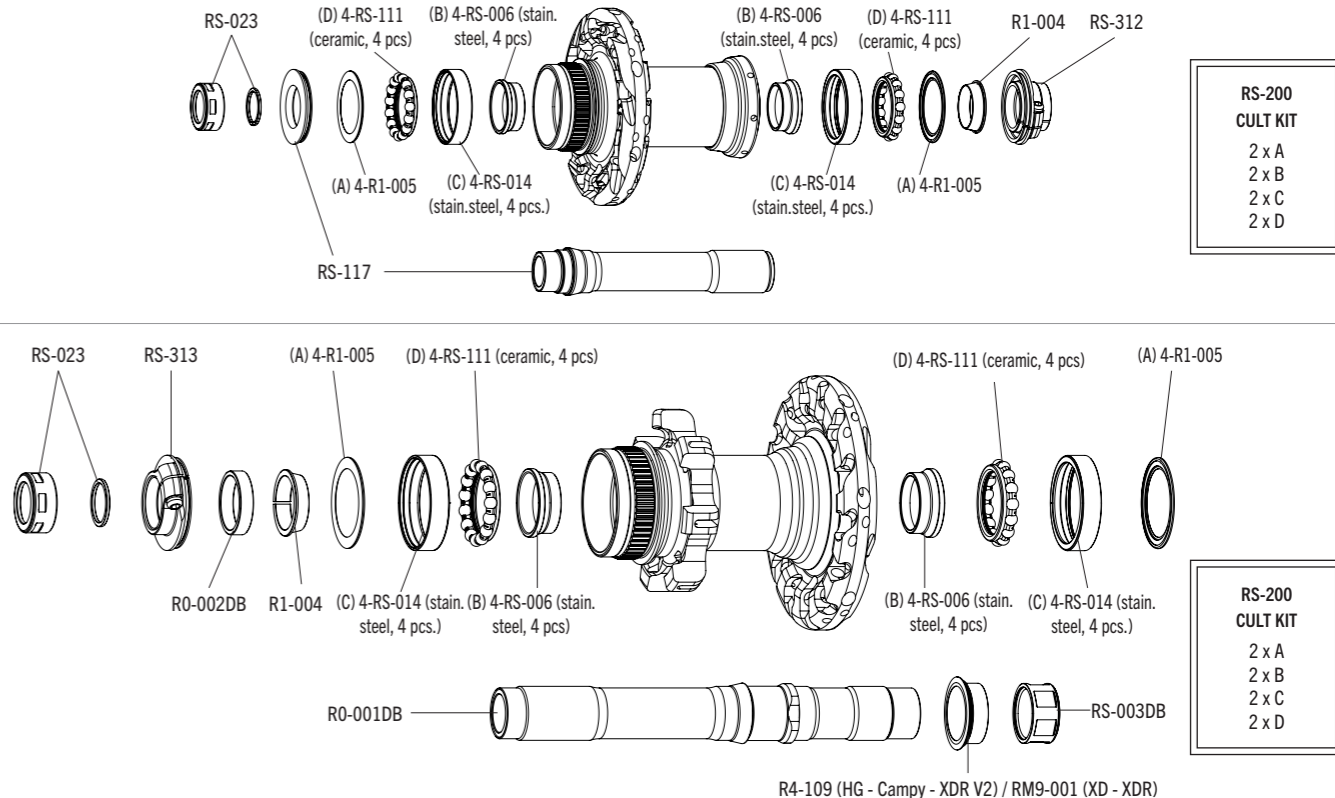
ACCESSORIES

Spacer for HG fw body	RS-004	5 pcs - to be used only with 9/10s sprockets (HG11 FW body package contains the spacer)
-----------------------	--------	--

SPEED 40T DB tubular

AFS

HUBS/MOZZI



RS-200 CULT KIT
2 x A
2 x B
2 x C
2 x D

RS-200 CULT KIT
2 x A
2 x B
2 x C
2 x D

R4-109 (HG - Campy - XDR V2) / RM9-001 (XD - XDR)

SPEED 55 CMPTZN DB 2WF

AFS

RIMS & SPOKES/CERCHI E RAGGI

RIM

	<p>FRONT/REAR RIM VALVE HOLE BUSHINGS DIAMETER</p>	<p>SPDBCM-2WF55 (with labels) RWX-014 (5 pcs) 622 x C19</p>
---	--	---

SPOKES

<p>FRONT LEFT / REAR RIGHT FRONT RIGHT REAR LEFT NIPPLES</p>	<p>SPDB55-016 SPDB55-017 SPDB55-019 50-EMF-015ALB</p>	<p>4 spokes + 4 nipples 4 spokes + 4 nipples 4 spokes + 4 nipples 10 pcs.</p>
--	---	---

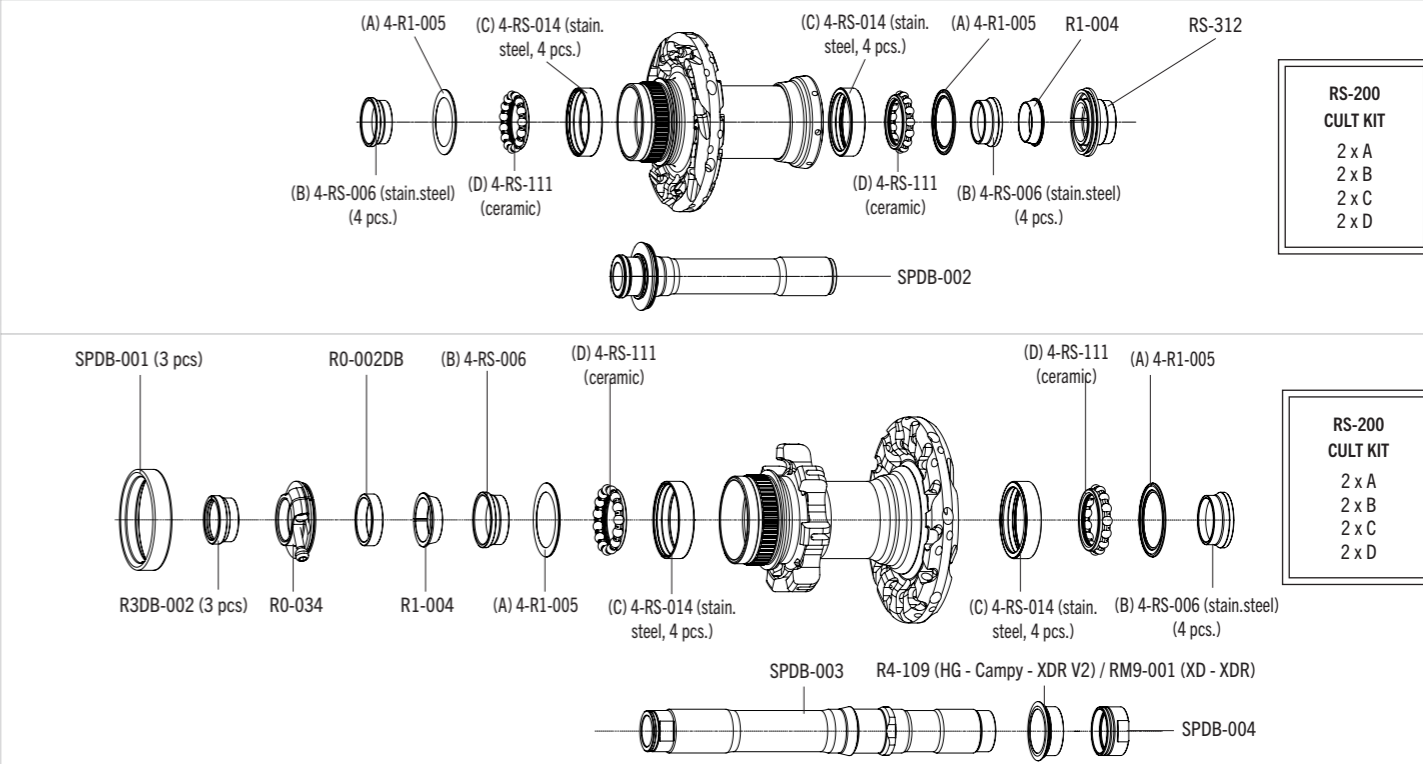
ACCESSORIES

<p>Spacer for HG fw body</p>	<p>RS-004</p>	<p>5 pcs - to be used only with 9/10s sprockets (HG11 FW body package contains the spacer)</p>
------------------------------	---------------	--

SPEED 55 CMPTZN DB 2WF

AFS

HUBS/MOZZI



Complete FW body / Corpetti RL completi

R0-113 (HG 9/12) - RS-005 (Campagnolo) - R0-126 (XDR V2)

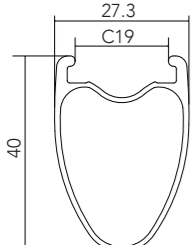
See exploded view pag. 132

SPEED 40 CMPTZN DB 2WF

AFS

RIMS & SPOKES/CERCHI E RAGGI

RIM

	<p>FRONT/REAR RIM VALVE HOLE BUSHINGS DIAMETER</p>	<p>SPDBCM-2WF40 (with labels) RWX-014 (5 pcs) 622 x C19</p>
---	--	---

SPOKES

<p>FRONT LEFT / REAR RIGHT FRONT RIGHT REAR LEFT NIPPLES</p>	<p>RSDB-DS290 RSDB-DS291 RSDB-DS292 RWX-B</p>	<p>4 spokes + 4 nipples 4 spokes + 4 nipples 4 spokes + 4 nipples 10 pcs.</p>
--	---	---

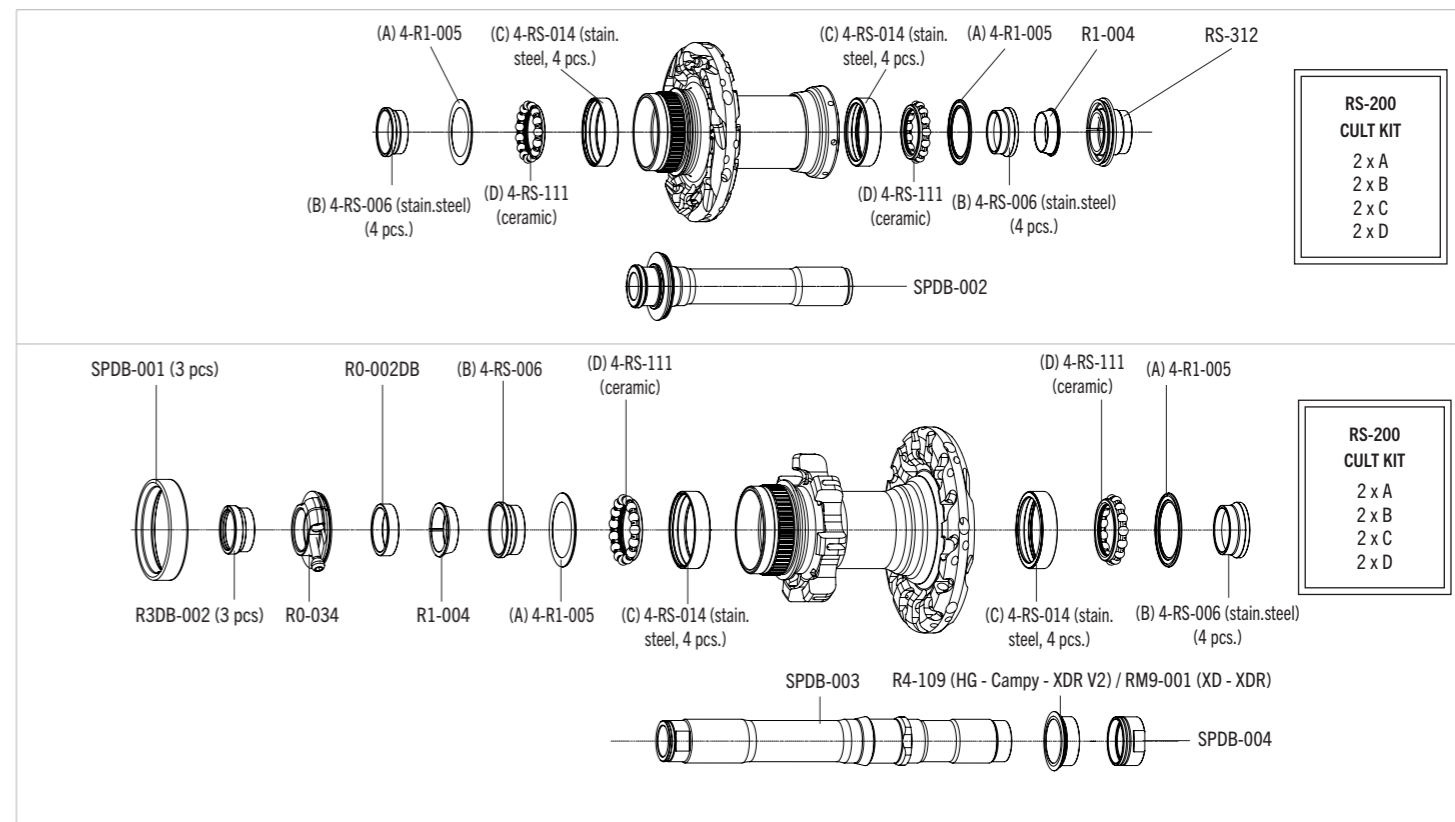
ACCESSORIES

<p>Spacer for HG fw body</p>	<p>RS-004</p>	<p>5 pcs - to be used only with 9/10s sprockets (HG11 FW body package contains the spacer)</p>
------------------------------	---------------	--

SPEED 40 CMPTZN DB 2WF

AFS

HUBS/MOZZI



Complete FW body / Corpetti RL completi

R0-113 (HG 9/12) - RS-005 (Campagnolo) - R0-126 (XDR V2)

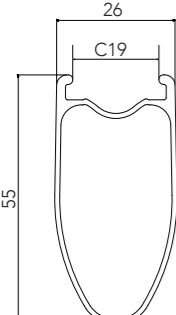
See exploded view pag. 132

SPEED 55 DB 2WF

AFS

RIMS & SPOKES/CERCHI E RAGGI

RIM

	<p>FRONT/REAR RIM VALVE HOLE BUSHINGS DIAMETER</p>	<p>SPDB-2WF55 (with labels) RWX-014 (5 pcs) 622 x C19</p>
---	--	---

SPOKES

<p>FRONT LEFT / REAR RIGHT FRONT RIGHT REAR LEFT NIPPLES</p>	<p>SPDB55-016 SPDB55-017 SPDB55-019 50-EMF-015ALB</p>	<p>4 spokes + 4 nipples 4 spokes + 4 nipples 4 spokes + 4 nipples 10 pcs.</p>
--	---	---

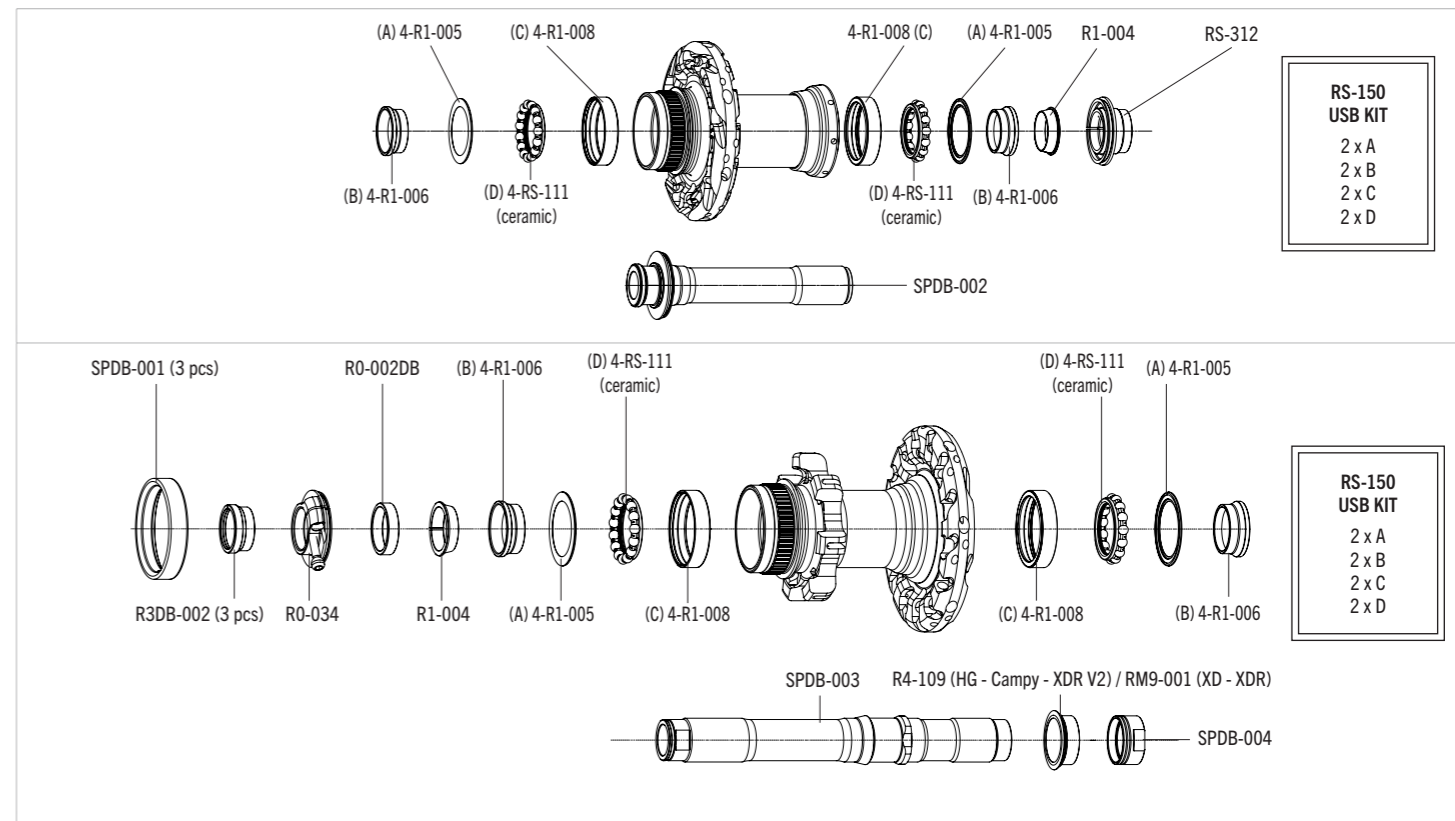
ACCESSORIES

<p>Spacer for HG fw body</p>	<p>RS-004</p>	<p>5 pcs - to be used only with 9/10s sprockets (HG11 FW body package contains the spacer)</p>
------------------------------	---------------	--

SPEED 55 DB 2WF

AFS

HUBS/MOZZI

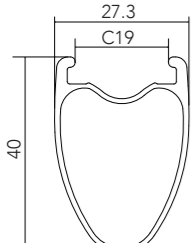


SPEED 40 DB 2WF

AFS

RIMS & SPOKES/CERCHI E RAGGI

RIM

	<p>FRONT/REAR RIM VALVE HOLE BUSHINGS DIAMETER</p>	<p>SPDB-2WF40 (with labels) RWX-014 (5 pcs) 622 x C19</p>
---	--	---

SPOKES

<p>FRONT LEFT / REAR RIGHT FRONT RIGHT REAR LEFT NIPPLES</p>	<p>RSDB-DS290 RSDB-DS291 RSDB-DS292 RWX-B</p>	<p>4 spokes + 4 nipples 4 spokes + 4 nipples 4 spokes + 4 nipples 10 pcs.</p>
--	---	---

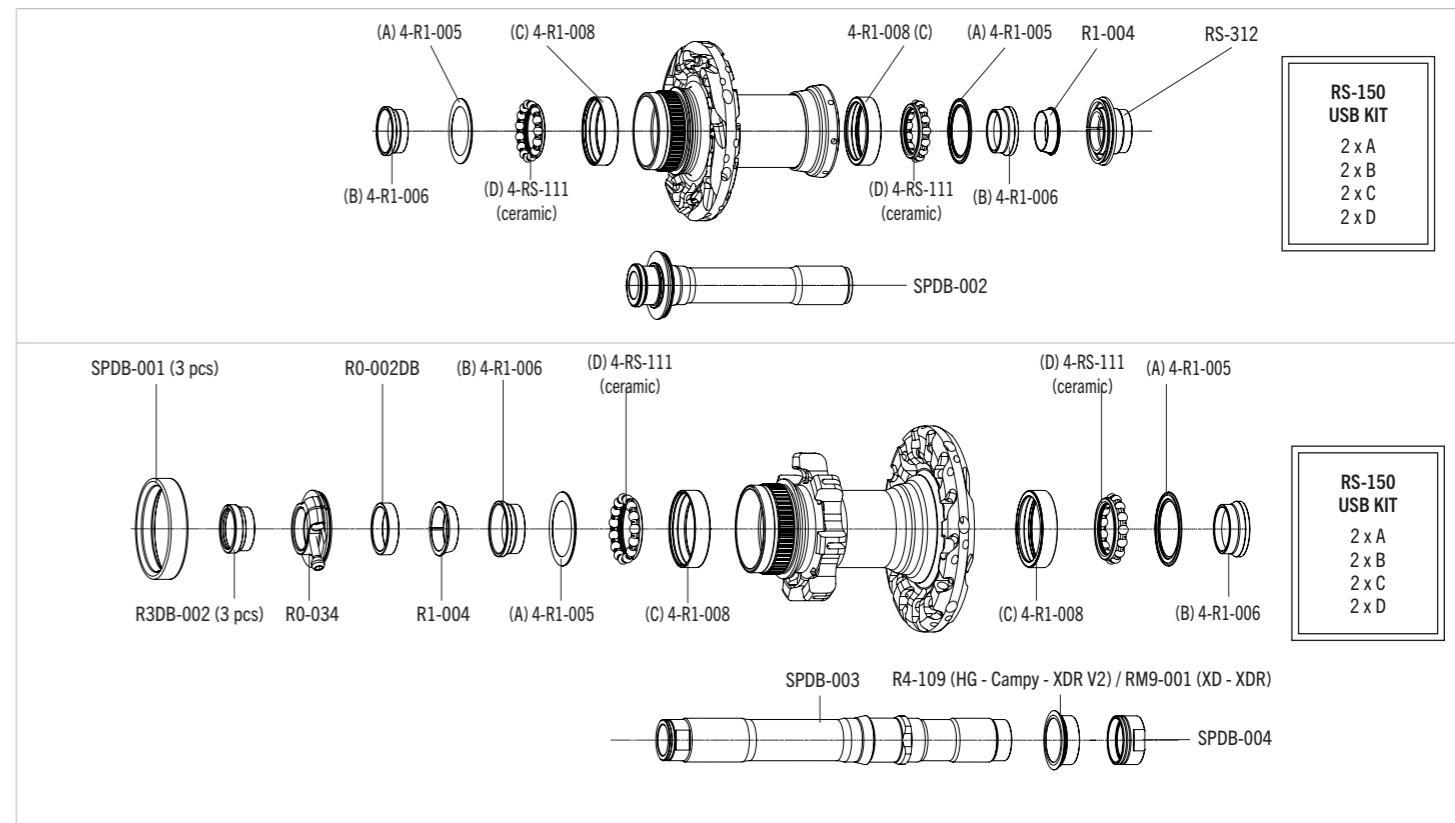
ACCESSORIES

<p>Spacer for HG fw body</p>	<p>RS-004</p>	<p>5 pcs - to be used only with 9/10s sprockets (HG11 FW body package contains the spacer)</p>
------------------------------	---------------	--

SPEED 40 DB 2WF

AFS

HUBS/MOZZI



Complete FW body / Corpetti RL completi

R0-113 (HG 9/12) - RS-005 (Campagnolo) - R0-126 (XDR V2)

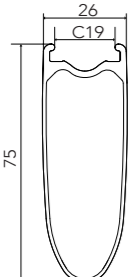
See exploded view pag. 132

WIND 75 DB

AFS

RIMS & SPOKES/CERCHI E RAGGI

RIM

	<p>FRONT/REAR RIM LABEL KIT VALVE HOLE VALVE HOLE BUSHINGS DIAMETER</p>	<p>W75DB-FR21 (with labels) W75DB-LAB21 (front + rear Wind 75 DB) - W750DB-LAB21 (front + rear Wind 750 DB) 6,5 mm RWX-014 (5 pcs) 622 x 19C</p>
---	---	---

SPOKES

<p>FRONT RH SPOKE L. 243,5 FRONT LH/REAR RH SPOKE L. 248 REAR LH L.244,5 NIPPLES</p>	<p>W75DB-016 W75DB-017 W75DB-018 50-EMF-015ALB</p>	<p>4 spokes + 4 nipples 4 spokes + 4 nipples 4 spokes + 4 nipples 50 pcs</p>
--	--	--

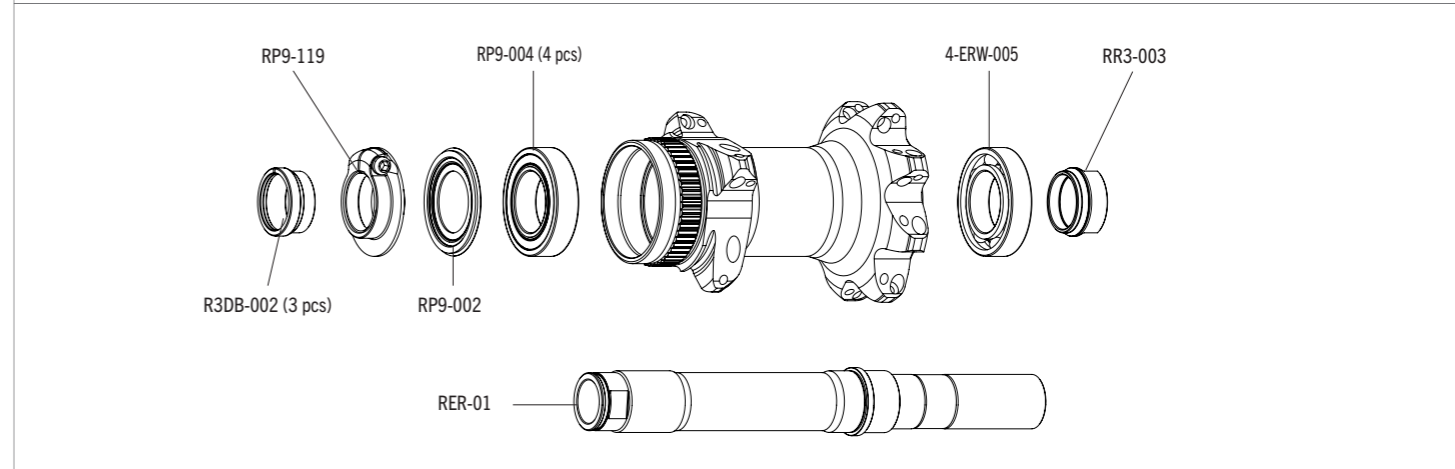
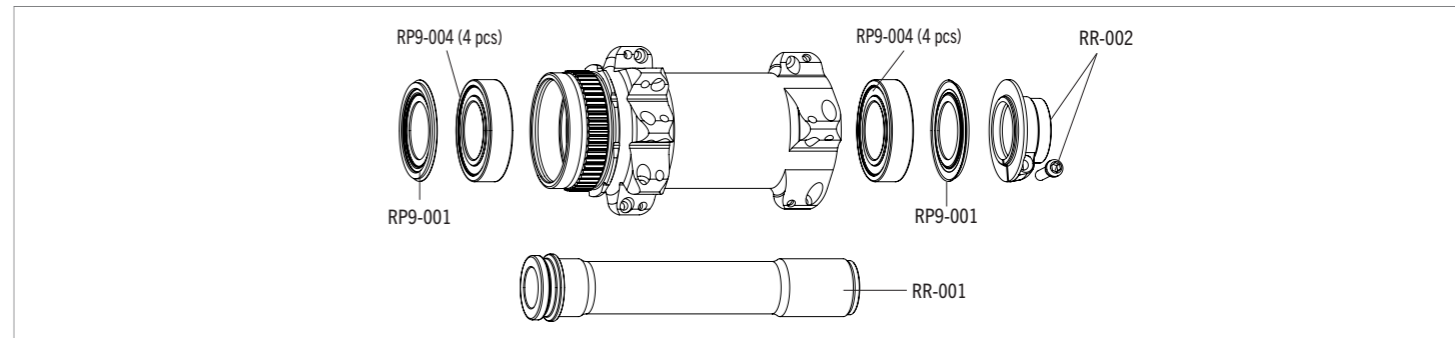
ACCESSORIES

<p>Spacer for HG fw body</p>	<p>RS-004</p>	<p>5 pcs - to be used only with 9/10s sprockets (HG11 FW body package contains the spacer)</p>
------------------------------	---------------	--

WIND 75 DB

AFS

HUBS/MOZZI



Complete FW body Ø 33 mm / Corpetti RL completi Ø 33 mm

R0-201 (HG 9/12) - R0-203 (Campy N3W for 13s / buy from Campy adapter AC21-N3W for 11-12s) - R0-202 (XDR)

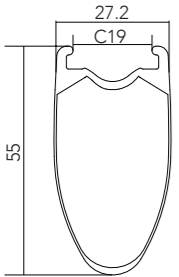
See exploded view pag. 132

WIND 55 / 550 DB

AFS

RIMS & SPOKES/CERCHI E RAGGI

RIM

	<p>FRONT/REAR RIM LABEL KIT VALVE HOLE BUSHINGS DIAMETER</p>	<p>W55DB-FR20 (with labels) W55DB-LAB20 (front+rear Wind 55 DB) - W550DB-LAB20 (front+rear Wind 550 DB) RWX-014 (5 pcs) 622 x C19</p>
---	--	---

SPOKES

<p>SPOKES (front LH+rear RH) SPOKES (front RH+rear LH) NIPPLES</p>	<p>W55DB-001 W55DB-002 RWX-B</p>	<p>4 spokes + 4 nipples 4 spokes + 4 nipples 10 pcs.</p>
--	--	--

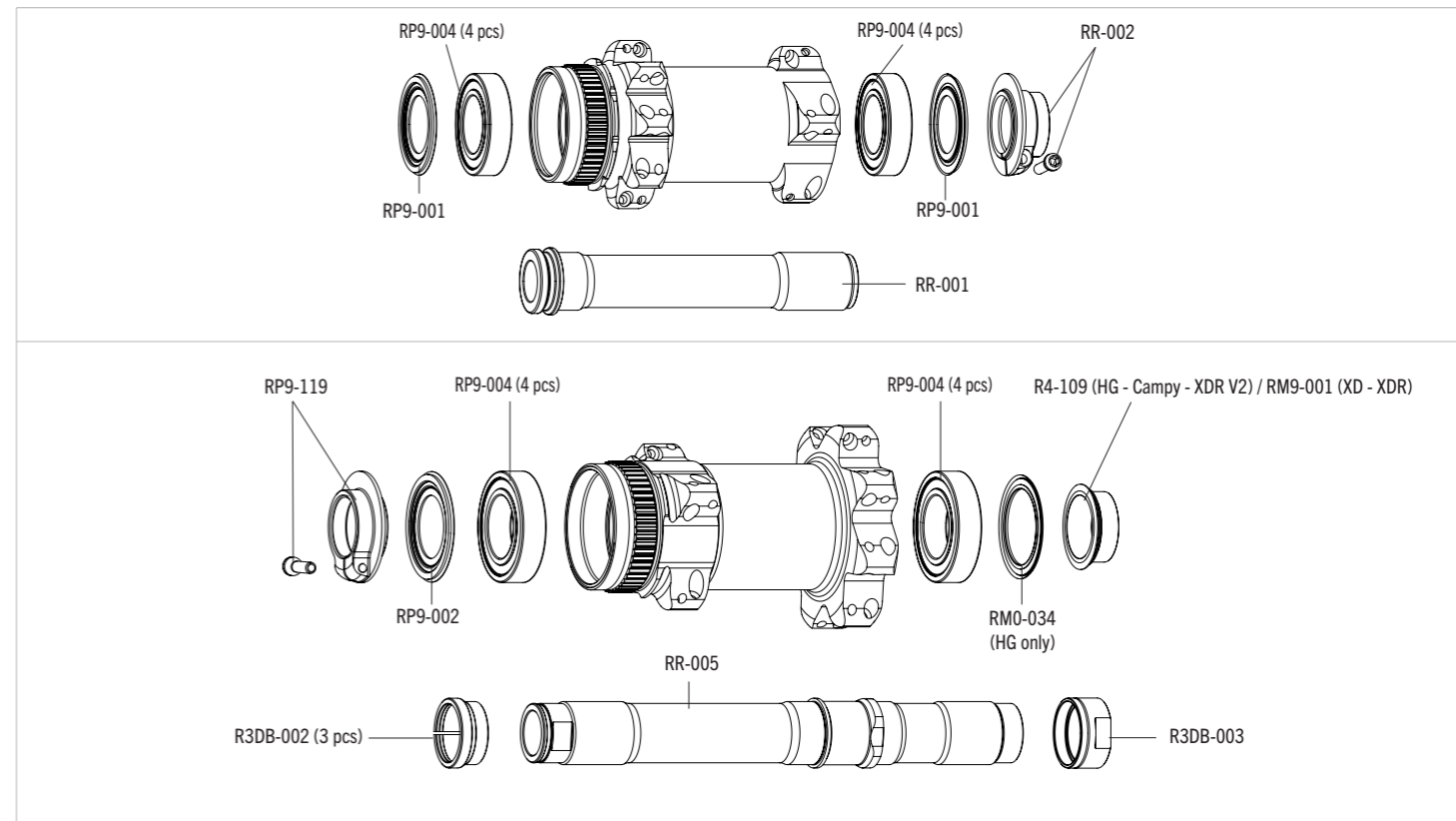
ACCESSORIES

<p>Spacer for HG fw body</p>	<p>RS-004</p>	<p>5 pcs - to be used only with 9/10s sprockets (HG11 FW body package contains the spacer)</p>
------------------------------	---------------	--

WIND 55 / 550 DB

AFS

HUBS/MOZZI



Complete FW body / Corpetti RL completi

R0-113 (HG 9/12) - RS-005 (Campagnolo) - R0-126 (XDR V2)

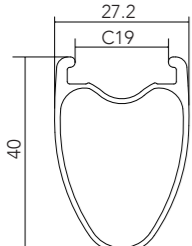
See exploded view pag. 132

WIND 40 / 400 DB

AFS

RIMS & SPOKES/CERCHI E RAGGI

RIM

	<p>FRONT/REAR RIM LABEL KIT VALVE HOLE BUSHINGS DIAMETER</p>	<p>W40DB-FR20 (with labels) W40DB-LAB20 (front+rear Wind 40 DB) - W400DB-LAB20 (front+rear Wind 400 DB) RWX-014 (5 pcs) 622 x C19</p>
---	--	---

SPOKES

<p>SPOKE L. 283,5 (front LH+rear RH) SPOKE L. 279,5 (front RH+rear LH) NIPPLES</p>	<p>W40DB-001 W40DB-002 RWX-B</p>	<p>4 spokes + 4 nipples 4 spokes + 4 nipples 10 pcs.</p>
--	--	--

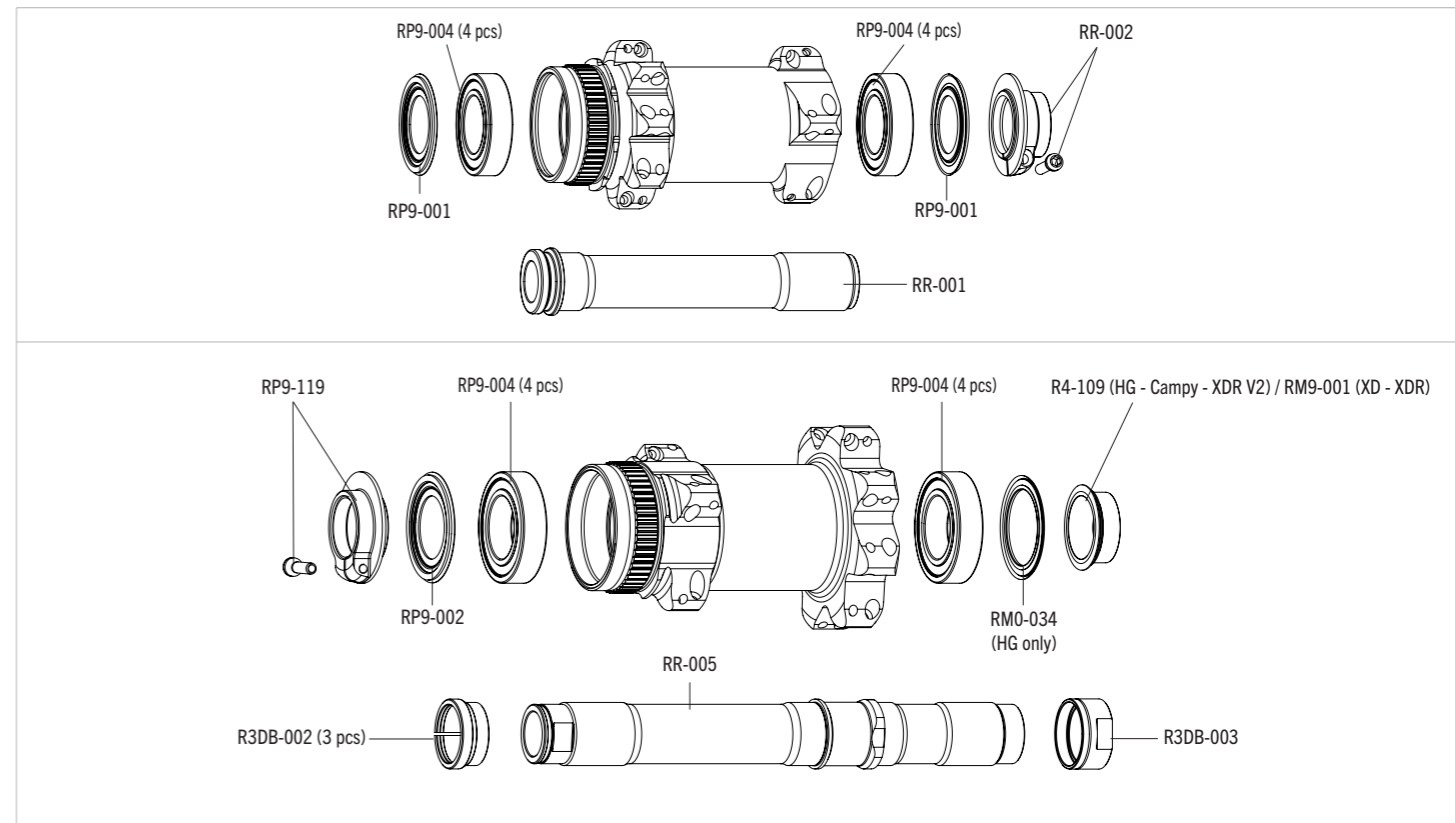
ACCESSORIES

<p>Spacer for HG fw body</p>	<p>RS-004</p>	<p>5 pcs - to be used only with 9/10s sprockets (HG11 FW body package contains the spacer)</p>
------------------------------	---------------	--

WIND 40 / 400 DB

AFS

HUBS/MOZZI

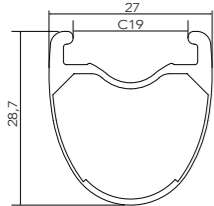


RACING ZERO CARBON CMPTZN DB

AFS

RIMS & SPOKES/CERCHI E RAGGI

RIM

	FRONT RIM	ROCCDB-F01
	REAR RIM	ROCCDB-R01
VALVE HOLE	6 mm	
VALVE HOLE BUSHING	R0-114 (for valve seat reduction - 5 pcs)	
DIAMETER	622 x C19	

SPOKES

COMPLETE FRONT KIT	ROCDB-F001	14 left + 7 rear
COMPLETE REAR KIT	ROCDB-R002	7 left + 14 rear
FRONT LEFT/REAR RIGHT	ROCDB-003	1 spokes + 1 nipples
FRONT RIGHT	ROCDB-004	1 spokes + 1 nipples
REAR LEFT	ROCDB-005	1 spokes + 1 nipples
NIPPLES	R0-115B	10 pcs.

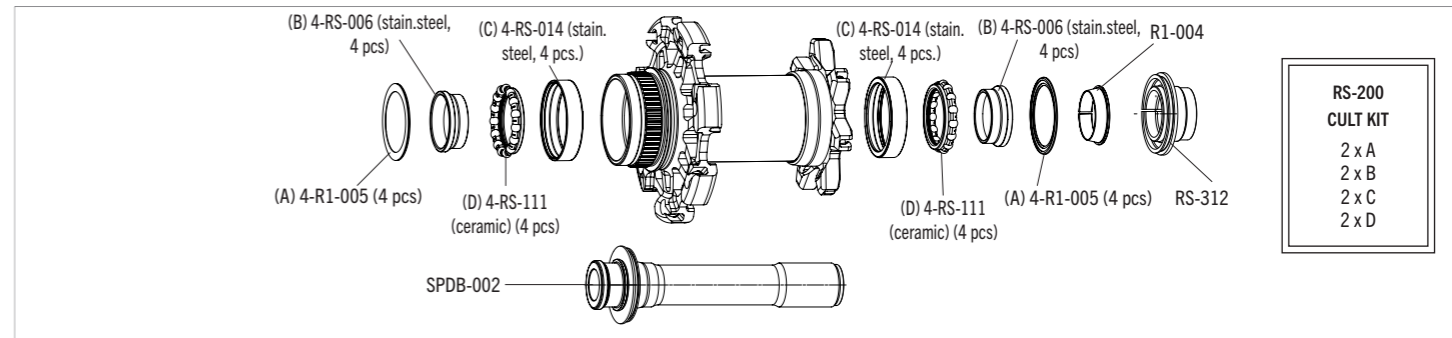
ACCESSORIES

Spacer for HG fw body	RS-004	5 pcs - to be used only with 9/10s sprockets (HG11 FW body package contains the spacer)
-----------------------	--------	--

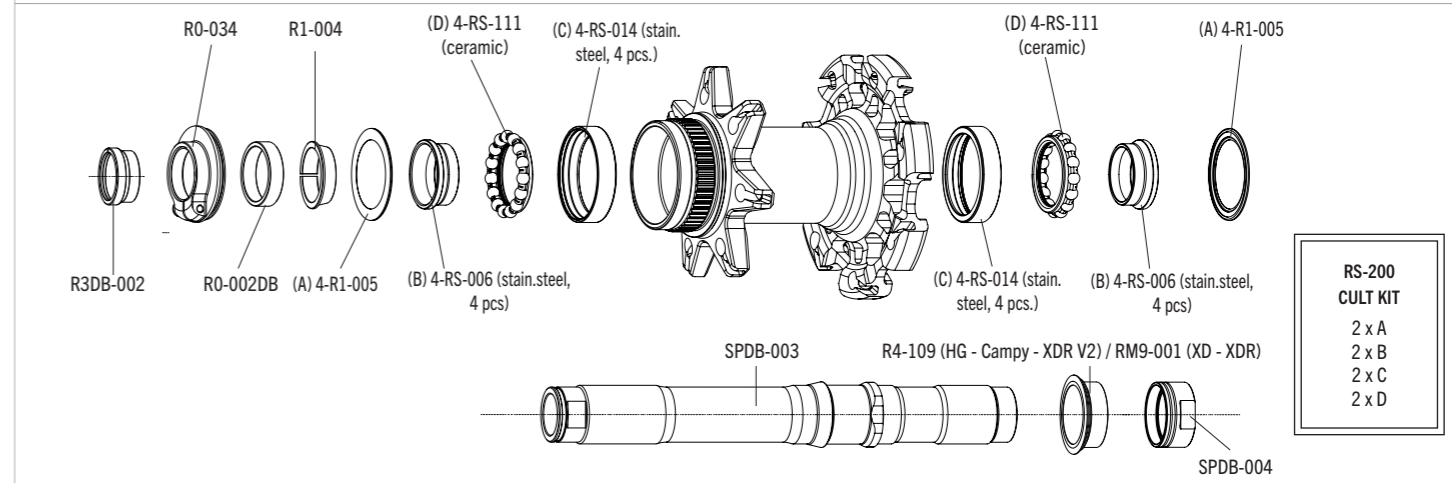
RACING ZERO CARBON CMPTZN DB

AFS

HUBS/MOZZI



RS-200 CULT KIT
2 x A
2 x B
2 x C
2 x D



RS-200 CULT KIT
2 x A
2 x B
2 x C
2 x D

RACING ZERO CARBON DB

AFS

RIMS & SPOKES/CERCHI E RAGGI

RIM

	FRONT RIM	ROCDB-F011
	REAR RIM	ROCDB-R011
	VALVE HOLE	6 mm
	VALVE HOLE BUSHING	R0-114 (for valve seat reduction - 5 pcs)
	DIAMETER	622 x C19

SPOKES

COMPLETE FRONT KIT	ROCDB-F001	14 left + 7 rear
COMPLETE REAR KIT	ROCDB-R002	7 left + 14 rear
FRONT LEFT/REAR RIGHT	ROCDB-003	1 spokes + 1 nipples
FRONT RIGHT	ROCDB-004	1 spokes + 1 nipples
REAR LEFT	ROCDB-005	1 spokes + 1 nipples
NIPPLES	R0-115B	10 pcs.

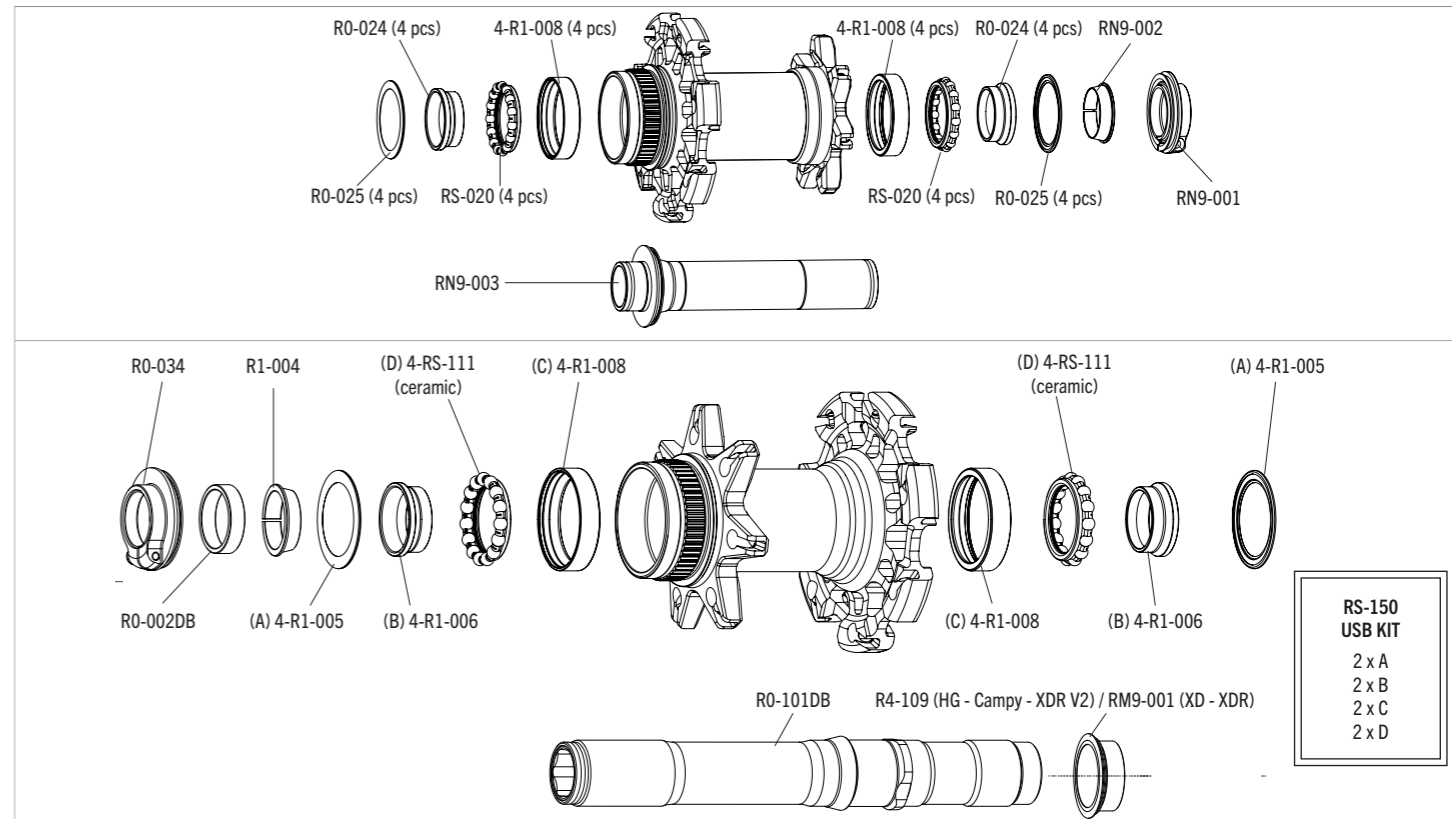
ACCESSORIES

Spacer for HG fw body	RS-004	5 pcs - to be used only with 9/10s sprockets (HG11 FW body package contains the spacer)
ADAPTERS FOR FRONT AND REAR AXLES ON PAGE 140		

RACING ZERO CARBON DB

AFS

HUBS/MOZZI



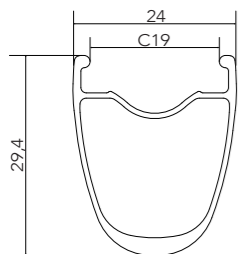
**RS-150
USB KIT**
2 x A
2 x B
2 x C
2 x D

RACING ZERO CMPTZN DB

AFS

RIMS & SPOKES/CERCHI E RAGGI

RIM

	<p>FRONT/REAR RIM VALVE</p> <p>VALVE HOLE BUSHING DIAMETER</p>	<p>R0F-CR01DBC</p> <p>M1-044</p> <p>R0-114 (for valve seat reduction - 5 pcs)</p> <p>622 x C19</p>
---	--	--

SPOKES

COMPLETE FRONT KIT	R0F-SKB31	14 left + 7 rear
COMPLETE REAR KIT	R0R-SKB31	7 left + 14 rear
FRONT LEFT/REAR RIGHT	R0-217B	1 spokes + 1 nipples
FRONT RIGHT	R0-216B	1 spokes + 1 nipples
REAR LEFT	R0-219B	1 spokes + 1 nipples
NIPPLES	R0DB-N1	10 pcs.

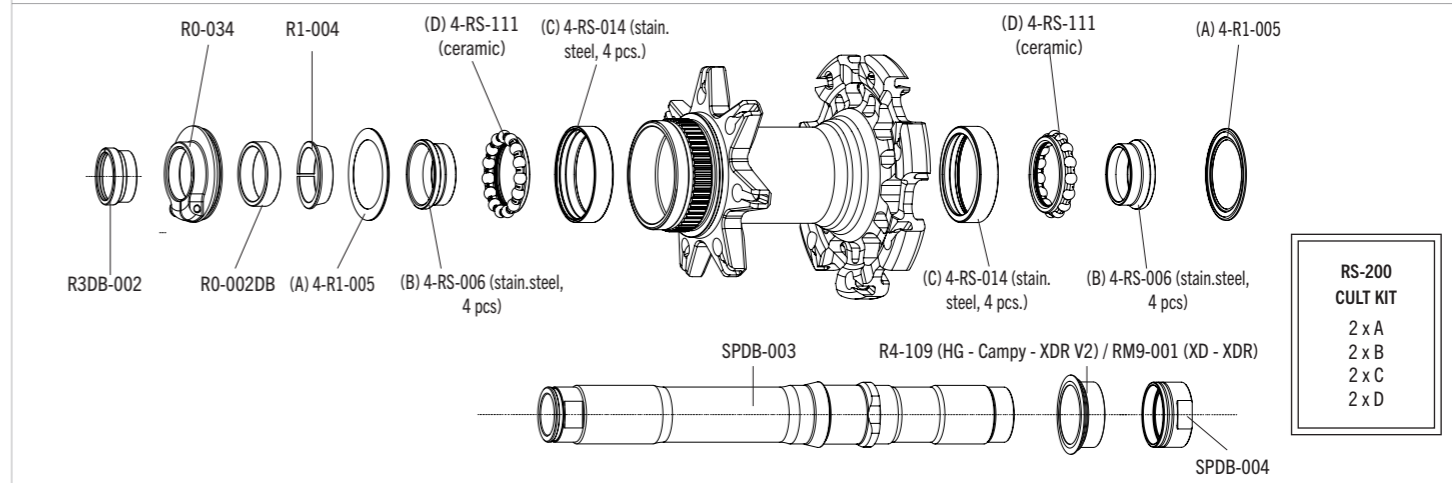
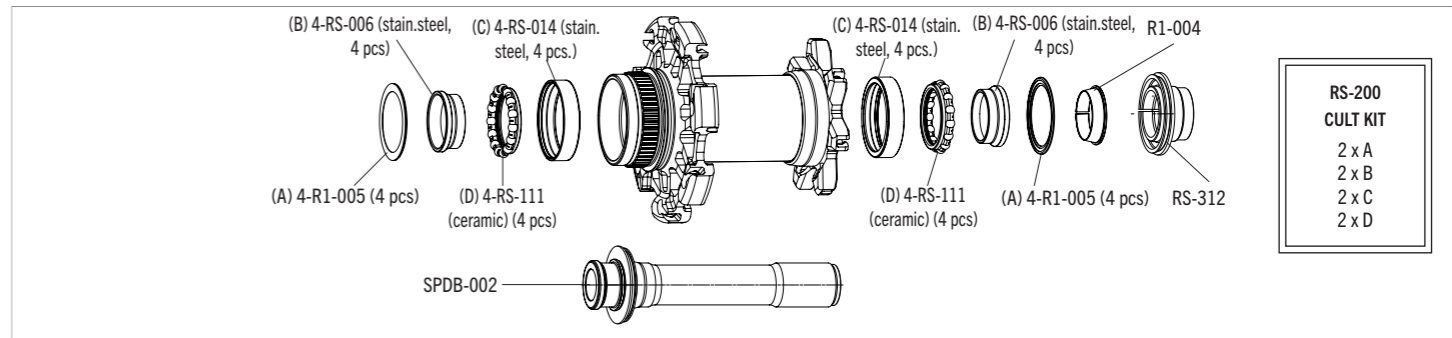
ACCESSORIES

Spacer for HG fw body	RS-004	5 pcs - to be used only with 9/10s sprockets (HG11 FW body package contains the spacer)
-----------------------	--------	--

RACING ZERO CMPTZN DB

AFS

HUBS/MOZZI



Complete FW body / Corpetti RL completi

R0-113 (HG 9/12) - RS-005 (Campagnolo) - R0-123 (XDR) - R0-126 (XDR V2)

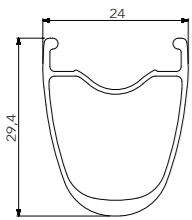
See exploded view pag. 132

RACING ZERO DB

AFS

RIMS & SPOKES/CERCHI E RAGGI

RIM

	FRONT/REAR RIM LABEL KIT	R0F-CR02DB R0-LAB20DB
	VALVE HOLE VALVE HOLE BUSHING DIAMETER	6 mm R0-114 (for valve seat reduction - 5 pcs) 622 x C19

SPOKES

COMPLETE FRONT KIT	R0F-SKB31	14 left + 7 rear
COMPLETE REAR KIT	R0R-SKB31	7 left + 14 rear
FRONT LEFT/REAR RIGHT	R0-217B	1 spokes + 1 nipples
FRONT RIGHT	R0-216B	1 spokes + 1 nipples
REAR LEFT	R0-219B	1 spokes + 1 nipples
NIPPLES	R0DB-N1	10 pcs.

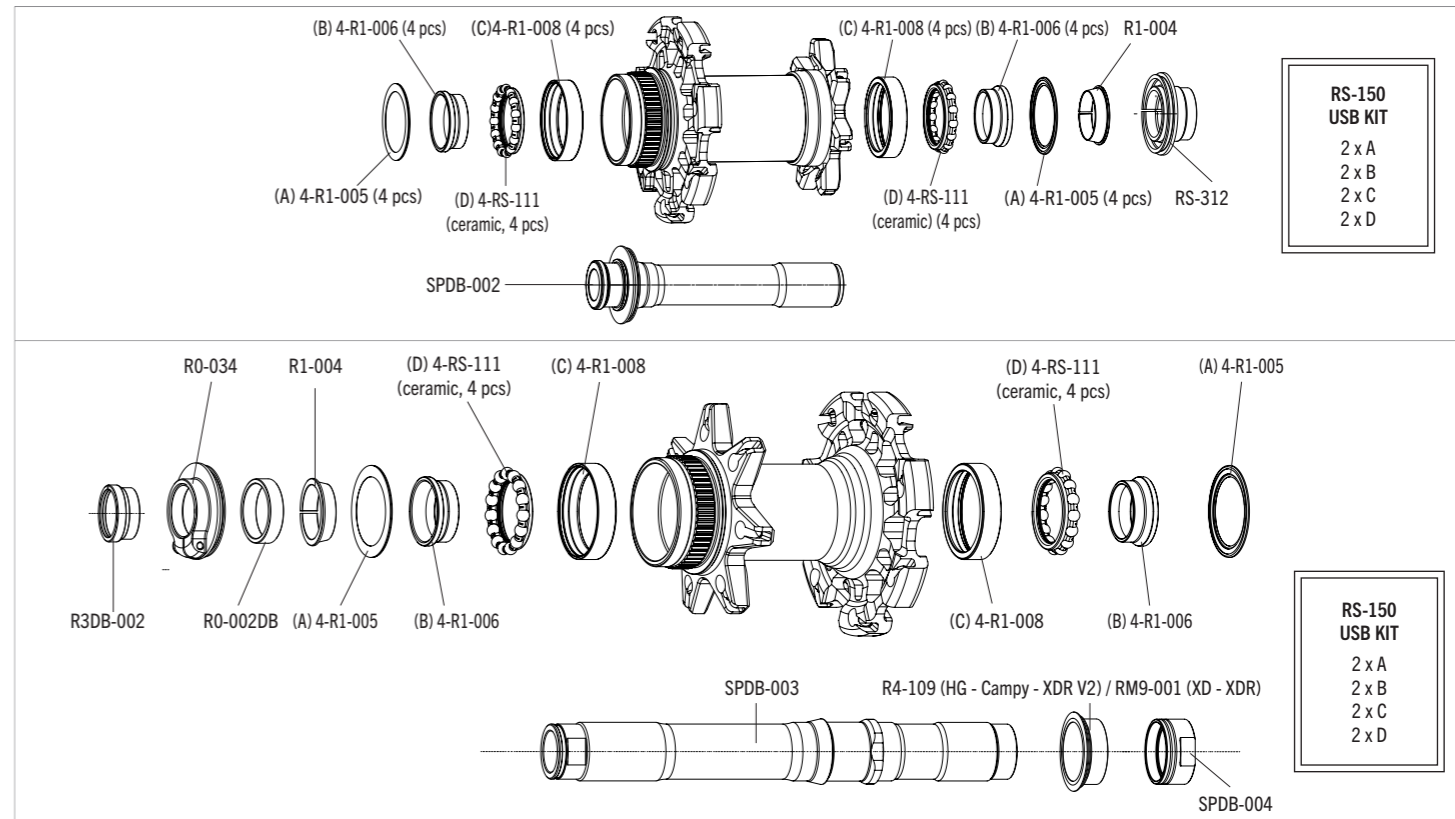
ACCESSORIES

Spacer for HG fw body	RS-004	5 pcs - to be used only with 9/10s sprockets (HG11 FW body package contains the spacer)
-----------------------	--------	--

RACING ZERO DB

AFS

HUBS/MOZZI



Complete FW body / Corpetti RL completi

R0-113 (HG 9/12) - RS-005 (Campagnolo) - R0-126 (XDR V2)

See exploded view pag. 132

RACING 3 DB

AFS

RIMS & SPOKES/CERCHI E RAGGI

RIM

	FRONT/REAR RIM	R3DB-CR01
	LABEL KIT	R3DB-LAB19
	VALVE HOLE	6 mm
	VALVE ADAPTER R3 DB	R3DB-001 (2 pcs)
	DIAMETER	622 x C19

SPOKES

FRONT RIGHT	R3DB-016	4 spokes + 4 nipples
FRONT LEFT/REAR RIGHT	R3DB-017	4 spokes + 4 nipples
REAR LEFT	R3DB-018	4 spokes + 4 nipples
NIPPLES	RWX-B (10 pcs)	10 pcs.

ACCESSORIES

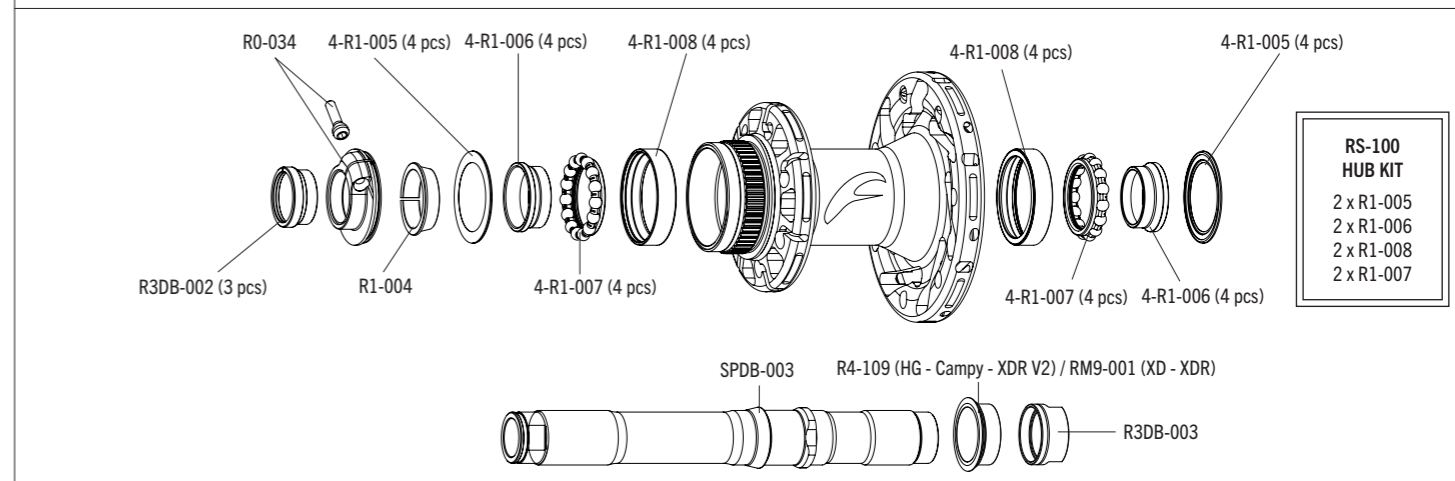
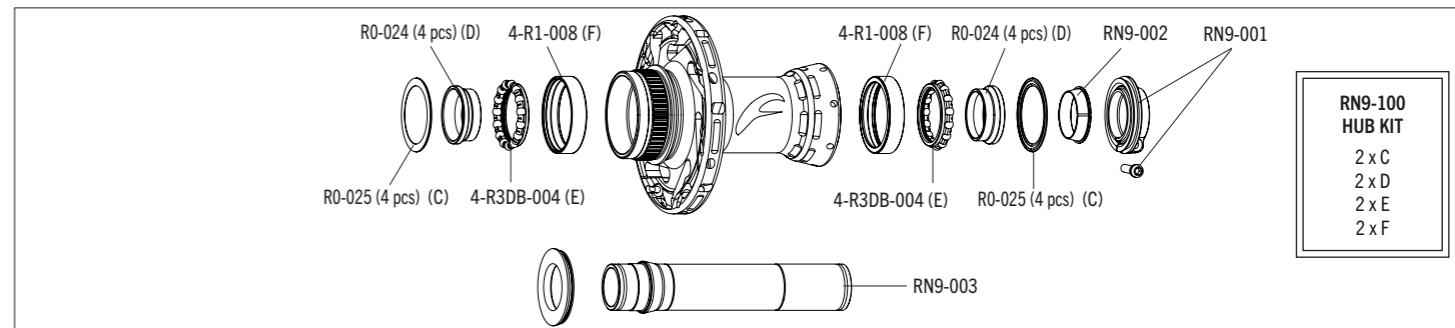
Spacer for HG fw body	RS-004	5 pcs - to be used only with 9/10s sprockets (HG11 FW body package contains the spacer)
-----------------------	--------	--

ADAPTERS FOR FRONT AND REAR AXLES ON PAGE 140

RACING 3 DB

AFS

HUBS/MOZZI

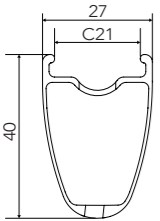


AIRBEAT 550 DB

AFS

RIMS & SPOKES/CERCHI E RAGGI

RIM

	TUBELESS TAPE VALVE HOLE DIAMETER	RR-006 (26 mm, L = 5 m) 6,5 mm 622 x 21C
---	---	--

SPOKES

FRONT LH/REAR LH SPOKE L. 268 FRONT RH/REAR RH SPOKE L. 263,5 NIPPLES	AB5-001 AB5-002 50-AB-BBL	4 spokes + 4 nipples + 4 washer + 4 support washer 4 spokes + 4 nipples + 4 washer + 4 support washer 50 pcs + 20 washers + 20 support washer
---	---------------------------------	---

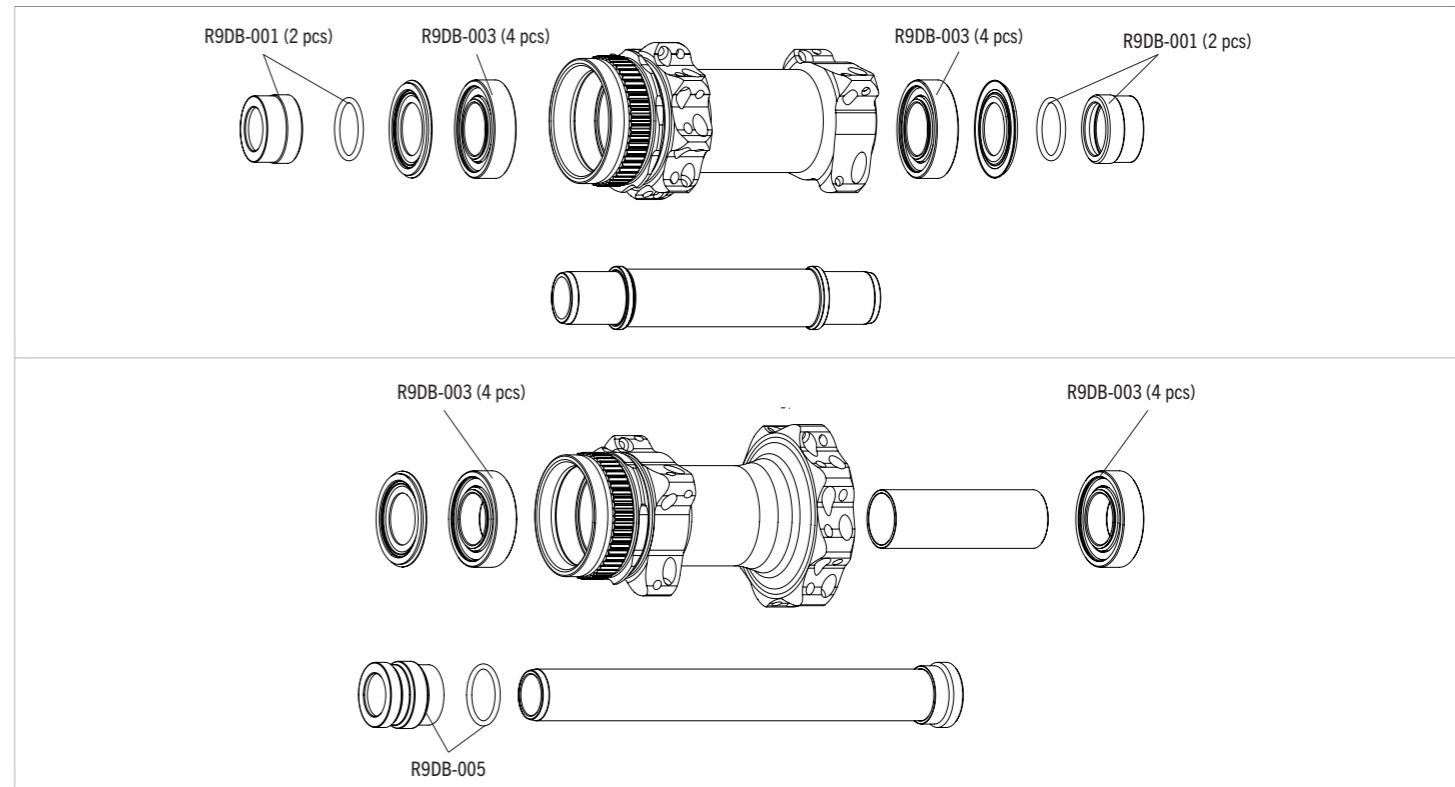
ACCESSORIES

Spacer for HG fw body	RS-004	5 pcs - to be used only with 9/10s sprockets (HG11 FW body package contains the spacer)
-----------------------	--------	--

AIRBEAT 550 DB

AFS

HUBS/MOZZI



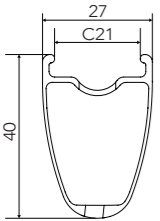
Complete FW body Ø 33 mm / Corpetti RL completi Ø 33 mm | R0-201 (HG 9/12) - R0-203 (Campy N3W for 13s / buy from Campy adapter AC21-N3W for 11-12s) - R0-202 (XDR) | See exploded view pag. 132

AIRBEAT 400 DB

AFS

RIMS & SPOKES/CERCHI E RAGGI

RIM

	TUBELESS TAPE VALVE HOLE DIAMETER	RR-006 (26 mm, L = 5 m) 6,5 mm 622 x 21C
---	---	--

SPOKES

FRONT LH/REAR LH SPOKE L. 279 FRONT RH/REAR RH SPOKE L. 283,5 NIPPLES	AB4-001 AB4-002 50-AB-BBL	4 spokes + 4 nipples + 4 washer + 4 support washer 4 spokes + 4 nipples + 4 washer + 4 support washer 50 pcs + 20 washers + 20 support washer
---	---------------------------------	---

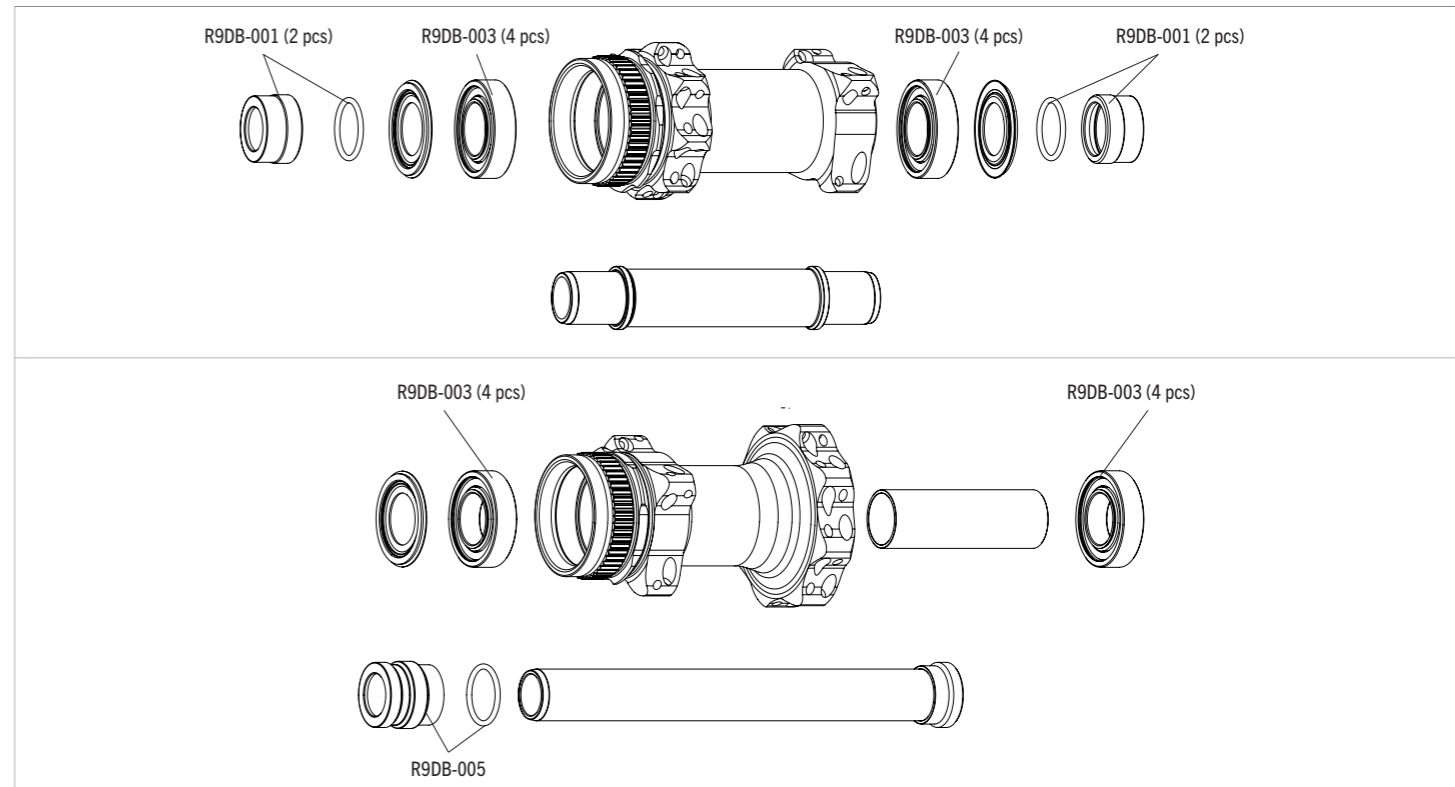
ACCESSORIES

Spacer for HG fw body	RS-004	5 pcs - to be used only with 9/10s sprockets (HG11 FW body package contains the spacer)
-----------------------	--------	--

AIRBEAT 400 DB

AFS

HUBS/MOZZI



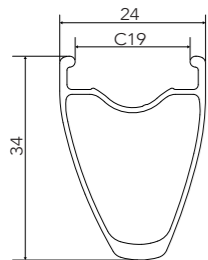
Complete FW body Ø 33 mm / Corpetti RL completi Ø 33 mm R0-201 (HG 9/12) - R0-203 (Campy N3W for 13s / buy from Campy adapter AC21-N3W for 11-12s) - R0-202 (XDR) See exploded view pag. 132

RACING 4/400 DB (MY 2022)

AFS

RIMS & SPOKES/CERCHI E RAGGI

RIM

	<p>LABEL KIT VALVE HOLE VALVE 2WF-READY TAPE DIAMETER</p>	<p>R4DB-LAB22 (front + rear) – R400DB-LAB22 (front + rear) 6,5 mm M1-044 RR-008 (23 mm, L = 5 m) 622 x 19C</p>
---	---	--

SPOKES

<p>FRONT LH/REAR RH SPOKE L. 289 FRONT RH SPOKE L. 285 REAR LH SPOKE L. 284 NIPPLES</p>	<p>R4DB22-016 R4DB22-017 R4DB22-018 R5-B01</p>	<p>4 spokes + 4 nipples 4 spokes + 4 nipples 4 spokes + 4 nipples 50 pcs.</p>
---	---	---

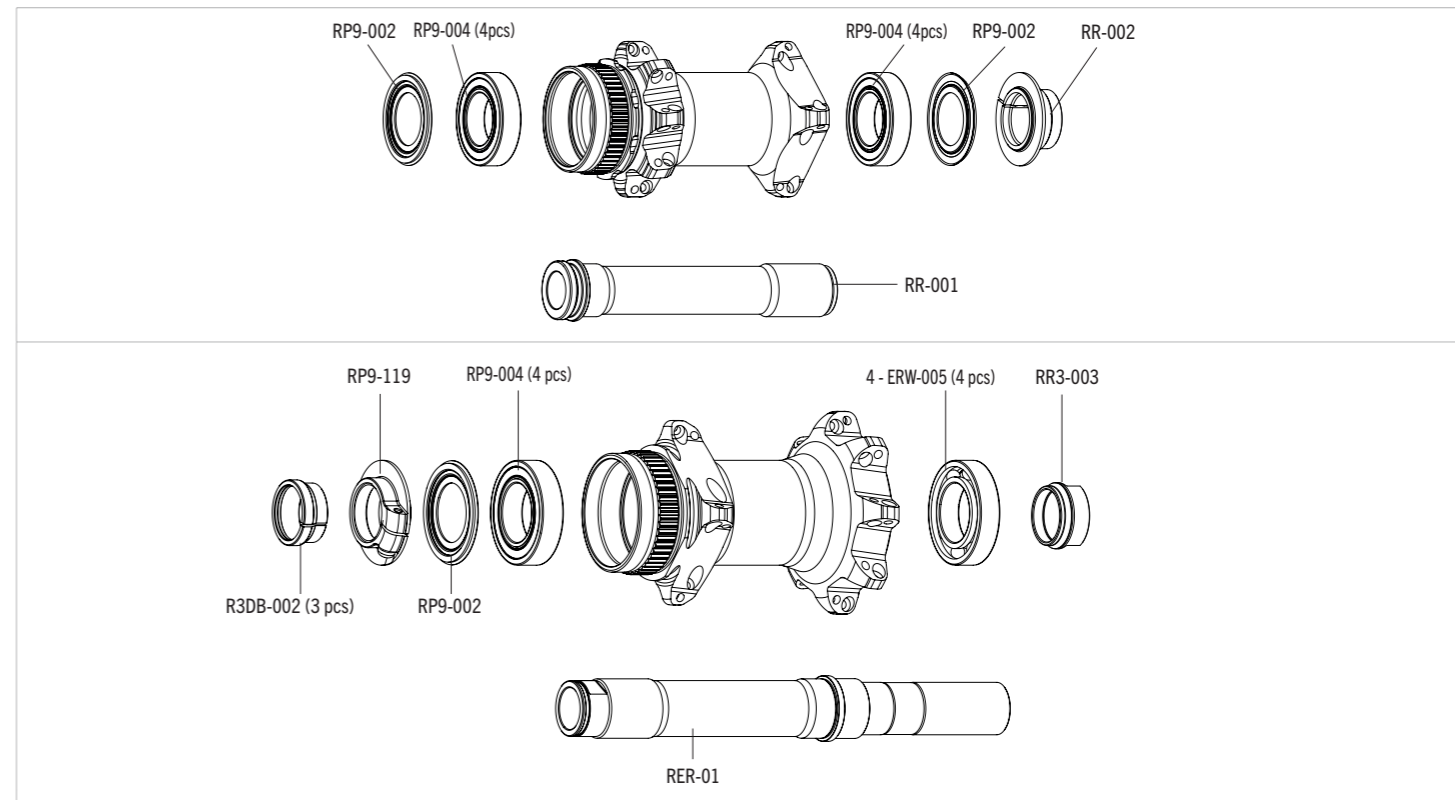
ACCESSORIES

<p>Spacer for HG fw body</p>	<p>RS-004</p>	<p>5 pcs - to be used only with 9/10s sprockets (HG11 FW body package contains the spacer)</p>
------------------------------	---------------	--

RACING 4/400 DB (MY 2022)

AFS

HUBS/MOZZI



Complete FW body Ø 33 mm / Corpetti RL completi Ø 33 mm

R0-201 (HG 9/12) - **R0-203** (Campy N3W for 13s / buy from Campy adapter AC21-N3W for 11-12s) - **R0-202** (XDR)

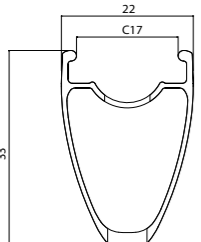
See exploded view pag. 132

RACING 4™ DB CLINCHER (MY 2018 – 2021)

AFS

RIMS & SPOKES/CERCHI E RAGGI

RIM

	RIM-TAPE LABEL KIT VALVE HOLE DIAMETER	2-S9-RT (22.5 mm - 2 pcs) R4-LAB18D (front+rear) 6,5 mm 622 X 17C
---	---	--

SPOKES

SPOKE L. 281 (front RH)	R4F-DS281	4 spokes + 4 nipples
SPOKE L. 285 (front LH+rear RH)	R4F-DS285	4 spokes + 4 nipples
SPOKE L. 282 (rear LH)	R4R-DS282	4 spokes + 4 nipples
NIPPLES	R5-B01	50 pcs

ACCESSORIES

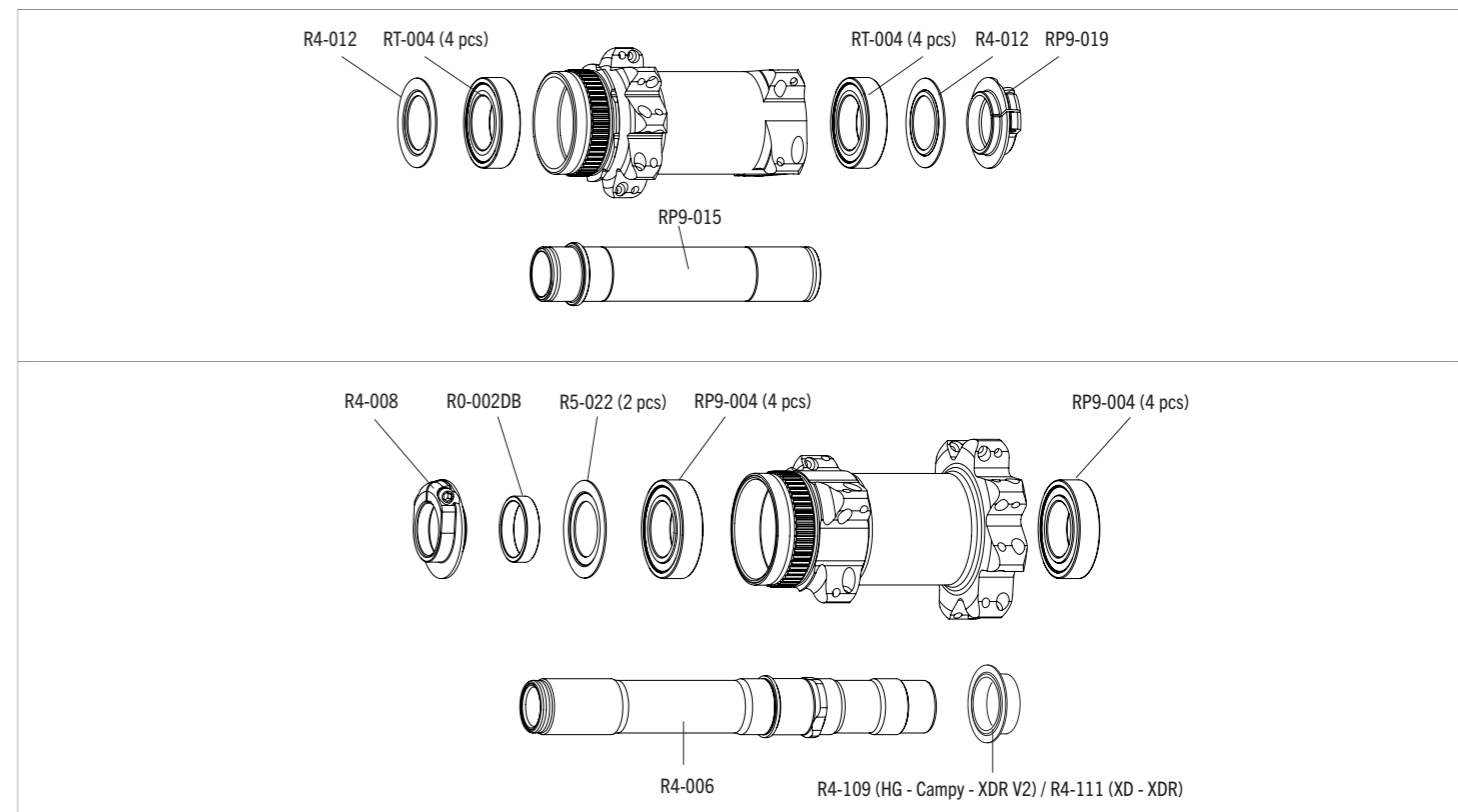
Spacer for HG fw body	RS-004	5 pcs - to be used only with 9/10s sprockets <i>(HG11 FW body package contains the spacer)</i>
KIT QR + QUICK RELEASE - FRONT	R5-QF16K	for front wheel - adapters + quick-release skewer
KIT QR + QUICK RELEASE - REAR	R5-QR16K	for rear wheel - adapters + quick-release skewer

ADAPTERS FOR FRONT AND REAR AXLES ON PAGE 140

RACING 4™ DB CLINCHER (MY 2018 – 2021)

AFS

HUBS/MOZZI



Complete FW body / Corpetti RL completi

R0-113 (HG 9/12) - RS-005 (Campagnolo) - R0-126 (XDR V2)

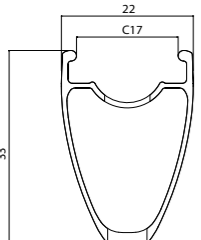
See exploded view pag. 132

RACING 400 DB CLINCHER (MY 2018 - 2021)

AFS

RIMS & SPOKES/CERCHI E RAGGI

RIM

	RIM-TAPE LABEL KIT VALVE HOLE DIAMETER	2-S9-RT (22.5 mm - 2 pcs) R400-LAB18D (front+rear) 6,5 mm 622 X 17C
---	---	--

SPOKES

SPOKE L. 281 (front RH)	R4F-DS281	4 spokes + 4 nipples
SPOKE L. 285 (front LH+rear RH)	R4F-DS285	4 spokes + 4 nipples
SPOKE L. 282 (rear LH)	R4R-DS282	4 spokes + 4 nipples
NIPPLES	R5-B01	50 pcs

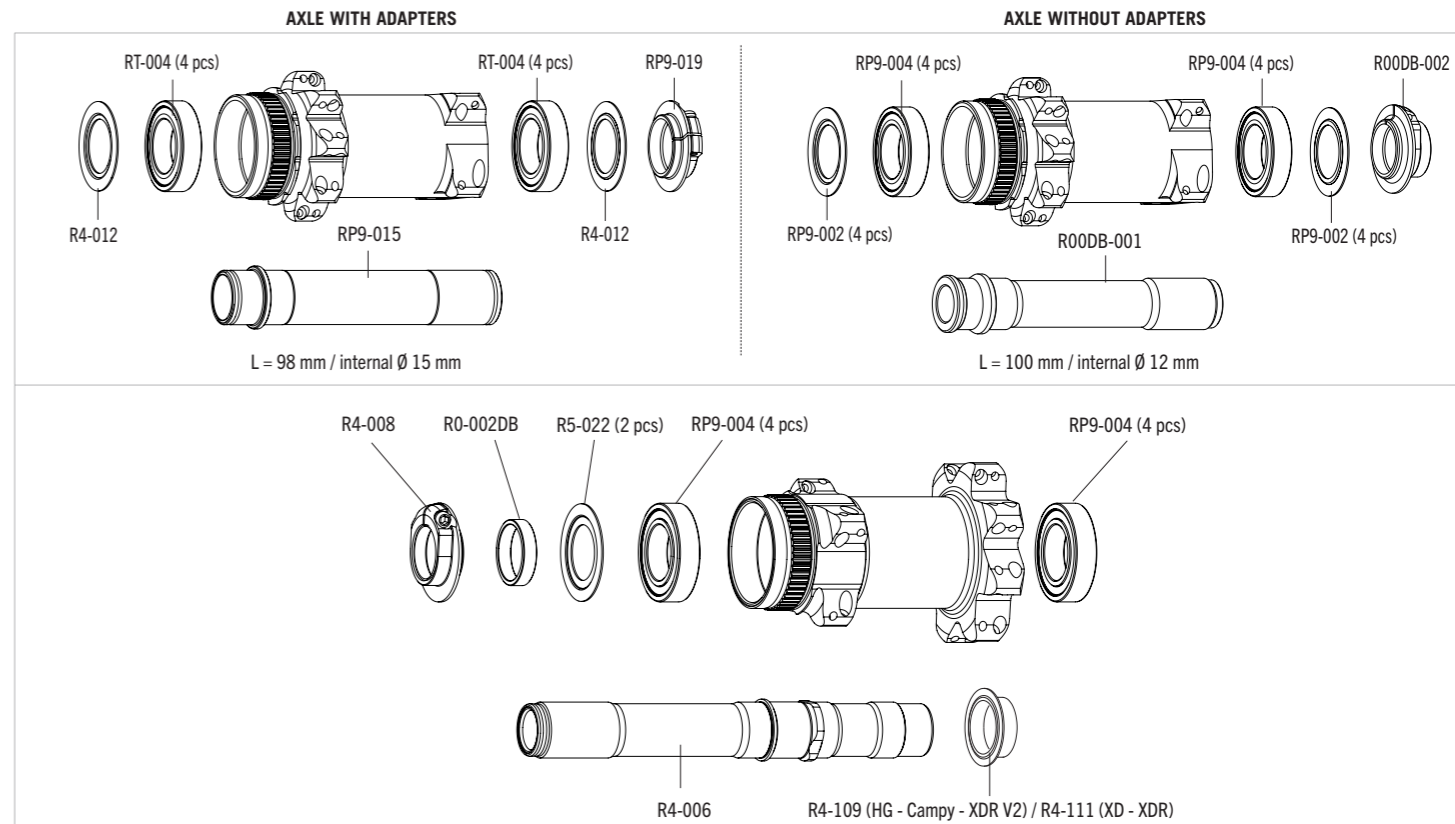
ACCESSORIES

Spacer for HG fw body	RS-004	5 pcs - to be used only with 9/10s sprockets <i>(HG11 FW body package contains the spacer)</i>
KIT QR + QUICK RELEASE - FRONT	R5-QF16K	for front wheel - adapters + quick-release skewer
KIT QR + QUICK RELEASE - REAR	R5-QR16K	for rear wheel - adapters + quick-release skewer
ADAPTERS FOR FRONT AND REAR AXLES ON PAGE 140		

RACING 400 DB CLINCHER (MY 2018 - 2021)

AFS

HUBS/MOZZI



Complete FW body / Corpetti RL completi

R0-113 (HG 9/12) - RS-005 (Campagnolo) - R0-126 (XDR V2)

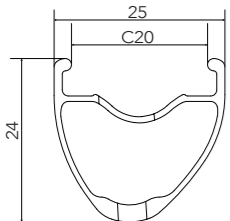
See exploded view pag. 132

RACING 5/500 DB (MY 2022)

AFS

RIMS & SPOKES/CERCHI E RAGGI

RIM

	<p>LABEL KIT VALVE HOLE VALVE 2WF-READY TAPE DIAMETER</p>	<p>R5DB-LAB22 (front + rear) – R500DB-LAB22 (front + rear) 6,5 mm M1-044 RR-006 (26 mm, L = 5 m) 622 x 20C</p>
---	---	--

SPOKES

<p>FRONT RH SPOKE L. 289 FRONT LH SPOKE L. 293,5 REAR RH SPOKE L. 292,5 REAR LH SPOKE L. 288 NIPPLES</p>	<p>R5DB22-016 R5DB22-017 R5DB22-018 R5DB22-019 R5-B01</p>	<p>4 spokes + 4 nipples 4 spokes + 4 nipples 4 spokes + 4 nipples 4 spokes + 4 nipples 50 pcs.</p>
--	---	--

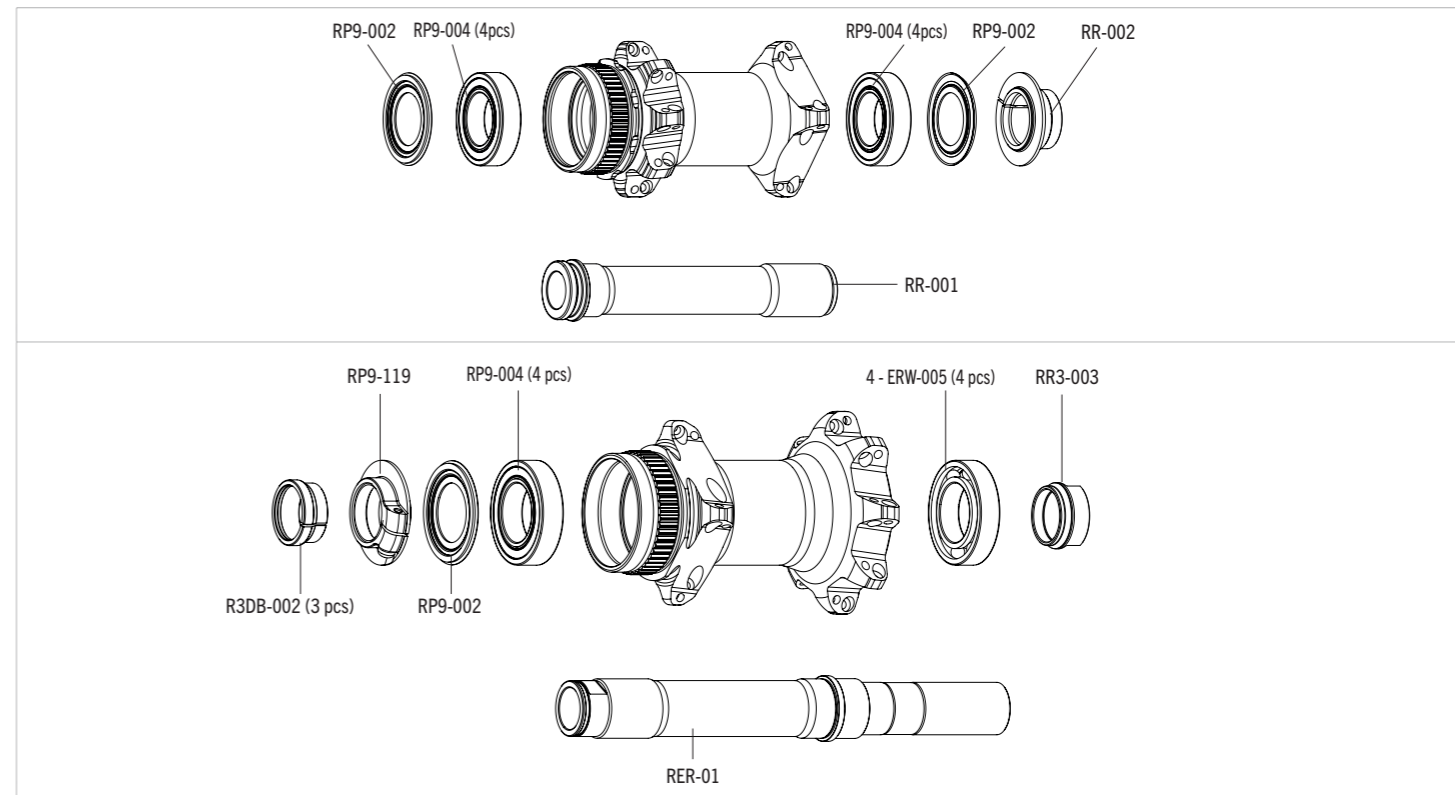
ACCESSORIES

<p>Spacer for HG fw body</p>	<p>RS-004</p>	<p>5 pcs - to be used only with 9/10s sprockets (HG11 FW body package contains the spacer)</p>
------------------------------	---------------	--

RACING 5/500 DB (MY 2022)

AFS

HUBS/MOZZI



Complete FW body Ø 33 mm / Corpetti RL completi Ø 33 mm

R0-201 (HG 9/12) - **R0-203** (Campy N3W for 13s / buy from Campy adapter AC21-N3W for 11-12s) - **R0-202** (XDR)

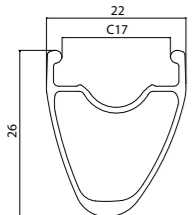
See exploded view pag. 132

RACING 5 DB CLINCHER (MY 2018 - 2021)

AFS

RIMS & SPOKES/CERCHI E RAGGI

RIM

	RIM-TAPE LABEL KIT VALVE HOLE DIAMETER	2-S9-RT (22.5 mm - 2 pcs) R5-LAB18D (front+rear) 6,5 mm 622 X 17C
---	---	--

SPOKES

SPOKE L. 288 (front RH)	R5F-DS288	4 spokes + 4 nipples
SPOKE L. 293 (front LH)	R5R-DS293	4 spokes + 4 nipples
SPOKE L. 293 (rear RH)	R5F-DS293	4 spokes + 4 nipples
SPOKE L. 289 (rear LH)	R5R-DS289	4 spokes + 4 nipples
NIPPLES	R5-B02	50 pcs

ACCESSORIES

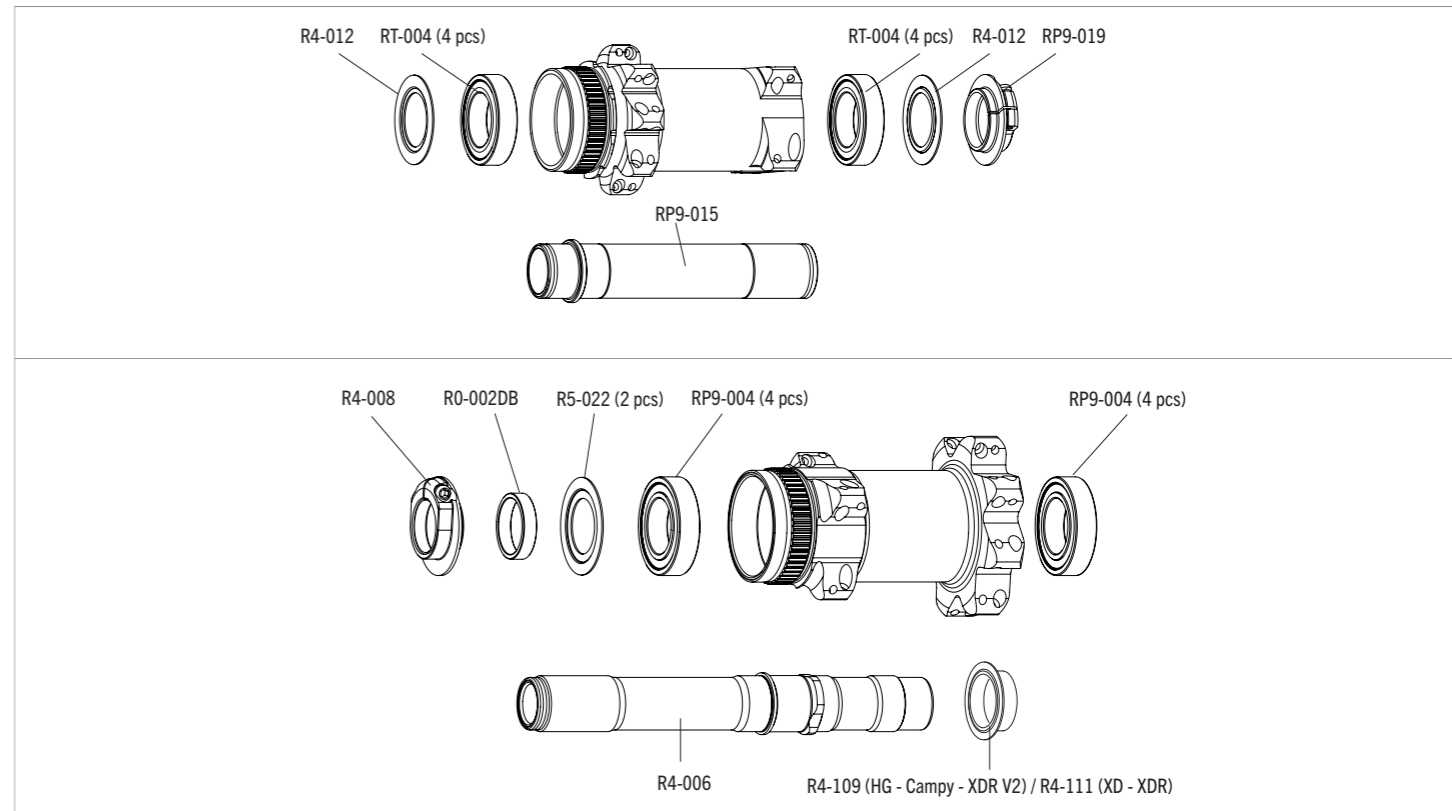
Spacer for HG fw body	RS-004	5 pcs - to be used only with 9/10s sprockets <i>(HG11 FW body package contains the spacer)</i>
KIT QR + QUICK RELEASE - FRONT	R5-QF16K	for front wheel - adapters + quick-release skewer
KIT QR + QUICK RELEASE - REAR	R5-QR16K	for rear wheel - adapters + quick-release skewer

ADAPTERS FOR FRONT AND REAR AXLES ON PAGE 140

RACING 5 DB CLINCHER (MY 2018 - 2021)

AFS

HUBS/MOZZI



Complete FW body / Corpetti RL completi

R0-113 (HG 9/12) - RS-005 (Campagnolo) - R0-126 (XDR V2)

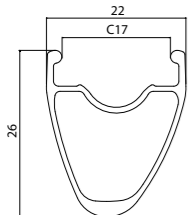
See exploded view pag. 132

RACING 500 DB CLINCHER (MY 2018 - 2021)

AFS

RIMS & SPOKES/CERCHI E RAGGI

RIM

	RIM-TAPE LABEL KIT VALVE HOLE DIAMETER	2-S9-RT (22.5 mm - 2 pcs) R500-LAB18D (front+rear) 6,5 mm 622 X 17C
---	---	--

SPOKES

SPOKE L. 288 (front RH)	R5F-DS288	4 spokes + 4 nipples
SPOKE L. 293 (front LH)	R5R-DS293	4 spokes + 4 nipples
SPOKE L. 293 (rear RH)	R5F-DS293	4 spokes + 4 nipples
SPOKE L. 289 (rear LH)	R5R-DS289	4 spokes + 4 nipples
NIPPLES	R5-B02	50 pcs

ACCESSORIES

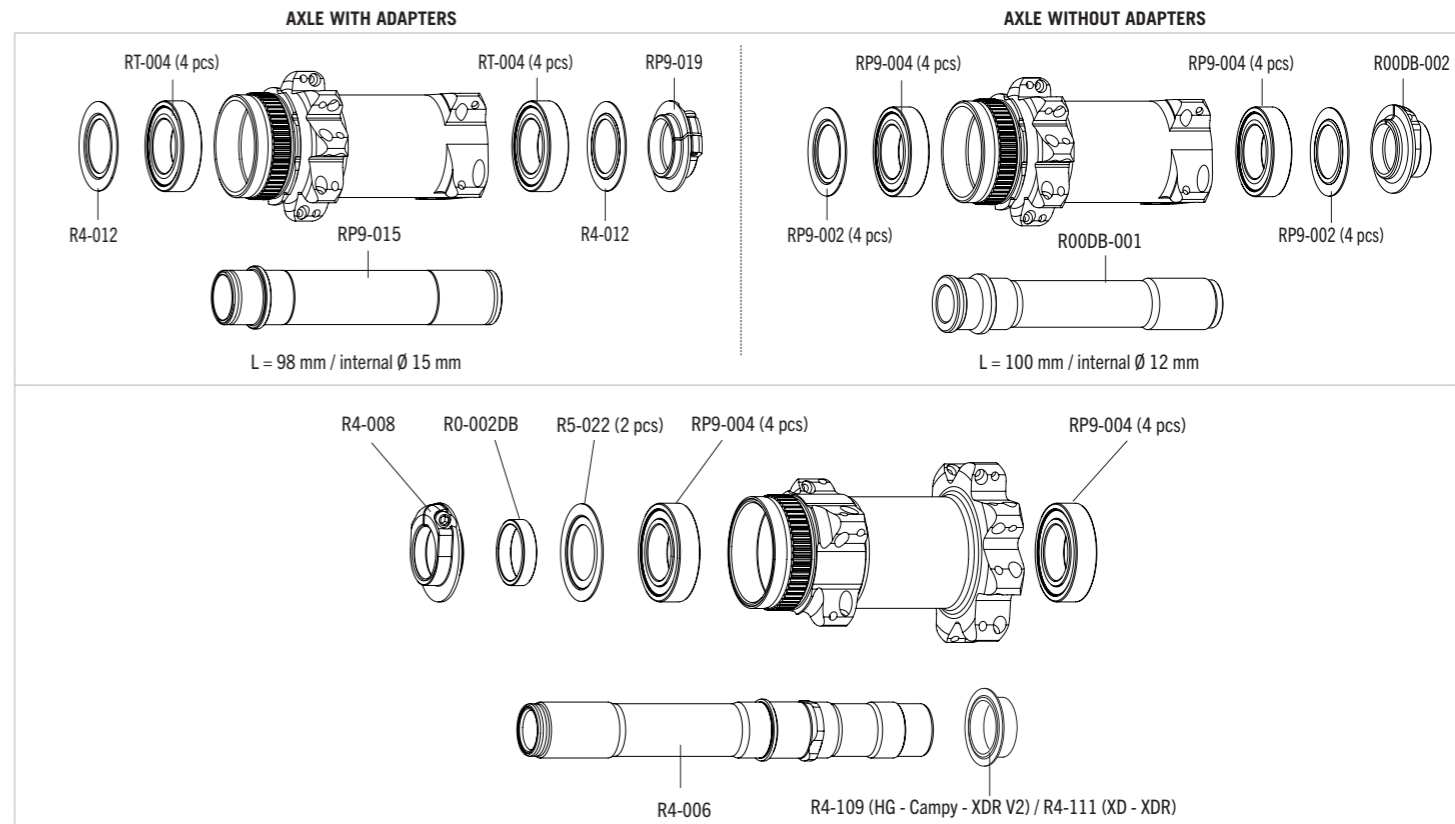
Spacer for HG fw body	RS-004	5 pcs - to be used only with 9/10s sprockets (HG11 FW body package contains the spacer)
KIT QR + QUICK RELEASE - FRONT	R5-QF16K	for front wheel - adapters + quick-release skewer
KIT QR + QUICK RELEASE - REAR	R5-QR16K	for rear wheel - adapters + quick-release skewer

ADAPTERS FOR FRONT AND REAR AXLES ON PAGE 140

RACING 500 DB CLINCHER (MY 2018 - 2021)

AFS

HUBS/MOZZI



Complete FW body / Corpetti RL completi

R0-113 (HG 9/12) - RS-005 (Campagnolo) - R0-126 (XDR V2)

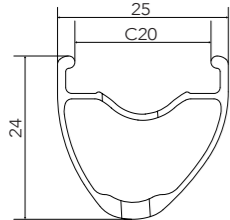
See exploded view pag. 132

RACING 6/600 DB (MY 2022)

AFS

RIMS & SPOKES/CERCHI E RAGGI

RIM

	<p>LABEL KIT VALVE HOLE VALVE 2WF-READY TAPE DIAMETER</p>	<p>R6DB-LAB22 (front + rear) – R600DB-LAB22 (front + rear) 6,5 mm M1-044 RR-006 (26 mm, L = 5 m) 622 x 20C</p>
---	---	--

SPOKES

<p>FRONT LH/REAR RH SPOKE L. 294,5 FRONT RH/REAR LH SPOKE L. 290 NIPPLES</p>	<p>R6DB22-016 R6DB22-017 R5-B01</p>	<p>4 spokes + 4 nipples 4 spokes + 4 nipples 50 pcs</p>
--	---	---

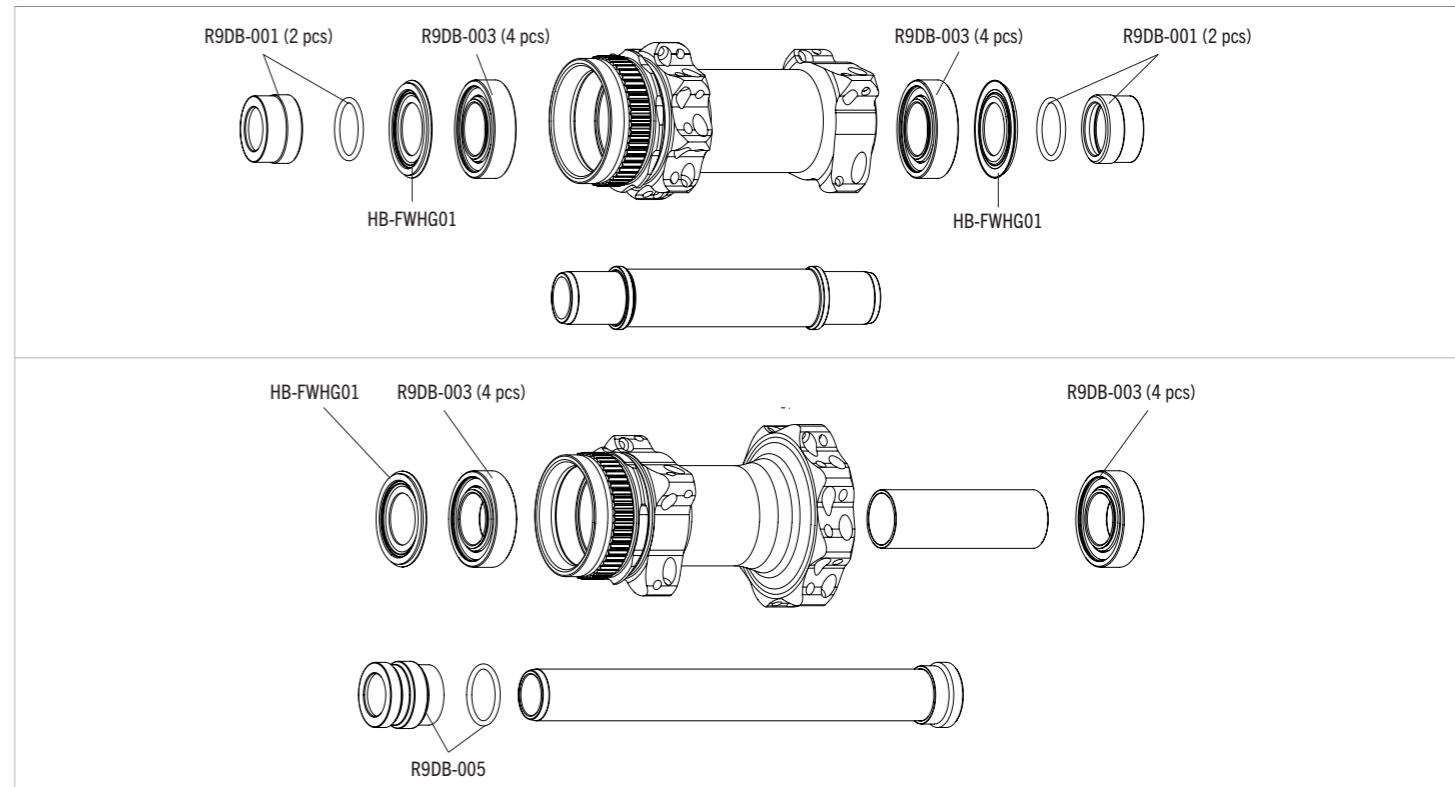
ACCESSORIES

<p>Spacer for HG fw body</p>	<p>RS-004</p>	<p>5 pcs - to be used only with 9/10s sprockets (HG11 FW body package contains the spacer)</p>
------------------------------	---------------	--

RACING 6/600 DB (MY 2022)

AFS

HUBS/MOZZI



Complete FW body Ø 33 mm /
Corpetti RL completi Ø 33 mm

R0-201 (HG 9/12) - R0-203 (Campy N3W for 13s / buy from Campy adapter AC21-N3W for 11-12s) - R0-202 (XDR)

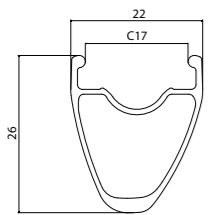
See exploded view pag. 132

RACING 6 DB CLINCHER (MY 2018 - 2021)

AFS

RIMS & SPOKES/CERCHI E RAGGI

RIM

	RIM-TAPE LABEL KIT VALVE HOLE DIAMETER	2-S9-RT (22.5 mm - 2 pcs) R6-LAB18D (front+rear) 6,5 mm 622 X 17C
---	---	--

SPOKES

SPOKE L. 279 (front RH)	R6F-DS279	4 spokes + 4 nipples
SPOKE L. 288 (front LH)	R6F-DS288	4 spokes + 4 nipples
SPOKE L. 285 (rear RH)	R6R-DS285	4 spokes + 4 nipples
SPOKE L. 274 (rear LH)	R6R-DS274	4 spokes + 4 nipples
NIPPLES	RZ7-B	50 pcs

ACCESSORIES

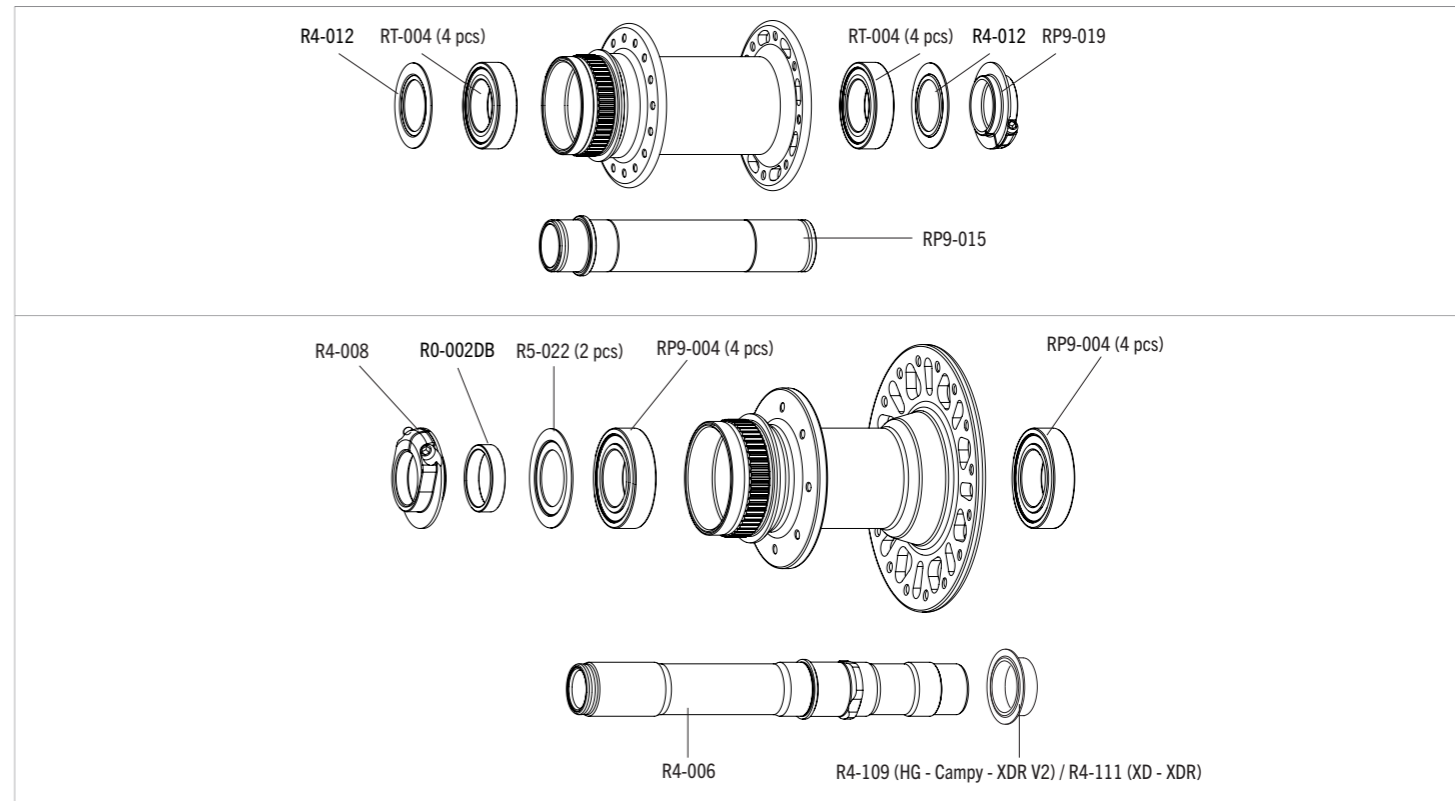
Spacer for HG fw body	RS-004	5 pcs - to be used only with 9/10s sprockets (HG11 FW body package contains the spacer)
KIT QR + QUICK RELEASE - FRONT	R5-QF16K	for front wheel - adapters + quick-release skewer
KIT QR + QUICK RELEASE - REAR	R5-QR16K	for rear wheel - adapters + quick-release skewer

ADAPTERS FOR FRONT AND REAR AXLES ON PAGE 140

RACING 6 DB CLINCHER (MY 2018 - 2021)

AFS

HUBS/MOZZI



Complete FW body / Corpetti RL completi

R0-113 (HG 9/12) - RS-005 (Campagnolo) - R0-126 (XDR V2)

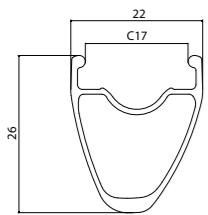
See exploded view pag. 132

RACING 600 DB CLINCHER (MY 2018 - 2021)

AFS

RIMS & SPOKES/CERCHI E RAGGI

RIM

	<p>RIM-TAPE LABEL KIT VALVE HOLE DIAMETER</p>	<p>2-S9-RT (22.5 mm - 2 pcs) R600-LAB18D (front+rear) 6,5 mm 622 X 17C</p>
---	---	--

SPOKES

SPOKE L. 279 (front RH)	R6F-DS279	4 spokes + 4 nipples
SPOKE L. 288 (front LH)	R6F-DS288	4 spokes + 4 nipples
SPOKE L. 285 (rear RH)	R6R-DS285	4 spokes + 4 nipples
SPOKE L. 274 (rear LH)	R6R-DS274	4 spokes + 4 nipples
NIPPLES	RZ7-B	50 pcs

ACCESSORIES

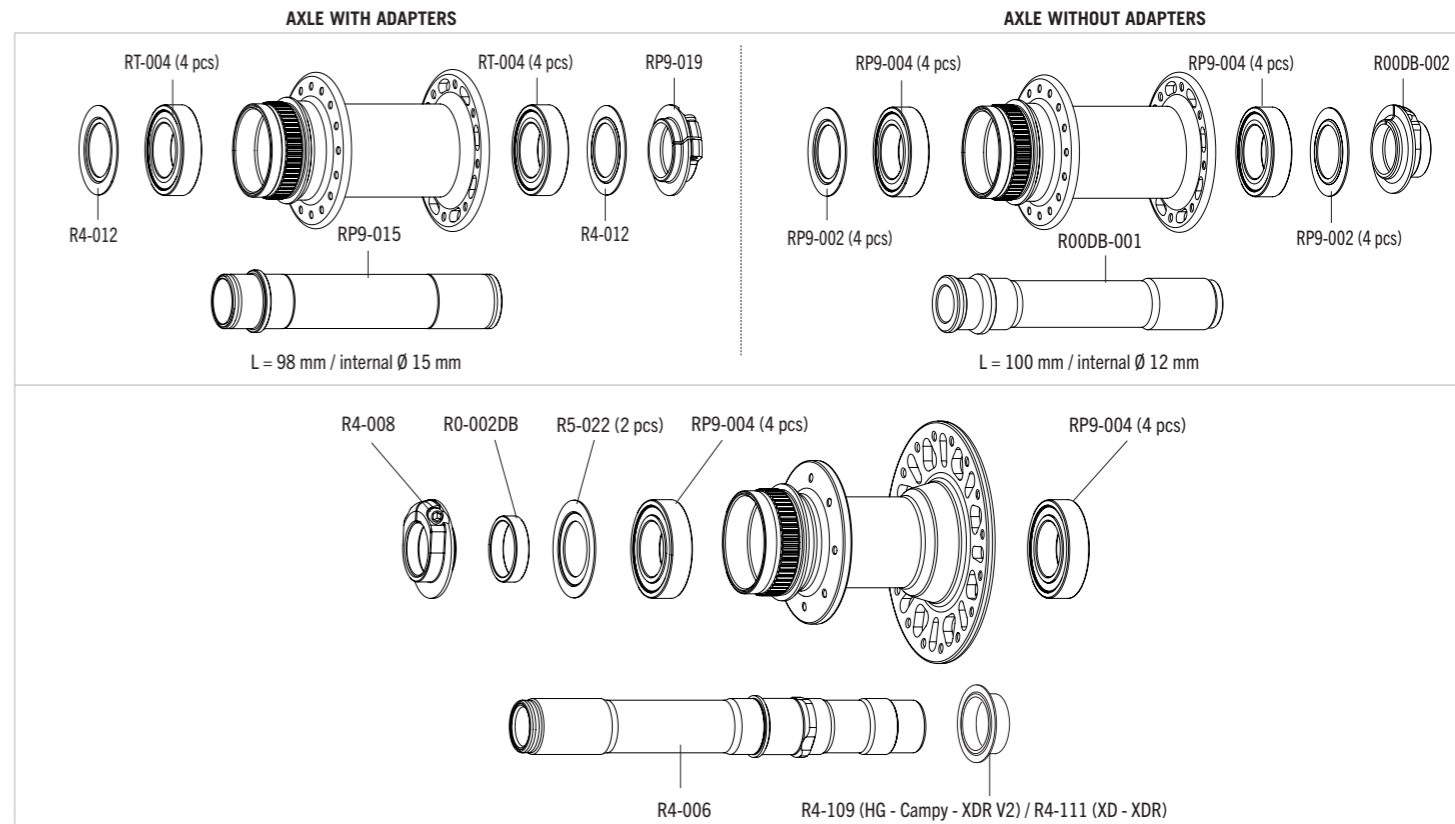
Spacer for HG fw body	RS-004	5 pcs - to be used only with 9/10s sprockets (HG11 FW body package contains the spacer)
KIT QR + QUICK RELEASE - FRONT	R5-QF16K	for front wheel - adapters + quick-release skewer
KIT QR + QUICK RELEASE - REAR	R5-QR16K	for rear wheel - adapters + quick-release skewer

ADAPTERS FOR FRONT AND REAR AXLES ON PAGE 140

RACING 600 DB CLINCHER (MY 2018 - 2021)

AFS

HUBS/MOZZI



Complete FW body / Corpetti RL completi

R0-113 (HG 9/12) - RS-005 (Campagnolo) - R0-126 (XDR V2)

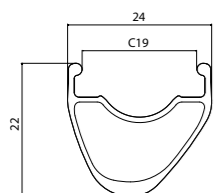
See exploded view pag. 132

RACING 7B™ DB CLINCHER

AFS

RIMS & SPOKES/CERCHI E RAGGI

RIM

	RIM-TAPE LABEL KIT VALVE HOLE DIAMETER	R700-RT02B (23 mm - 2 pcs) R7B-LAB19DB (front+rear) 6,5 mm 27.5 2WF-Ready
---	---	--

SPOKES

SPOKE L. 265 (front RH)	R7BF-DS294	4 spokes + 4 nipples
SPOKE L. 273,5 (front LH)	R7BF-DS293	4 spokes + 4 nipples
SPOKE L. 270,5 (rear RH)	R7BF-DS296	4 spokes + 4 nipples
SPOKE L. 259,5 (rear LH)	R7BF-DS295	4 spokes + 4 nipples
NIPPLES	RZ7-B	50 pcs
TOOL	T-18	spoke spanner

ACCESSORIES

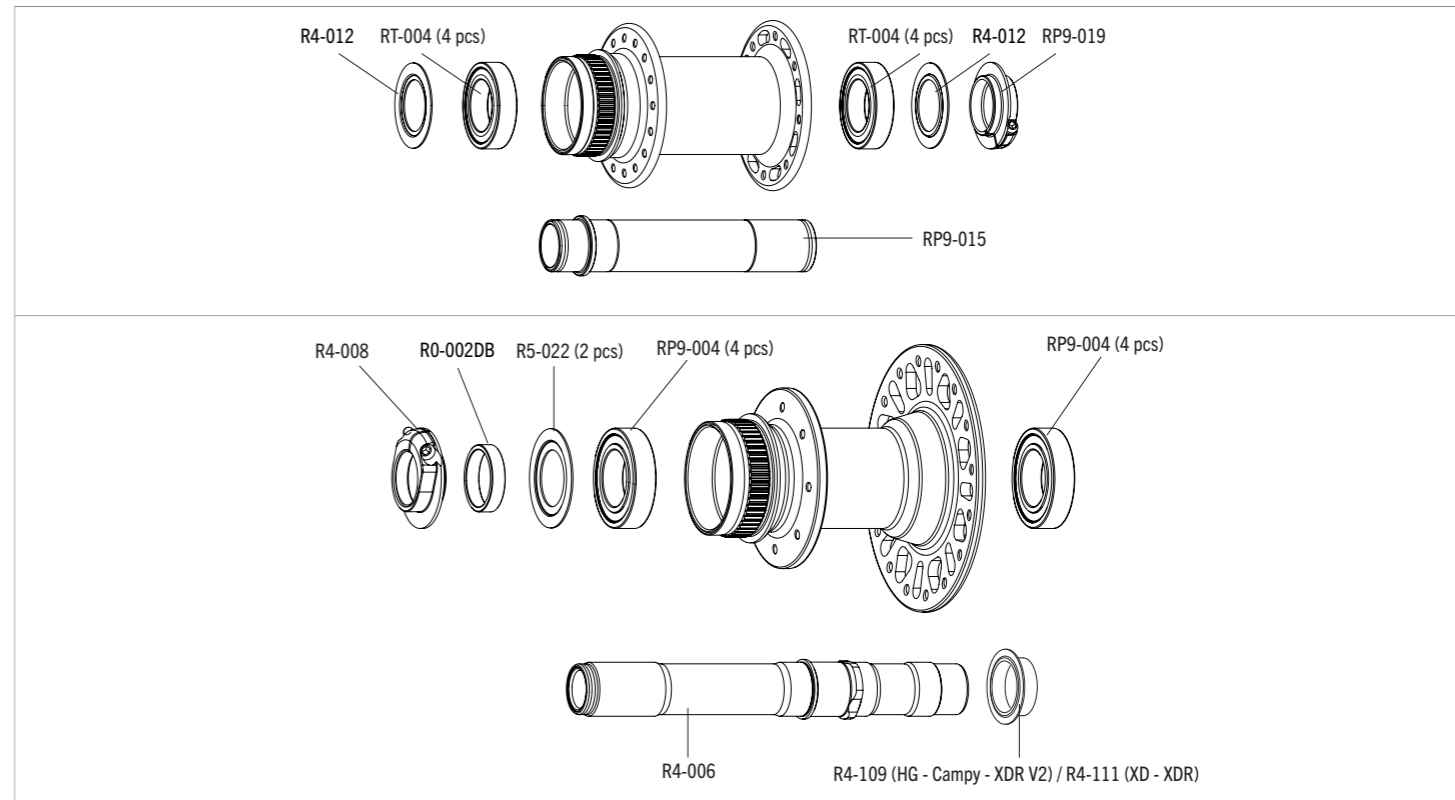
Spacer for HG fw body	RS-004	5 pcs - to be used only with 9/10s sprockets <i>(HG11 FW body package contains the spacer)</i>
KIT QR + QUICK RELEASE - FRONT	R5-QF16K	for front wheel - adapters + quick-release skewer
KIT QR + QUICK RELEASE - REAR	R5-QR16K	for rear wheel - adapters + quick-release skewer

ADAPTERS FOR FRONT AND REAR AXLES ON PAGE 140

RACING 7B™ DB CLINCHER

AFS

HUBS/MOZZI



Complete FW body / Corpetti RL completi

R0-113 (HG 9/12) - RS-005 (Campagnolo) - R0-126 (XDR V2)

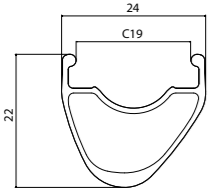
See exploded view pag. 132

RACING 700B™ DB CLINCHER

AFS

RIMS & SPOKES/CERCHI E RAGGI

RIM

	<p>RIM-TAPE LABEL KIT VALVE HOLE DIAMETER</p>	<p>R700-RT02B (23 mm - 2 pcs) R700B-LAB19DB (front+rear) 6,5 mm 27.5 2WF-Ready</p>
---	---	--

SPOKES

SPOKE L. 265 (front RH)	R7BF-DS294	4 spokes + 4 nipples
SPOKE L. 273,5 (front LH)	R7BF-DS293	4 spokes + 4 nipples
SPOKE L. 270,5 (rear RH)	R7BF-DS296	4 spokes + 4 nipples
SPOKE L. 259,5 (rear LH)	R7BF-DS295	4 spokes + 4 nipples
NIPPLES	RZ7-B	50 pcs
TOOL	T-18	spoke spanner

ACCESSORIES

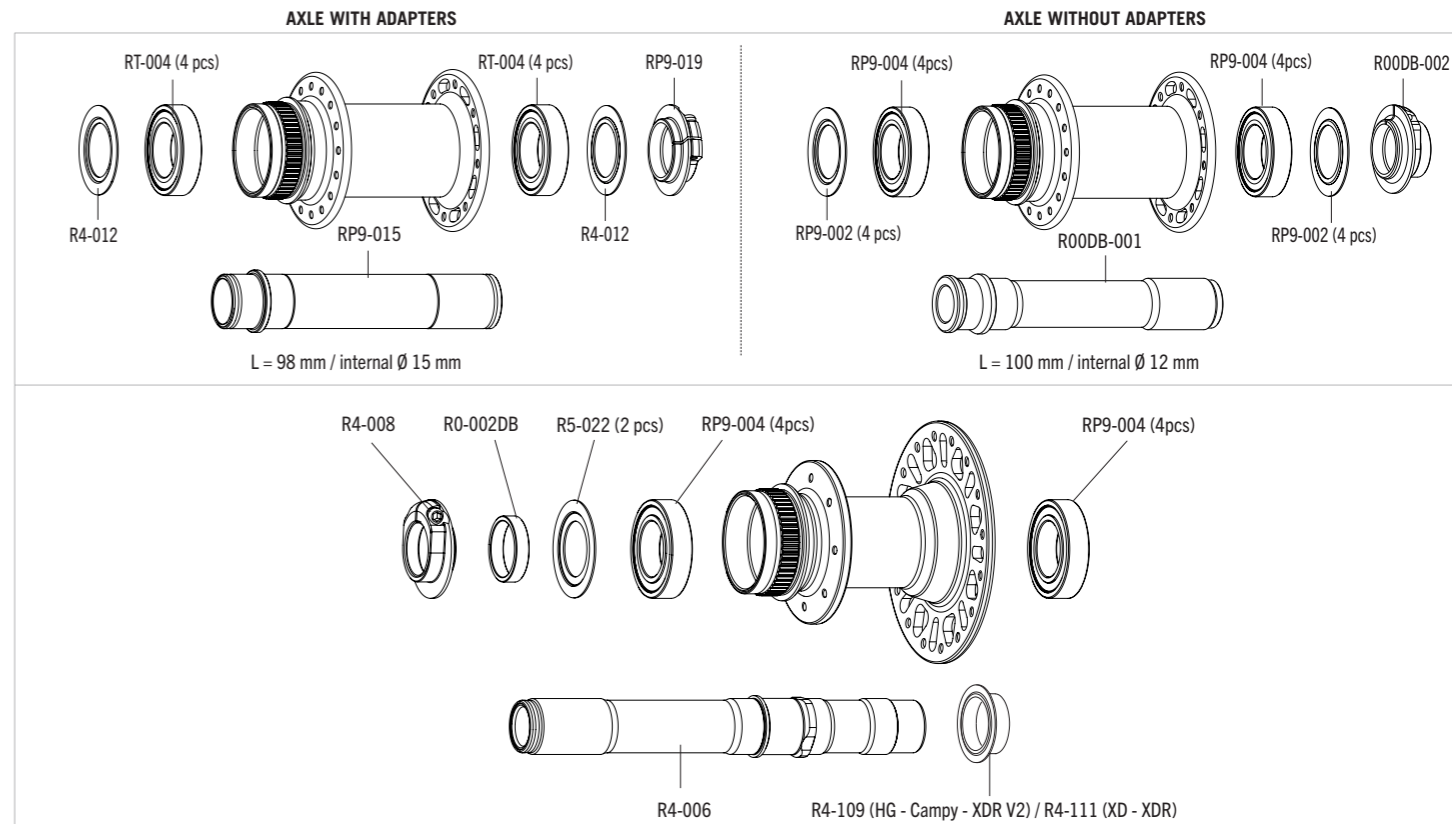
Spacer for HG fw body	RS-004	5 pcs - to be used only with 9/10s sprockets (HG11 FW body package contains the spacer)
KIT QR + QUICK RELEASE - FRONT	R5-QF16K	for front wheel - adapters + quick-release skewer
KIT QR + QUICK RELEASE - REAR	R5-QR16K	for rear wheel - adapters + quick-release skewer

ADAPTERS FOR FRONT AND REAR AXLES ON PAGE 140

RACING 700B™ DB CLINCHER

AFS

HUBS/MOZZI



Complete FW body / Corpetti RL completi

R0-113 (HG 9/12) - RS-005 (Campagnolo) - R0-126 (XDR V2)

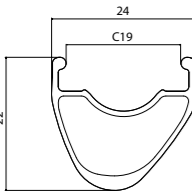
See exploded view pag. 132

RACING 7™ DB CLINCHER

AFS

RIMS & SPOKES/CERCHI E RAGGI

RIM

	RIM-TAPE LABEL KIT VALVE HOLE DIAMETER	R7-RT01 (23 mm - 2 pcs) R7-LAB18D (front+rear) 6,5 mm 622 X 19C
---	---	--

SPOKES

SPOKE L. 283 (front RH)	R7F-DS283	4 spokes + 4 nipples
SPOKE L. 292 (front LH)	R7F-DS292	4 spokes + 4 nipples
SPOKE L. 290 (rear RH)	R7R-DS290	4 spokes + 4 nipples
SPOKE L. 277 (rear LH)	R7R-DS277	4 spokes + 4 nipples
NIPPLES	RZ7-B	50 pcs

ACCESSORIES

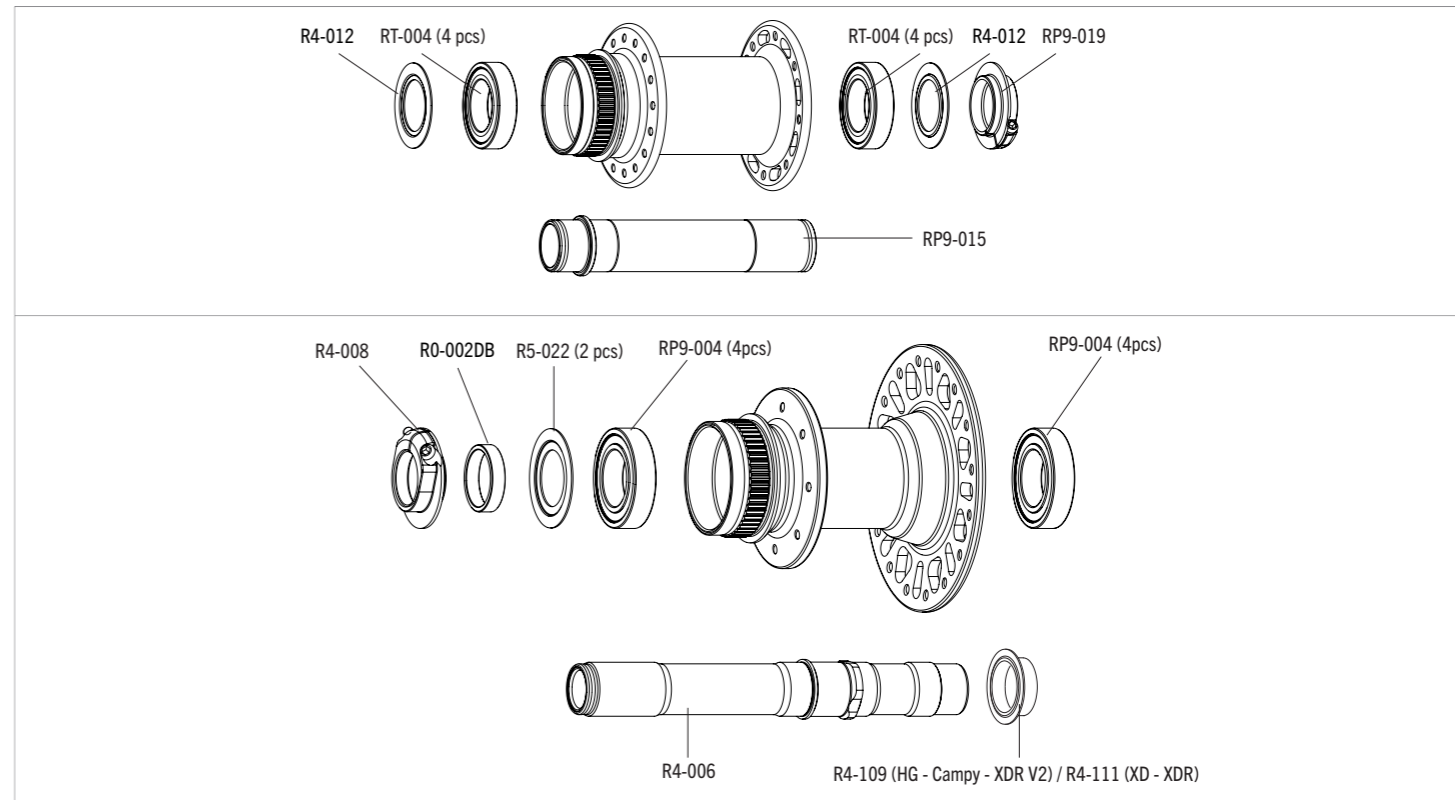
Spacer for HG fw body	RS-004	5 pcs - to be used only with 9/10s sprockets <i>(HG11 FW body package contains the spacer)</i>
KIT QR + QUICK RELEASE - FRONT	R5-QF16K	for front wheel - adapters + quick-release skewer
KIT QR + QUICK RELEASE - REAR	R5-QR16K	for rear wheel - adapters + quick-release skewer

ADAPTERS FOR FRONT AND REAR AXLES ON PAGE 140

RACING 7™ DB CLINCHER

AFS

HUBS/MOZZI



Complete FW body / Corpetti RL completi

R0-113 (HG 9/12) - RS-005 (Campagnolo) - R0-126 (XDR V2)

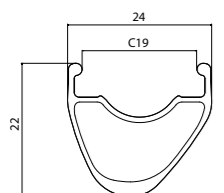
See exploded view pag. 132

RACING 700 DB CLINCHER

AFS

RIMS & SPOKES/CERCHI E RAGGI

RIM

	RIM-TAPE LABEL KIT VALVE HOLE DIAMETER	R7-RT01 (23 mm - 2 pcs) R700-LAB18D (front+rear) 6,5 mm 622 X 19C
---	---	--

SPOKES

SPOKE L. 283 (front RH)	R7F-DS283	4 spokes + 4 nipples
SPOKE L. 292 (front LH)	R7F-DS292	4 spokes + 4 nipples
SPOKE L. 290 (rear RH)	R7R-DS290	4 spokes + 4 nipples
SPOKE L. 277 (rear LH)	R7R-DS277	4 spokes + 4 nipples
NIPPLES	RZ7-B	50 pcs

ACCESSORIES

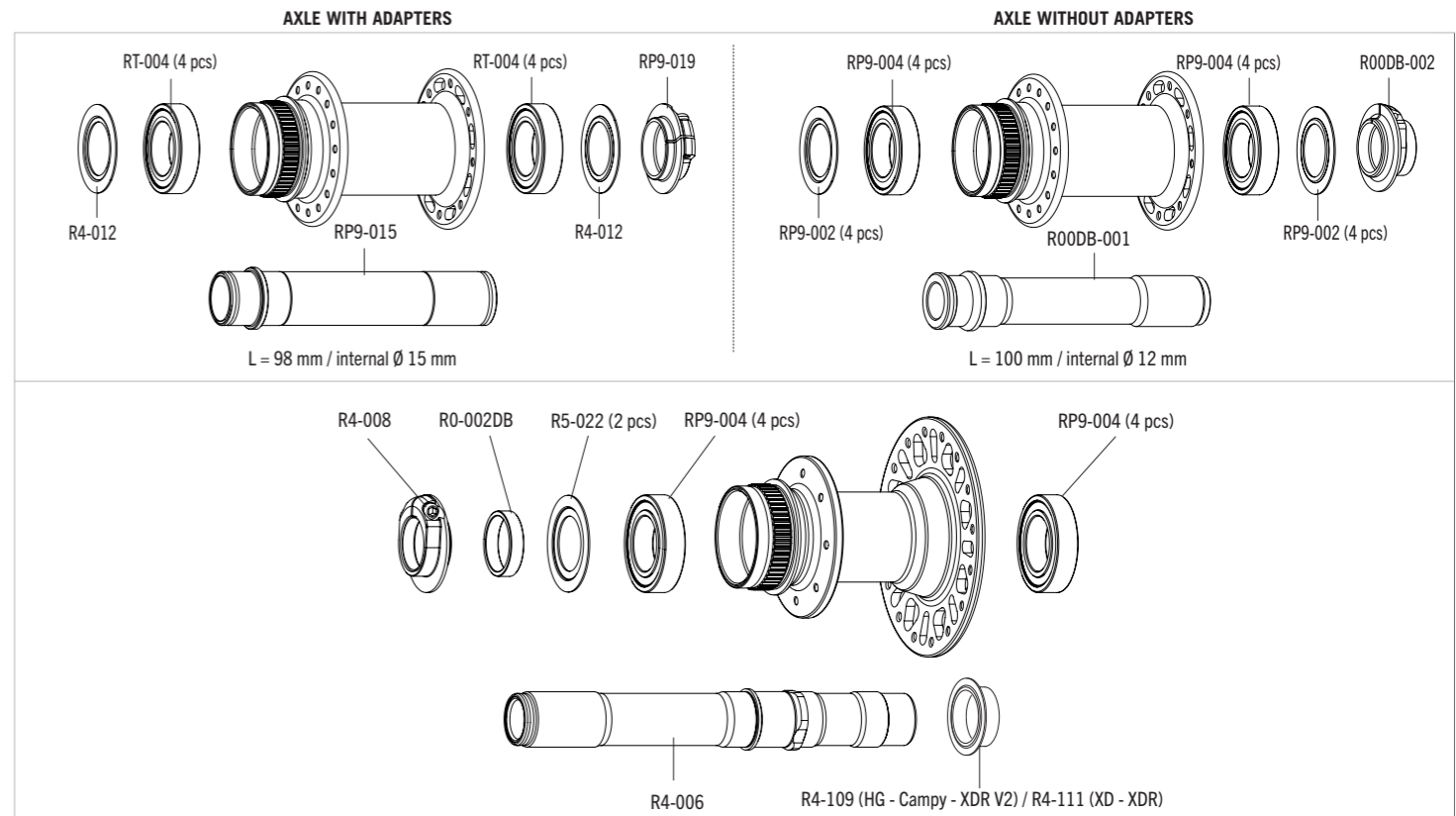
Spacer for HG fw body	RS-004	5 pcs - to be used only with 9/10s sprockets (HG11 FW body package contains the spacer)
KIT QR + QUICK RELEASE - FRONT	R5-QF16K	for front wheel - adapters + quick-release skewer
KIT QR + QUICK RELEASE - REAR	R5-QR16K	for rear wheel - adapters + quick-release skewer

ADAPTERS FOR FRONT AND REAR AXLES ON PAGE 140

RACING 700 DB CLINCHER

AFS

HUBS/MOZZI



Complete FW body / Corpetti RL completi

R0-113 (HG 9/12) - RS-005 (Campagnolo) - R0-126 (XDR V2)

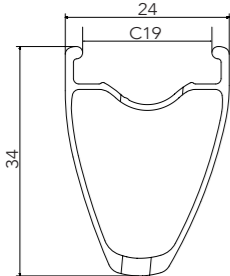
See exploded view pag. 132

RACING 800 DB

AFS

RIMS & SPOKES/CERCHI E RAGGI

RIM

	VALVE HOLE DIAMETER	6,5 mm 622 X 19C
---	---------------------	---------------------

SPOKES

FRONT LH SPOKE L. 272.5	R8DB-016	4 spokes + 4 nipples
FRONT RH SPOKE L. 265	R8DB-017	4 spokes + 4 nipples
REAR RIGHT SPOKE L. 269.5	R8DB-018	4 spokes + 4 nipples
REAR LEFT SPOKE L. 260.5	R8DB-019	4 spokes + 4 nipples
NIPPLES	50-R8-016BR	50 pcs

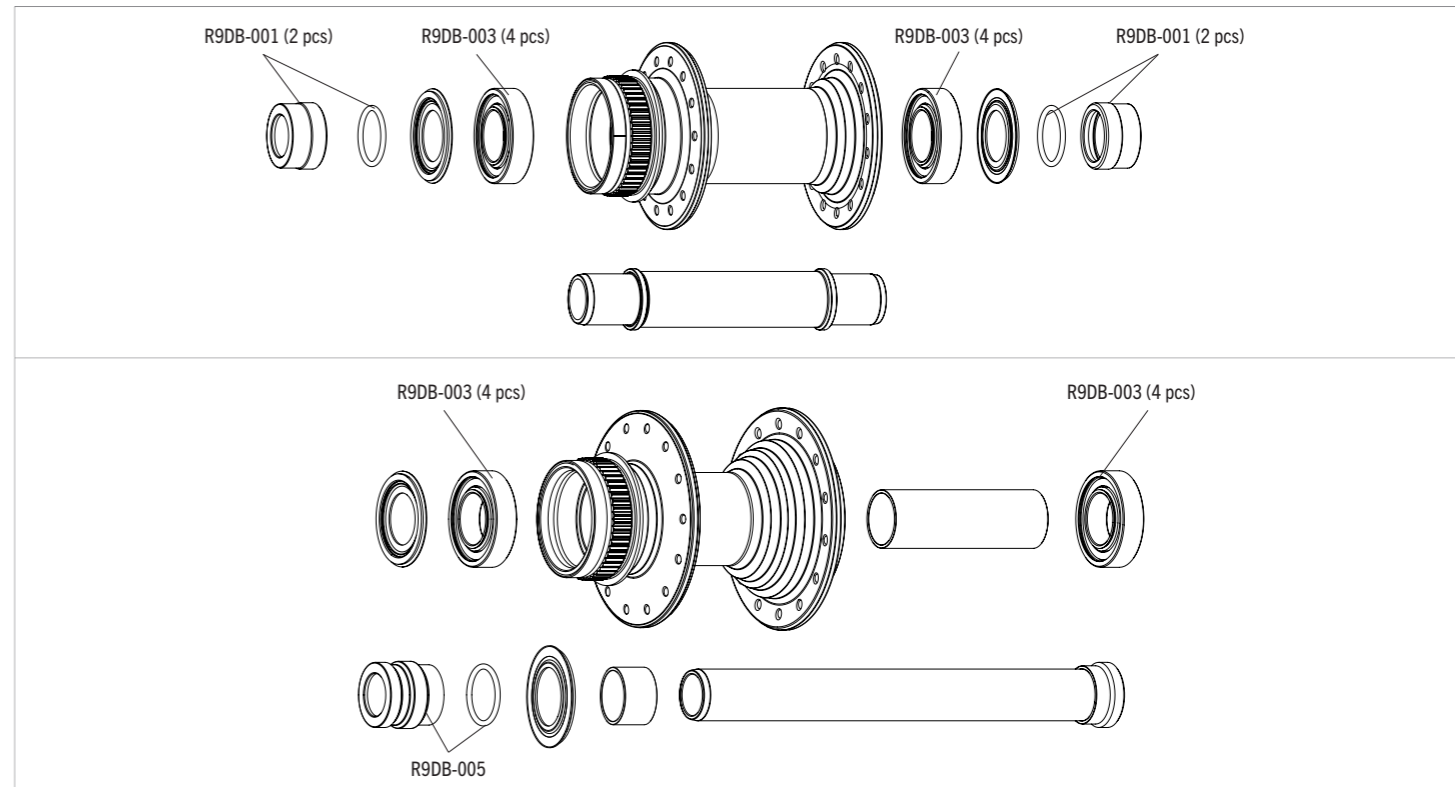
ACCESSORIES

Spacer for HG fw body	RS-004	5 pcs - to be used only with 9/10s sprockets (HG11 FW body package contains the spacer)
-----------------------	--------	--

RACING 800 DB

AFS

HUBS/MOZZI



Complete FW body Ø 33 mm /
Corpetti RL completi Ø 33 mm

R0-201 (HG 9/12) - R0-203 (Campy N3W for 13s / buy from Campy adapter AC21-N3W for 11-12s) -
R0-202 (XDR)

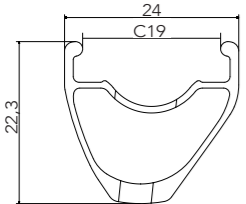
See exploded view pag. 132

RACING 900B DB

AFS

RIMS & SPOKES/CERCHI E RAGGI

RIM

	VALVE HOLE DIAMETER	6,5 mm 27,5" X 19C
---	------------------------	-----------------------

SPOKES

FRONT LH SPOKE L. 265	R96BDB-016	4 spokes + 4 nipples
FRONT RH SPOKE L. 258	R96BDB-017	4 spokes + 4 nipples
REAR RIGHT SPOKE L. 263	R96BDB-018	4 spokes + 4 nipples
REAR LEFT SPOKE L. 253	R96BDB-019	4 spokes + 4 nipples
NIPPLES	50-R3-N	50 pcs

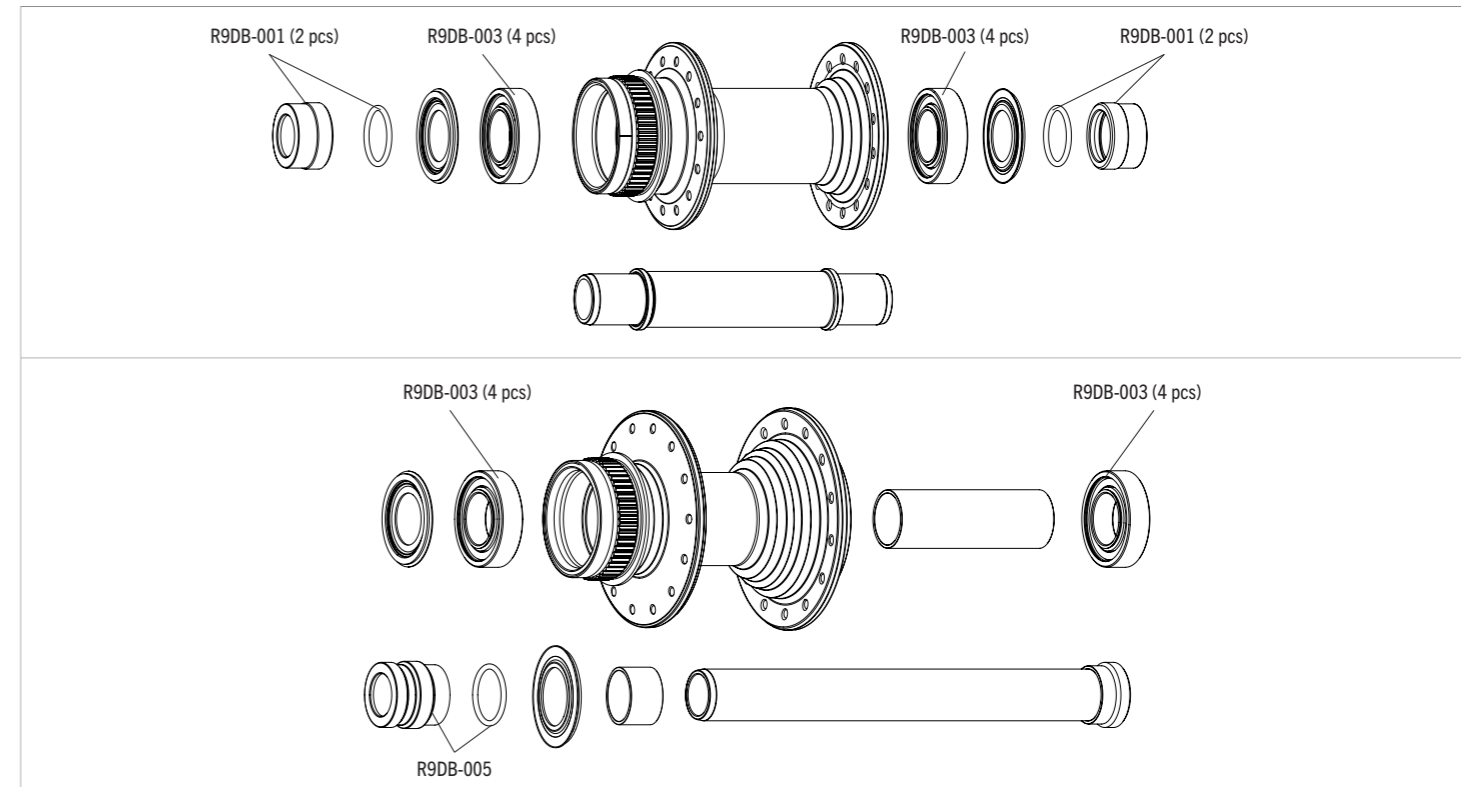
ACCESSORIES

Spacer for HG fw body	RS-004	5 pcs - to be used only with 9/10s sprockets (HG11 FW body package contains the spacer)
-----------------------	--------	--

RACING 900B DB

AFS

HUBS/MOZZI



Complete FW body Ø 33 mm /
Corpetti RL completi Ø 33 mm

R0-201 (HG 9/12) - R0-203 (Campy N3W for 13s / buy from Campy adapter AC21-N3W for 11-12s) - R0-202 (XDR)

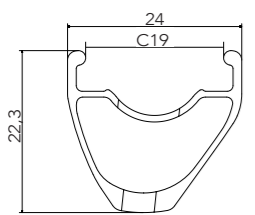
See exploded view pag. 132

RACING 900 DB (MY 2021 - 2022)

AFS

RIMS & SPOKES/CERCHI E RAGGI

RIM

	VALVE HOLE DIAMETER	6,5 mm 622 X 19C
---	---------------------	---------------------

SPOKES

FRONT LH SPOKE L. 284.5	R9DB-016	4 spokes + 4 nipples
FRONT RH SPOKE L. 277	R9DB-017	4 spokes + 4 nipples
REAR RIGHT SPOKE L. 281.5	R9DB-018	4 spokes + 4 nipples
REAR LEFT SPOKE L. 272.5	R9DB-019	4 spokes + 4 nipples
NIPPLES	50-R3-N	50 pcs

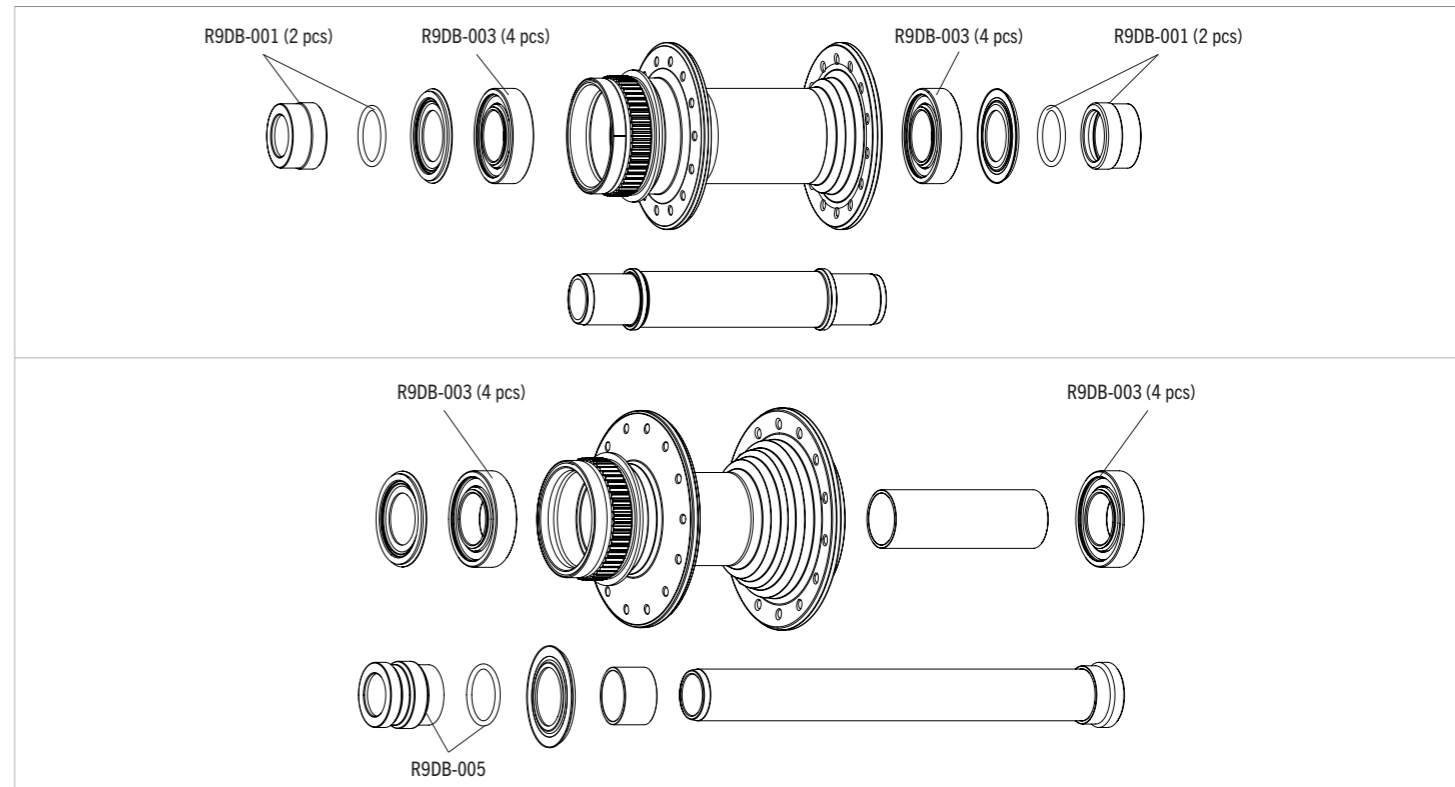
ACCESSORIES

Spacer for HG fw body	RS-004	5 pcs - to be used only with 9/10s sprockets (HG11 FW body package contains the spacer)
-----------------------	--------	--

RACING 900 DB (MY 2021 - 2022)

AFS

HUBS/MOZZI



Complete FW body Ø 33 mm /
Corpetti RL completi Ø 33 mm

R0-201 (HG 9/12) - R0-203 (Campy N3W for 13s / buy from Campy adapter AC21-N3W for 11-12s) - R0-202 (XDR)

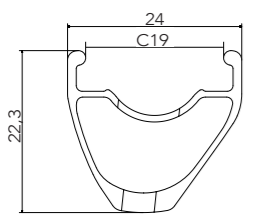
See exploded view pag. 132

RACING 900 DB (MY 2020)

AFS

RIMS & SPOKES/CERCHI E RAGGI

RIM

	VALVE HOLE DIAMETER	6,5 mm 622 X 19C
---	---------------------	---------------------

SPOKES

FRONT LH SPOKE L. 284.5	R9DB-016	4 spokes + 4 nipples
FRONT RH SPOKE L. 277	R9DB-017	4 spokes + 4 nipples
REAR RIGHT SPOKE L. 281.5	R9DB-018	4 spokes + 4 nipples
REAR LEFT SPOKE L. 272.5	R9DB-019	4 spokes + 4 nipples
NIPPLES	50-R3-N	50 pcs

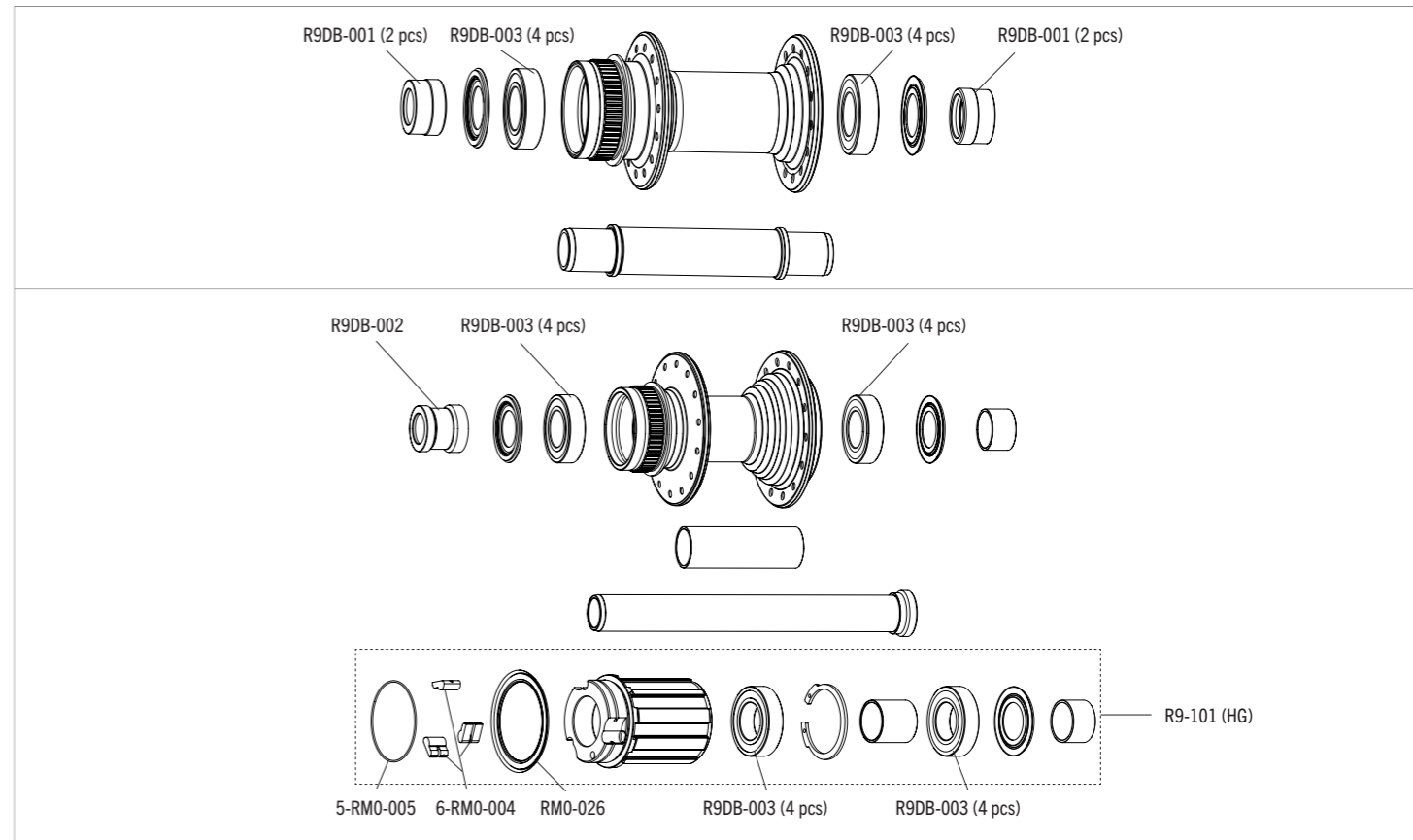
ACCESSORIES

Spacer for HG fw body	RS-004	5 pcs - to be used only with 9/10s sprockets (HG11 FW body package contains the spacer)
-----------------------	--------	--

RACING 900 DB (MY 2020)

AFS

HUBS/MOZZI

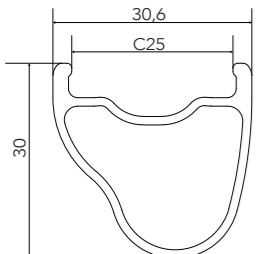


RAPID RED CARBON

AFS
front: 12mm ta
rear: 12mm ta 142

RIMS & SPOKES/CERCHI E RAGGI

RIM

	<p>FRONT / REAR RIM VALVE HOLE BUSHING VALVE DIAMETER</p>	<p>RRC-FR22 (with labels) RWX-014 (5 pcs) M1-044 29</p>
---	---	---

SPOKES

<p>COMPLETE FRONT/REAR LEFT SPOKE L. 292,5 COMPLETE REAR RIGHT SPOKE L. 291</p>	<p>RRC-016 RRC-017 50-RZ3-ABSL</p>	<p>4 spokes + 4 nipples 4 spokes + 4 nipples 50 pcs.</p>
<p>NIPPLES</p>		

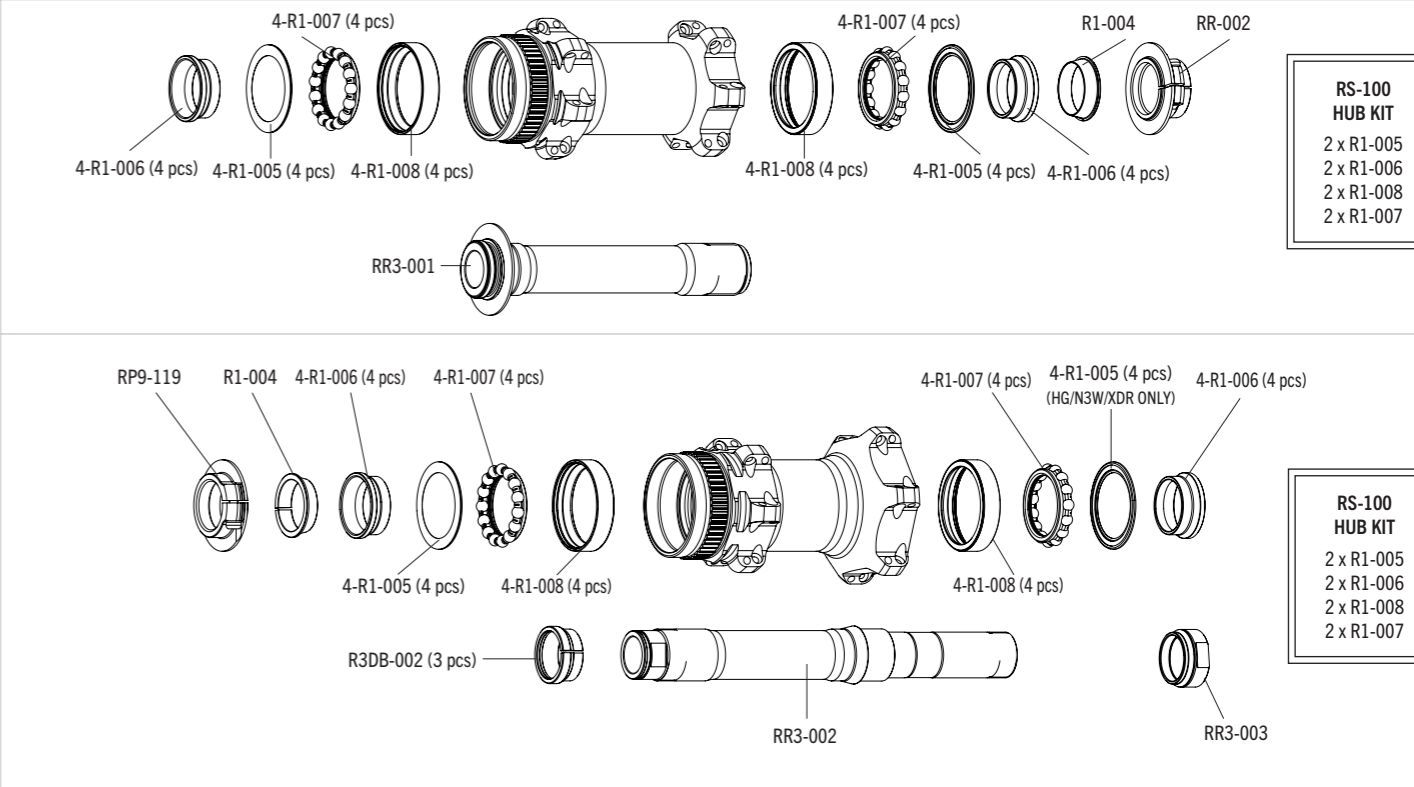
ACCESSORIES

<p>Spacer for HG fw body</p>	<p>RS-004</p>	<p>5 pcs - to be used only with 9/10s sprockets (HG11 FW body package contains the spacer)</p>
------------------------------	---------------	--

RAPID RED CARBON

AFS
front: 12mm ta
rear: 12mm ta 142

HUBS/MOZZI



4-R1-007 (4 pcs)
4-R1-006 (4 pcs) 4-R1-005 (4 pcs) 4-R1-008 (4 pcs) 4-R1-008 (4 pcs) 4-R1-005 (4 pcs) 4-R1-006 (4 pcs) R1-004 RR-002
RR3-001
RP9-119 R1-004 4-R1-006 (4 pcs) 4-R1-007 (4 pcs) 4-R1-005 (4 pcs) 4-R1-008 (4 pcs) 4-R1-007 (4 pcs) 4-R1-005 (4 pcs) (HG/N3W/XDR ONLY) 4-R1-006 (4 pcs)
R3DB-002 (3 pcs) RR3-002 RR3-003

RS-100 HUB KIT
2 x R1-005
2 x R1-006
2 x R1-008
2 x R1-007

RS-100 HUB KIT
2 x R1-005
2 x R1-006
2 x R1-008
2 x R1-007

Complete FW body Ø 33 mm /
Corpetti RL completi Ø 33 mm

R0-201 (HG 9/12) - R0-203 (Campy N3W for 13s / buy from Campy adapter AC21-N3W for 11-12s) - R0-202 (XDR)

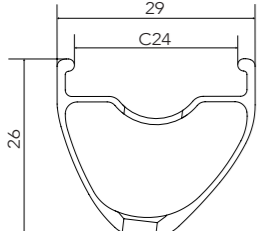
See exploded view pag. 132

RAPID RED 3 / 300 650B

AFS
front: 12mm ta
rear: 12mm ta 142

RIMS & SPOKES/CERCHI E RAGGI

RIM

	<p>LABEL KIT VALVE HOLE 2WF-READY TAPE DIAMETER</p>	<p>RR-LAB20273 (front+rear Rapid Red 3 650B DB) - RR-LAB2027300 (front+rear Rapid Red 300 650B DB) 7,5 mm RR-007 (L=5 m - W=28 mm) 27,5 2WF-Ready</p>
---	---	---

SPOKES

FRONT RIGHT L=270 mm	RR327-017	4 spokes + 4 nipples
FRONT LEFT/REAR RIGHT L=276,5 mm	RR327-016	4 spokes + 4 nipples
REAR LEFT L=272 mm	RR327-019	4 spokes + 4 nipples
NIPPLES	50-EMF-015ALB	50 pcs.

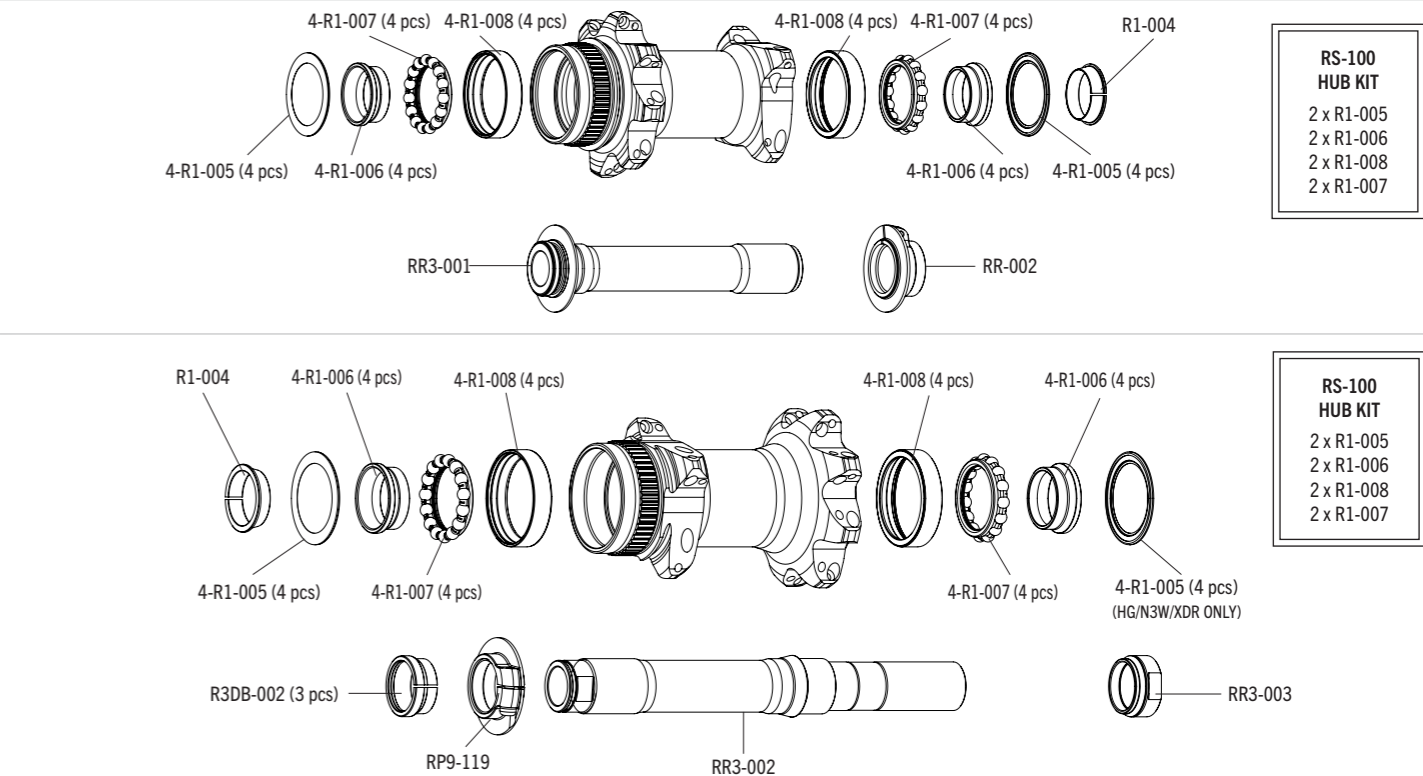
ACCESSORIES

Spacer for HG fw body	RS-004	5 pcs - to be used only with 9/10s sprockets (HG11 FW body package contains the spacer)
-----------------------	--------	--

RAPID RED 3 / 300 650B

AFS
front: 12mm ta
rear: 12mm ta 142

HUBS/MOZZI



RS-100 HUB KIT
2 x R1-005
2 x R1-006
2 x R1-008
2 x R1-007

RS-100 HUB KIT
2 x R1-005
2 x R1-006
2 x R1-008
2 x R1-007

Complete FW body Ø 33 mm /
Corpetti RL completi Ø 33 mm

R0-201 (HG 9/12) - R0-203 (Campy N3W for 13s / buy from Campy adapter AC21-N3W for 11-12s) - R0-202 (XDR)

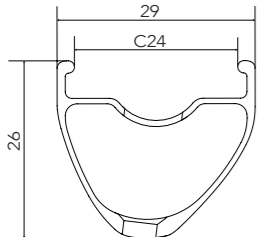
See exploded view pag. 132

RAPID RED 3 / 300 700c

AFS
front: 12mm ta
rear: 12mm ta 142

RIMS & SPOKES/CERCHI E RAGGI

RIM

	<p>LABEL KIT VALVE HOLE 2WF-READY TAPE DIAMETER</p>	<p>RR-LAB20293 (front+rear Rapid Red 3) - RR-LAB2029300 (front+rear Rapid Red 300) 7,5 mm RR-007 (L=5 m - W=28 mm) 29 2WF-Ready</p>
---	---	---

SPOKES

FRONT RIGHT L=289 mm	RR329-017	4 spokes + 4 nipples
FRONT LEFT/REAR RIGHT L=295,5 mm	RR329-016	4 spokes + 4 nipples
REAR LEFT L=291,5 mm	RR329-019	4 spokes + 4 nipples
NIPPLES	50-EMF-015ALB	50 pcs.

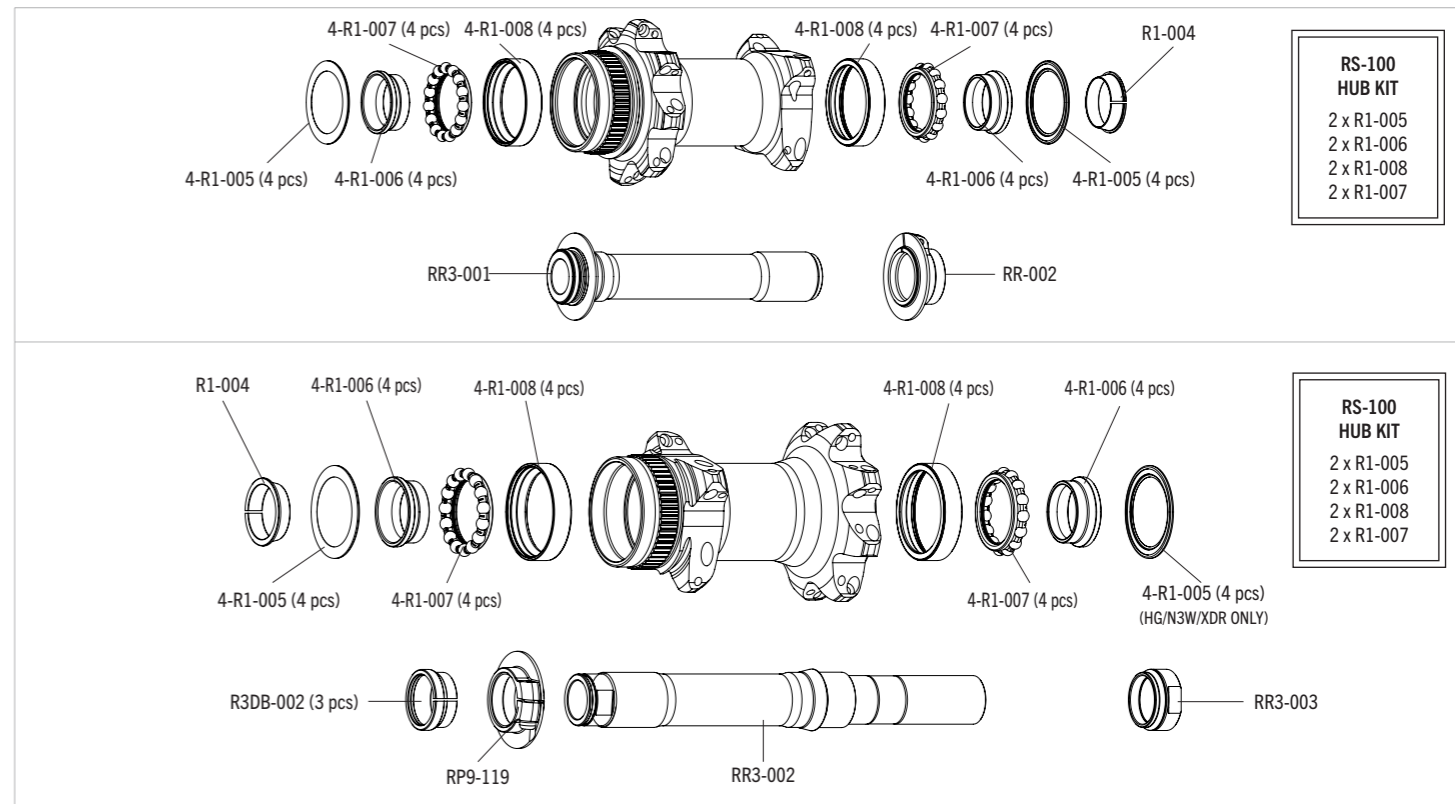
ACCESSORIES

Spacer for HG fw body	RS-004	5 pcs - to be used only with 9/10s sprockets (HG11 FW body package contains the spacer)

RAPID RED 3 / 300 700c

AFS
front: 12mm ta
rear: 12mm ta 142

HUBS/MOZZI



RS-100 HUB KIT
2 x R1-005
2 x R1-006
2 x R1-008
2 x R1-007

RS-100 HUB KIT
2 x R1-005
2 x R1-006
2 x R1-008
2 x R1-007

Labels in diagrams: 4-R1-007 (4 pcs), 4-R1-008 (4 pcs), 4-R1-008 (4 pcs), 4-R1-007 (4 pcs), R1-004, 4-R1-005 (4 pcs), 4-R1-006 (4 pcs), 4-R1-006 (4 pcs), 4-R1-005 (4 pcs), RR3-001, RR-002, R1-004, 4-R1-006 (4 pcs), 4-R1-008 (4 pcs), 4-R1-008 (4 pcs), 4-R1-006 (4 pcs), 4-R1-005 (4 pcs) (HG/N3W/XDR ONLY), R3DB-002 (3 pcs), RP9-119, RR3-002, RR3-003.

Complete FW body Ø 33 mm /
Corpetti RL completi Ø 33 mm

R0-201 (HG 9/12) - R0-203 (Campy N3W for 13s / buy from Campy adapter AC21-N3W for 11-12s) - R0-202 (XDR)

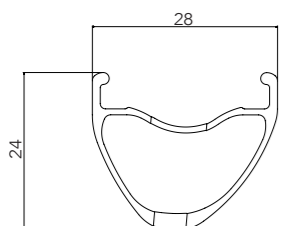
See exploded view pag. 132

RAPID RED 5 650B

AFS/HG11 - XDR
front: 12mm ta
rear: 12mm ta 142

RIMS & SPOKES/CERCHI E RAGGI

RIM

	<p>LABEL KIT VALVE HOLE 2WF-READY TAPE DIAMETER</p>	<p>RR-LAB19275 (front+rear Rapid Red 5 650B) 7,5 mm RR-007 (5 m) 27,5 2WF-Ready</p>
--	---	---

SPOKES

COMPLETE FRONT RH / REAR LH SPOKE 271,5	RR-016	4 spokes + 4 nipples
COMPLETE FRONT LH / REAR RH SPOKE 276	RR-017	4 spokes + 4 nipples
NIPPLES	R5-B01	50 pcs.

ACCESSORIES

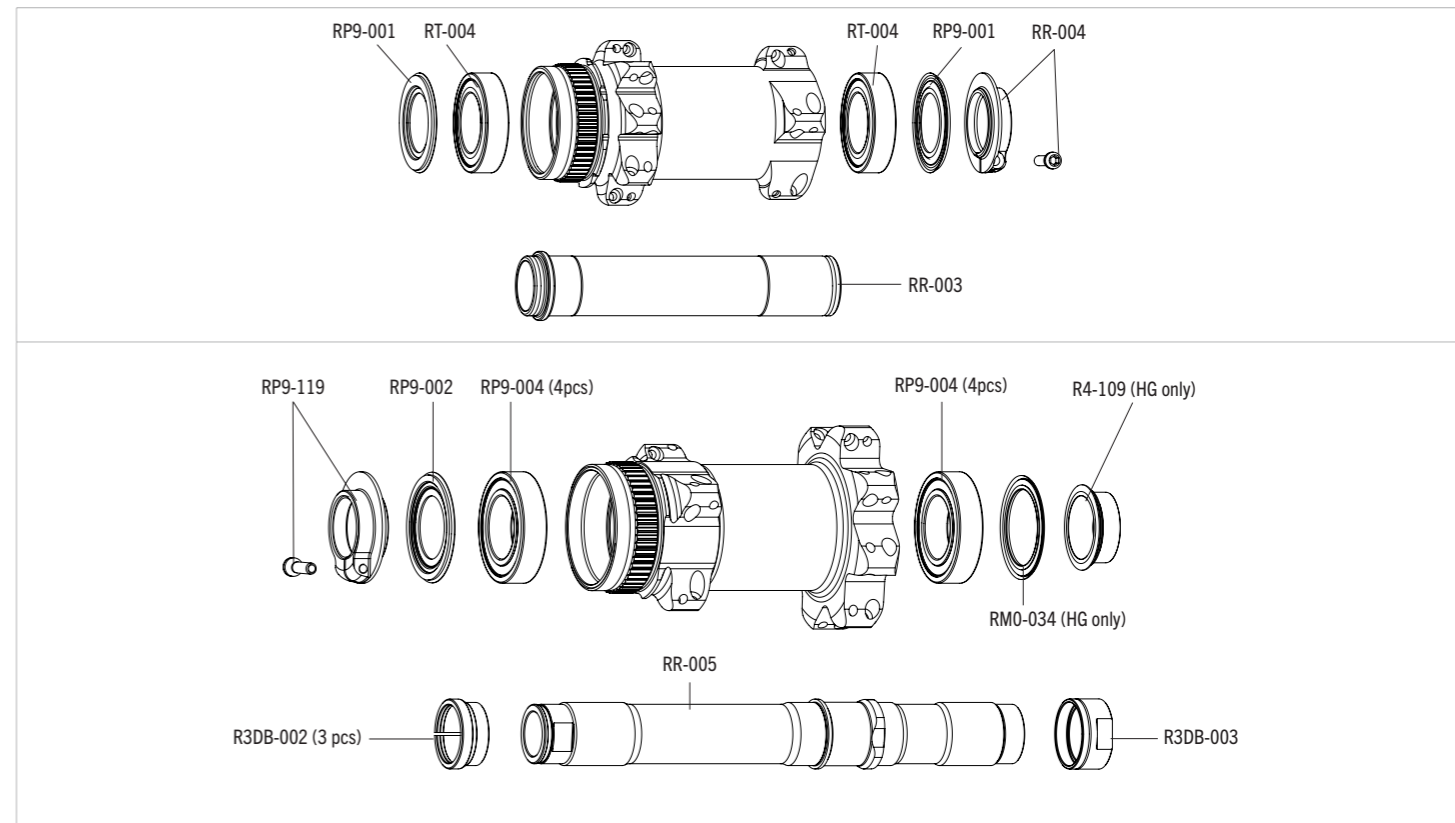
Spacer for HG fw body	RS-004	5 pcs - to be used only with 9/10s sprockets (HG11 FW body package contains the spacer)
-----------------------	--------	--

ADAPTERS FOR FRONT AXLES ON PAGE 140

RAPID RED 5 650B

AFS/HG11 - XDR
front: 12mm ta
rear: 12mm ta 142

HUBS/MOZZI



Complete FW body / Corpetti RL completi

R0-113 (HG 9/12) - R0-126 (XDR V2)

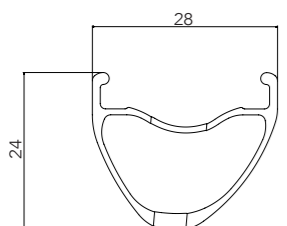
See exploded view pag. 132

RAPID RED 5 650B

AFS/N3W
front: 12mm ta
rear: 12mm ta 142

RIMS & SPOKES/CERCHI E RAGGI

RIM

	<p>LABEL KIT VALVE HOLE 2WF-READY TAPE DIAMETER</p>	<p>RR-LAB19275 (front+rear Rapid Red 5 650B) 7,5 mm RR-007 (5 m) 27,5 2WF-Ready</p>
--	---	---

SPOKES

COMPLETE FRONT RH / REAR LH SPOKE 271,5	RR-016	4 spokes + 4 nipples
COMPLETE FRONT LH / REAR RH SPOKE 276	RR-017	4 spokes + 4 nipples
NIPPLES	R5-B01	50 pcs.

ACCESSORIES

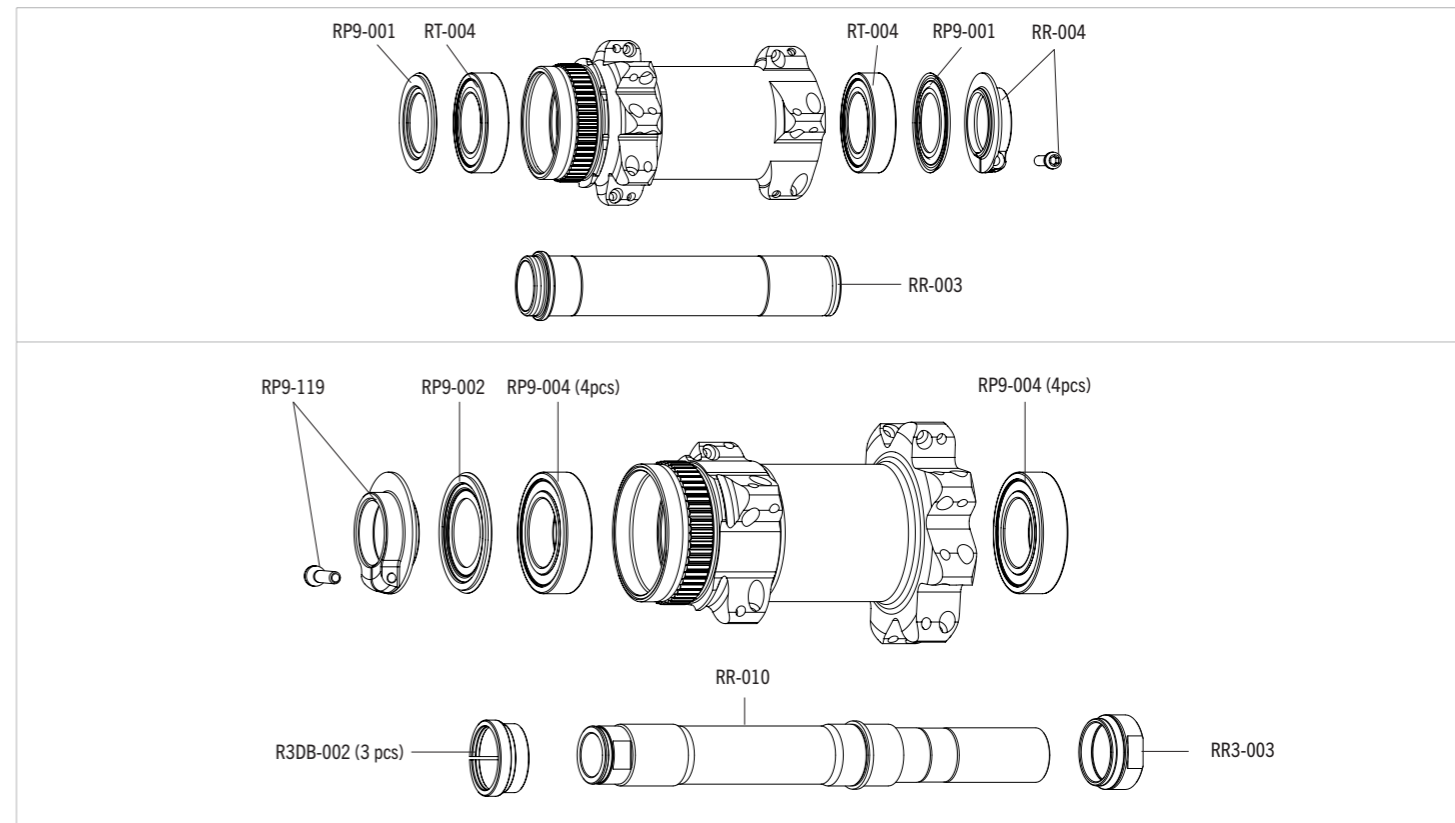
Spacer for HG fw body	RS-004	5 pcs - to be used only with 9/10s sprockets (HG11 FW body package contains the spacer)
-----------------------	--------	--

ADAPTERS FOR FRONT AXLES ON PAGE 140

RAPID RED 5 650B

AFS/N3W
front: 12mm ta
rear: 12mm ta 142

HUBS/MOZZI



FW body d.30 mm/Corpetto RL completo

R0-204 (Campy N3W for 13s)

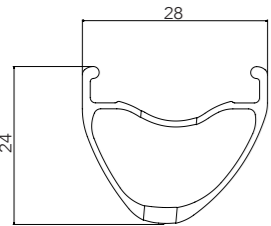
See exploded view pag. 132

RAPID RED 500 650B

AFS/HG11 - XDR
front: 12mm ta
rear: 12mm ta 142

RIMS & SPOKES/CERCHI E RAGGI

RIM

	<p>LABEL KIT VALVE HOLE 2WF-READY TAPE DIAMETER</p>	<p>RR-LAB1927500 (front+rear Rapid Red 500 650B) 7,5 mm RR-007 (5 m) 27,5 2WF-Ready</p>
---	---	---

SPOKES

COMPLETE FRONT RH / REAR LH SPOKE 271,5	RR-016	4 spokes + 4 nipples
COMPLETE FRONT LH / REAR RH SPOKE 276	RR-017	4 spokes + 4 nipples
NIPPLES	R5-B01	50 pcs.

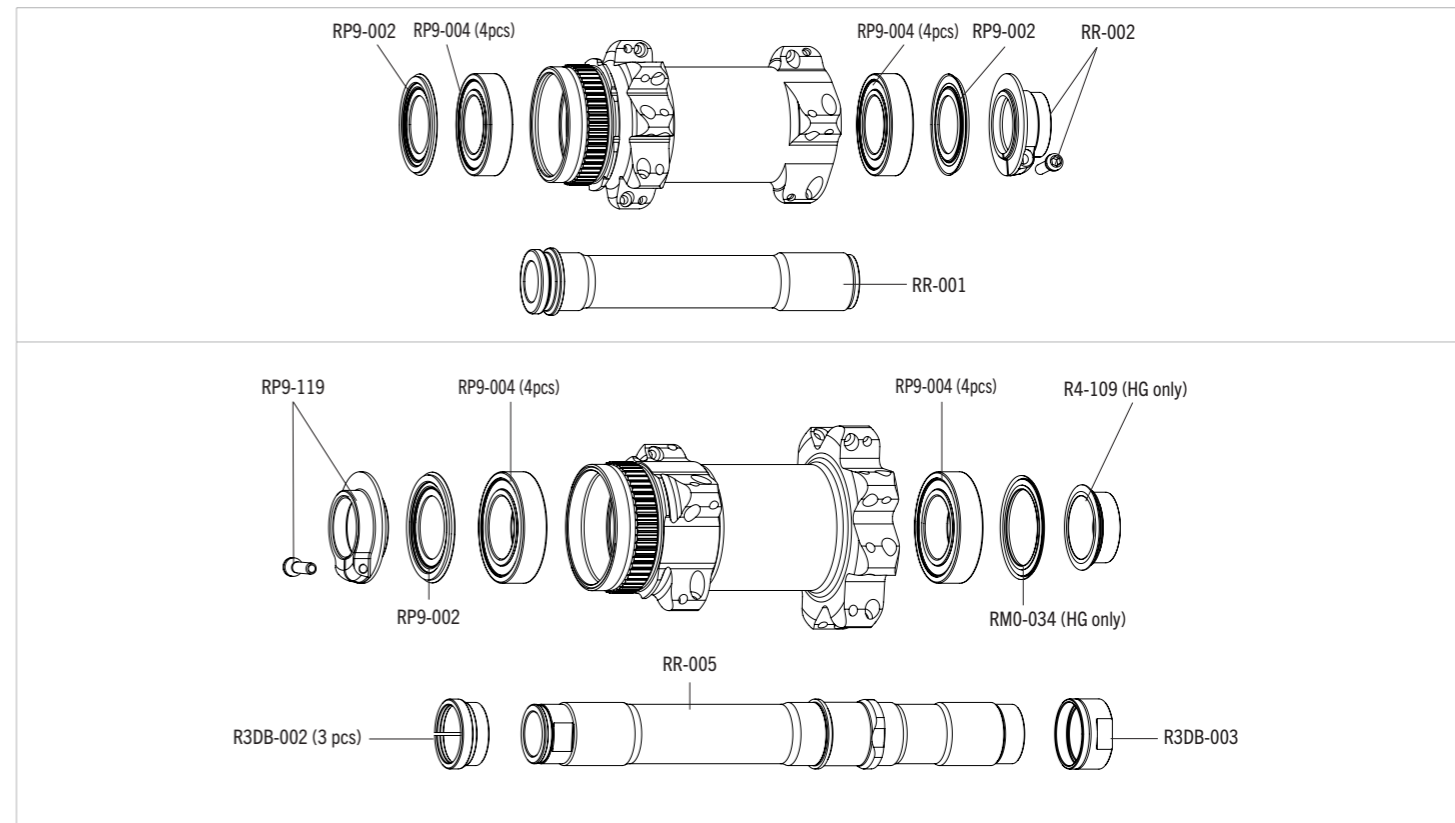
ACCESSORIES

Spacer for HG fw body	RS-004	5 pcs - to be used only with 9/10s sprockets (HG11 FW body package contains the spacer)
-----------------------	--------	--

RAPID RED 500 650B

AFS/HG11 - XDR
front: 12mm ta
rear: 12mm ta 142

HUBS/MOZZI



Complete FW body / Corpetti RL completi

R0-113 (HG 9/12) - R0-126 (XDR V2)

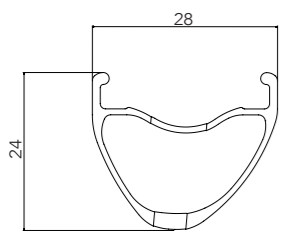
See exploded view pag. 132

RAPID RED 500 650B

AFS/N3W
front: 12mm ta
rear: 12mm ta 142

RIMS & SPOKES/CERCHI E RAGGI

RIM

	<p>LABEL KIT VALVE HOLE 2WF-READY TAPE DIAMETER</p>	<p>RR-LAB1927500 (front+rear Rapid Red 500 650B) 7,5 mm RR-007 (5 m) 27,5 2WF-Ready</p>
--	---	---

SPOKES

COMPLETE FRONT RH / REAR LH SPOKE 271,5	RR-016	4 spokes + 4 nipples
COMPLETE FRONT LH / REAR RH SPOKE 276	RR-017	4 spokes + 4 nipples
NIPPLES	R5-B01	50 pcs.

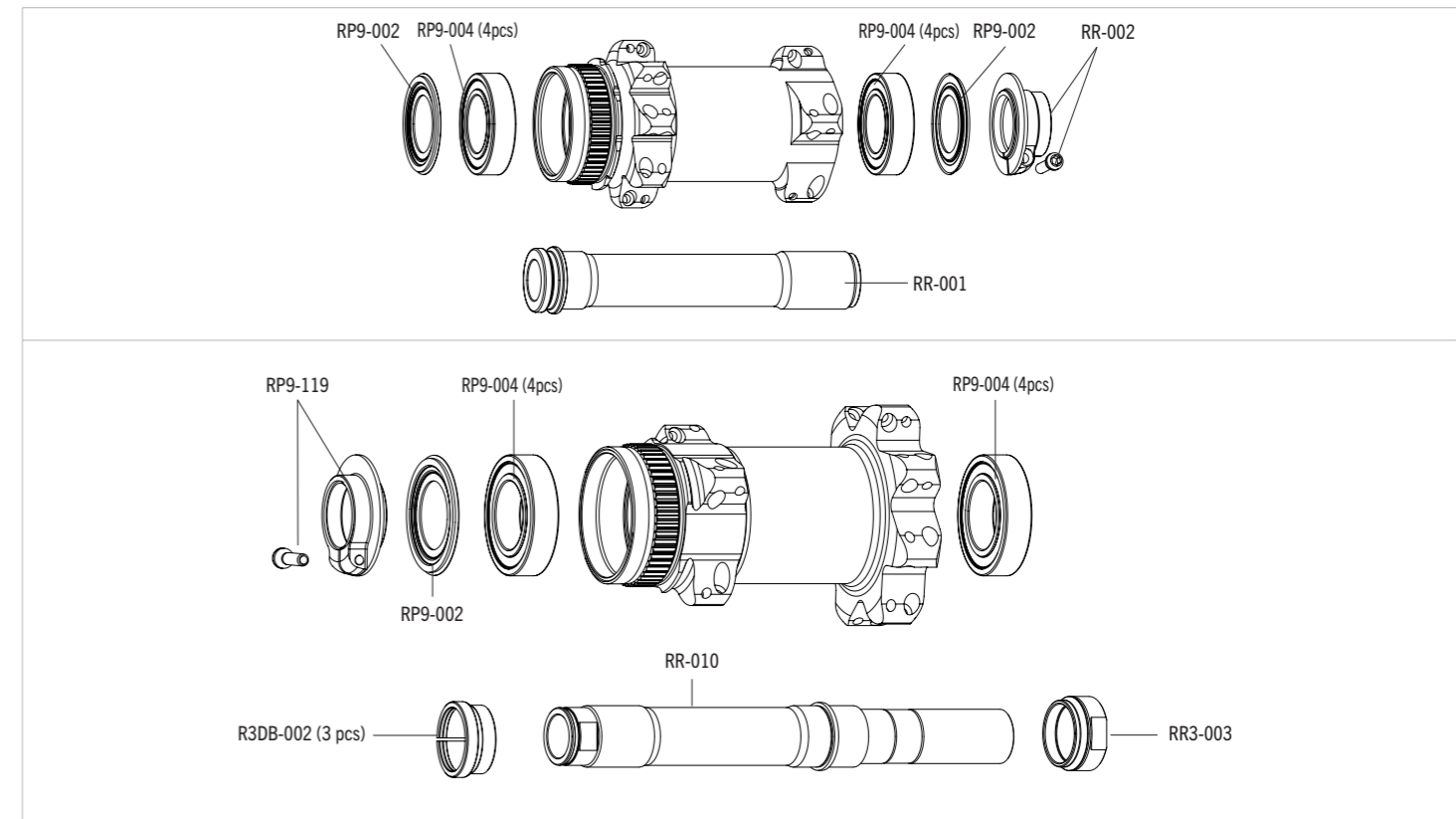
ACCESSORIES

Spacer for HG fw body	RS-004	5 pcs - to be used only with 9/10s sprockets (HG11 FW body package contains the spacer)
-----------------------	--------	--

RAPID RED 500 650B

AFS/N3W
front: 12mm ta
rear: 12mm ta 142

HUBS/MOZZI



FW body d.30 mm/Corpetto RL completo

R0-204 (Campy N3W for 13s)

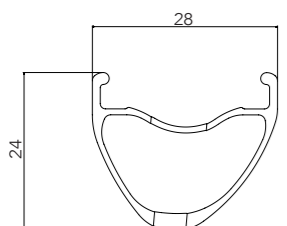
See exploded view pag. 132

RAPID RED 5 700c

AFS/HG11 - XDR
front: 12mm ta
rear: 12mm ta 142

RIMS & SPOKES/CERCHI E RAGGI

RIM

	<p>LABEL KIT VALVE HOLE 2WF-READY TAPE DIAMETER</p>	<p>RR-LAB19295 (front+rear Rapid Red 5 700C) 7,5 mm RR-007 (5 m) 29 2WF-Ready</p>
--	---	---

SPOKES

COMPLETE FRONT RH / REAR LH SPOKE 290,5	RR-018	4 spokes + 4 nipples
COMPLETE FRONT LH / REAR RH SPOKE 294,5	RR-019	4 spokes + 4 nipples
NIPPLES	R5-B01	50 pcs.

ACCESSORIES

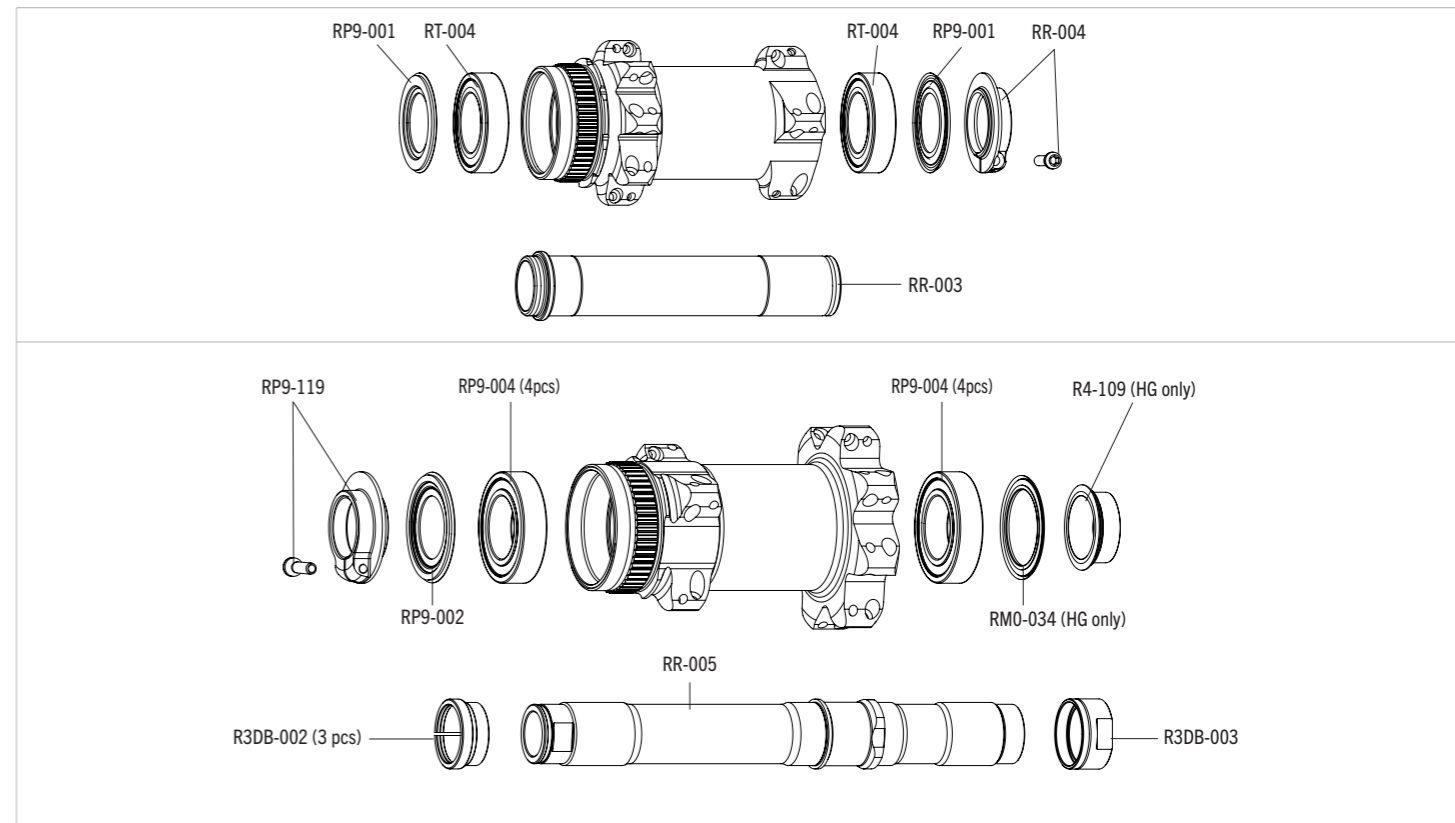
Spacer for HG fw body	RS-004	5 pcs - to be used only with 9/10s sprockets (HG11 FW body package contains the spacer)
-----------------------	--------	--

ADAPTERS FOR FRONT AXLES ON PAGE 140

RAPID RED 5 700c

AFS/HG11 - XDR
front: 12mm ta
rear: 12mm ta 142

HUBS/MOZZI



Complete FW body / Corpetti RL completi

R0-113 (HG 9/12) - R0-126 (XDR V2)

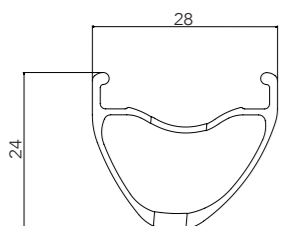
See exploded view pag. 132

RAPID RED 5 700c

AFS/N3W
front: 12mm ta
rear: 12mm ta 142

RIMS & SPOKES/CERCHI E RAGGI

RIM

	<p>LABEL KIT VALVE HOLE 2WF-READY TAPE DIAMETER</p>	<p>RR-LAB19295 (front+rear Rapid Red 5 700c) 7,5 mm RR-007 (5 m) 29 2WF-Ready</p>
--	---	---

SPOKES

COMPLETE FRONT RH / REAR LH SPOKE 290,5	RR-018	4 spokes + 4 nipples
COMPLETE FRONT LH / REAR RH SPOKE 294,5	RR-019	4 spokes + 4 nipples
NIPPLES	R5-B01	50 pcs.

ACCESSORIES

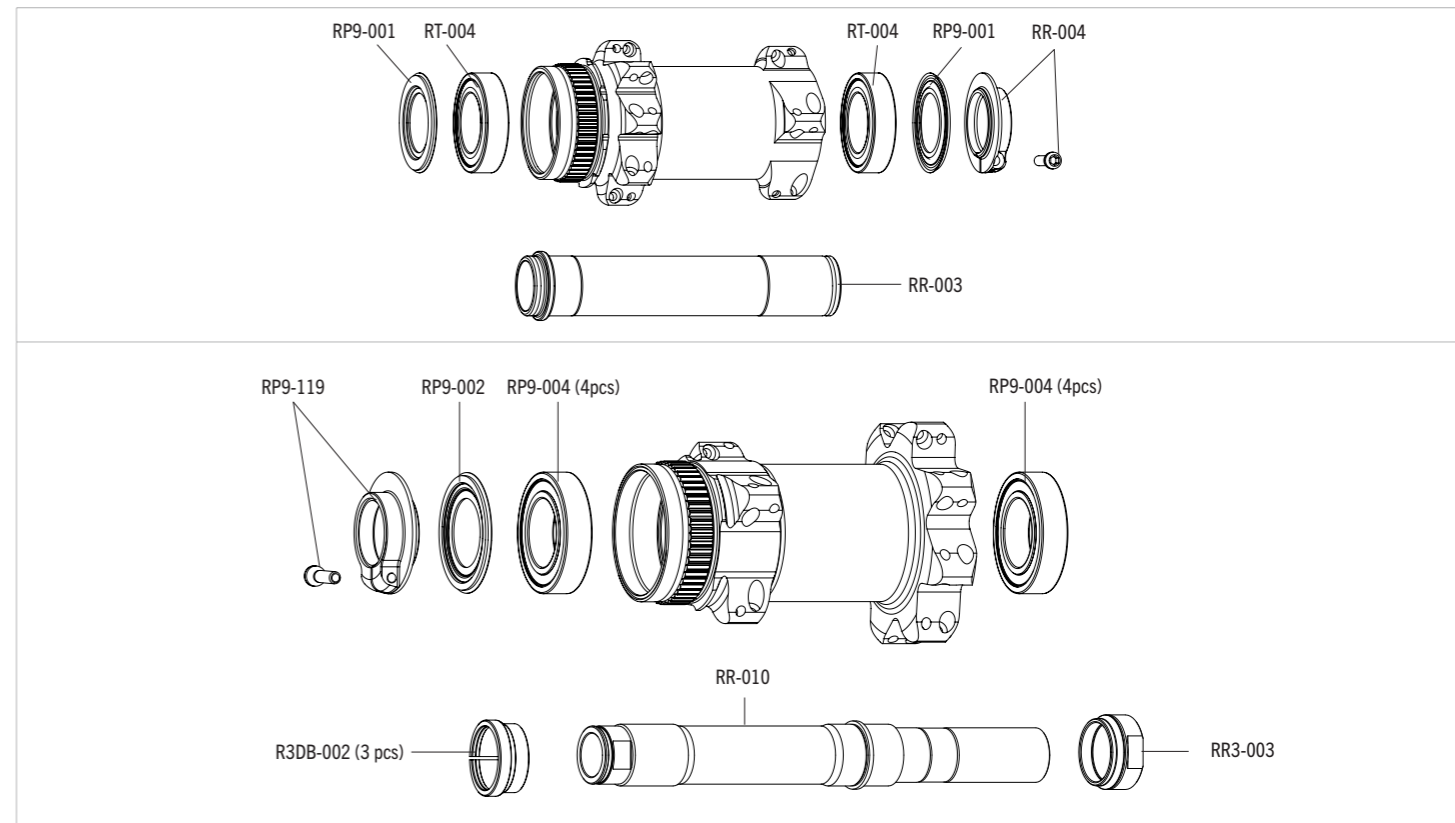
Spacer for HG fw body	RS-004	5 pcs - to be used only with 9/10s sprockets (HG11 FW body package contains the spacer)
-----------------------	--------	--

ADAPTERS FOR FRONT AXLES ON PAGE 140

RAPID RED 5 700c

AFS/N3W
front: 12mm ta
rear: 12mm ta 142

HUBS/MOZZI



FW body d.30 mm/Corpetto RL completo

R0-204 (Campy N3W for 13s)

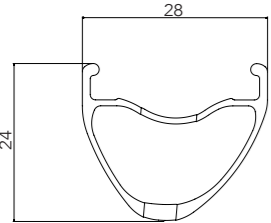
See exploded view pag. 132

RAPID RED 500 700c

AFS/HG11 - XDR
front: 12mm ta
rear: 12mm ta 142

RIMS & SPOKES/CERCHI E RAGGI

RIM

	<p>LABEL KIT VALVE HOLE 2WF-READY TAPE DIAMETER</p>	<p>RR-LAB1929500 (front+rear Rapid Red 500 700C) 7,5 mm RR-007 (5 m) 29 2WF-Ready</p>
---	---	---

SPOKES

COMPLETE FRONT RH / REAR LH SPOKE 290,5	RR-018	4 spokes + 4 nipples
COMPLETE FRONT LH / REAR RH SPOKE 294,5	RR-019	4 spokes + 4 nipples
NIPPLES	R5-B01	50 pcs.

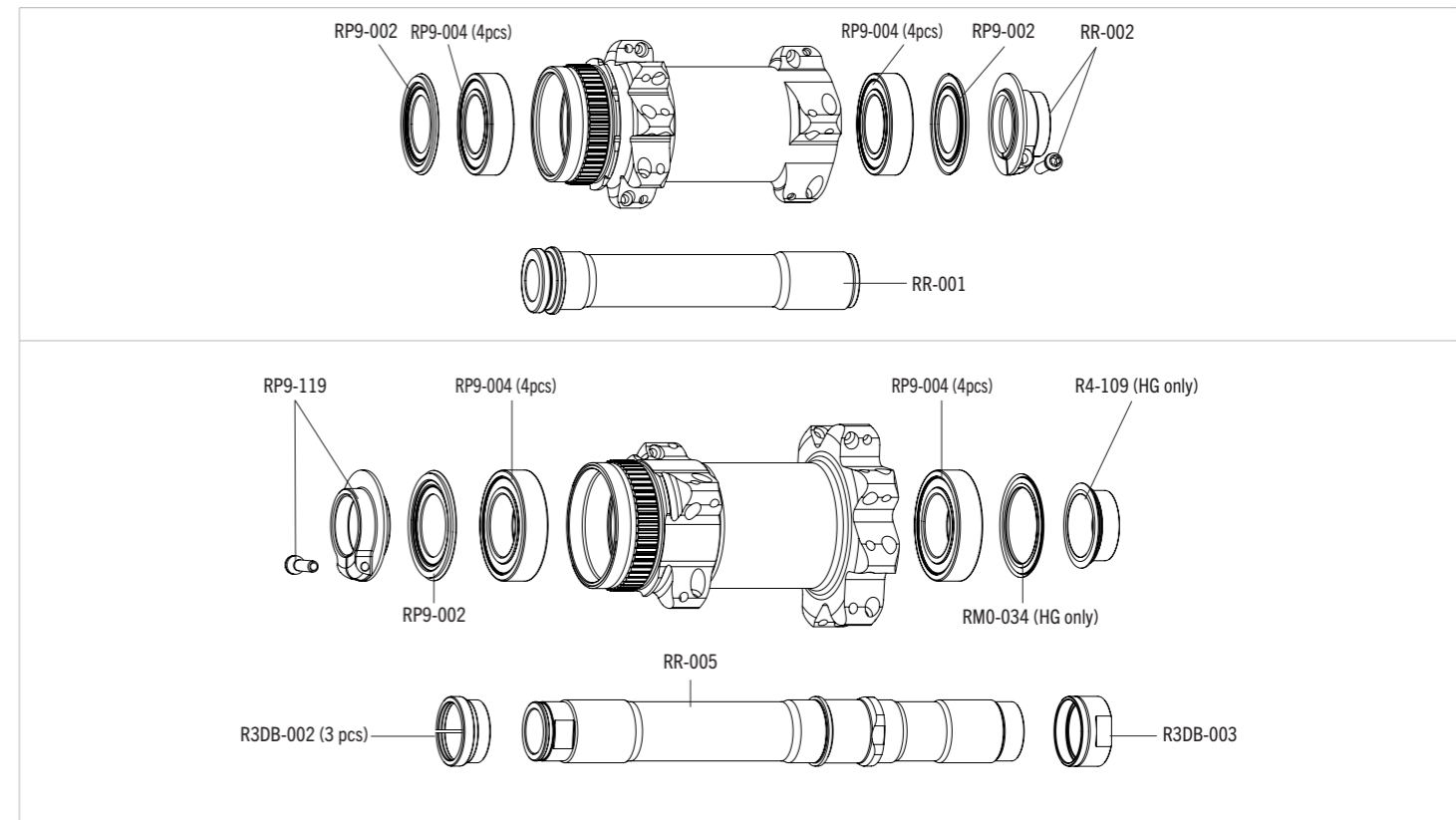
ACCESSORIES

Spacer for HG fw body	RS-004	5 pcs - to be used only with 9/10s sprockets (HG11 FW body package contains the spacer)
-----------------------	--------	--

RAPID RED 500 700c

AFS/HG11 - XDR
front: 12mm ta
rear: 12mm ta 142

HUBS/MOZZI



Complete FW body / Corpetti RL completi

R0-113 (HG 9/12) - R0-126 (XDR V2)

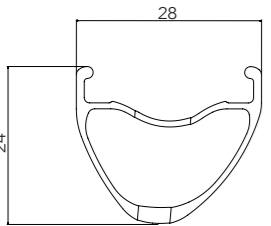
See exploded view pag. 132

RAPID RED 500 700c

AFS/N3W
front: 12mm ta
rear: 12mm ta 142

RIMS & SPOKES/CERCHI E RAGGI

RIM

	<p>LABEL KIT VALVE HOLE 2WF-READY TAPE DIAMETER</p>	<p>RR-LAB1929500 (front+rear Rapid Red 500 700C) 7,5 mm RR-007 (5 m) 29 2WF-Ready</p>
---	---	---

SPOKES

COMPLETE FRONT RH / REAR LH SPOKE 290,5	RR-018	4 spokes + 4 nipples
COMPLETE FRONT LH / REAR RH SPOKE 294,5	RR-019	4 spokes + 4 nipples
NIPPLES	R5-B01	50 pcs.

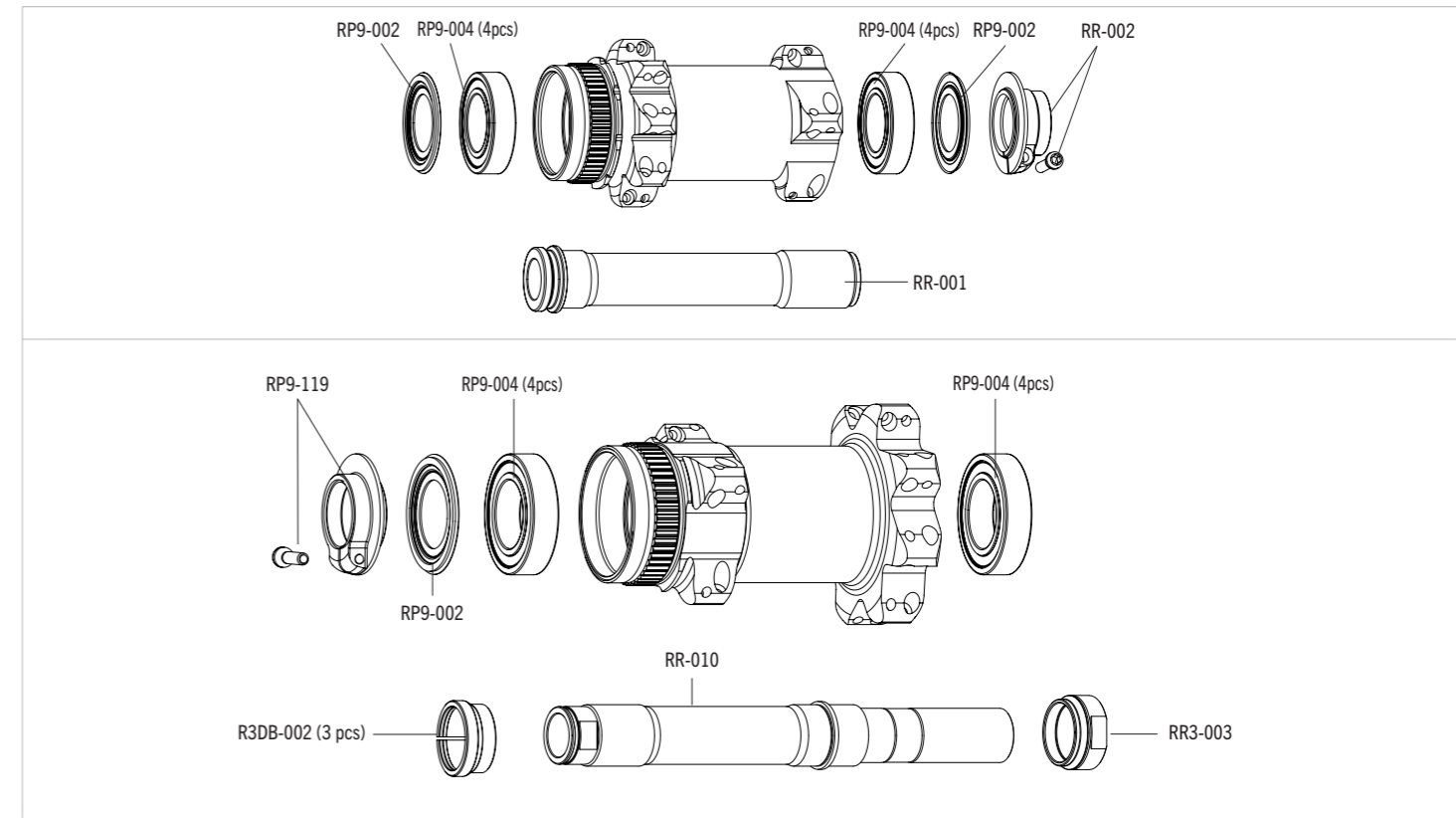
ACCESSORIES

Spacer for HG fw body	RS-004	5 pcs - to be used only with 9/10s sprockets (HG11 FW body package contains the spacer)
-----------------------	--------	--

RAPID RED 500 700c

AFS/N3W
front: 12mm ta
rear: 12mm ta 142

HUBS/MOZZI



FW body d.30 mm/Corpetto RL completo

R0-204 (Campy N3W for 13s)

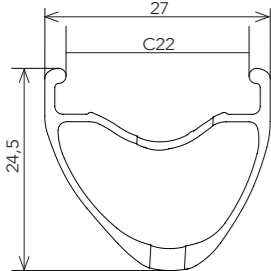
See exploded view pag. 132

RAPID RED 900 650B

AFS

RIMS & SPOKES/CERCHI E RAGGI

RIM

	<p>LABEL KIT VALVE HOLE 2WF-READY TAPE DIAMETER</p>	<p>RR-LAB2027900 (front+rear Rapid Red 900 650b DB) 7,5 mm RR-007 (L=5 m - W=28 mm) 27.5 2WF-Ready</p>
---	---	--

SPOKES

FRONT LH SPOKE L. 263	RR927-017	4 spokes + 4 nipples
FRONT RH SPOKE L. 256	RR927-016	4 spokes + 4 nipples
REAR RIGHT SPOKE L. 260,5	RR927-018	4 spokes + 4 nipples
REAR LEFT SPOKE L. 251	RR927-019	4 spokes + 4 nipples
NIPPLES	50-R8-016BR	50 pcs

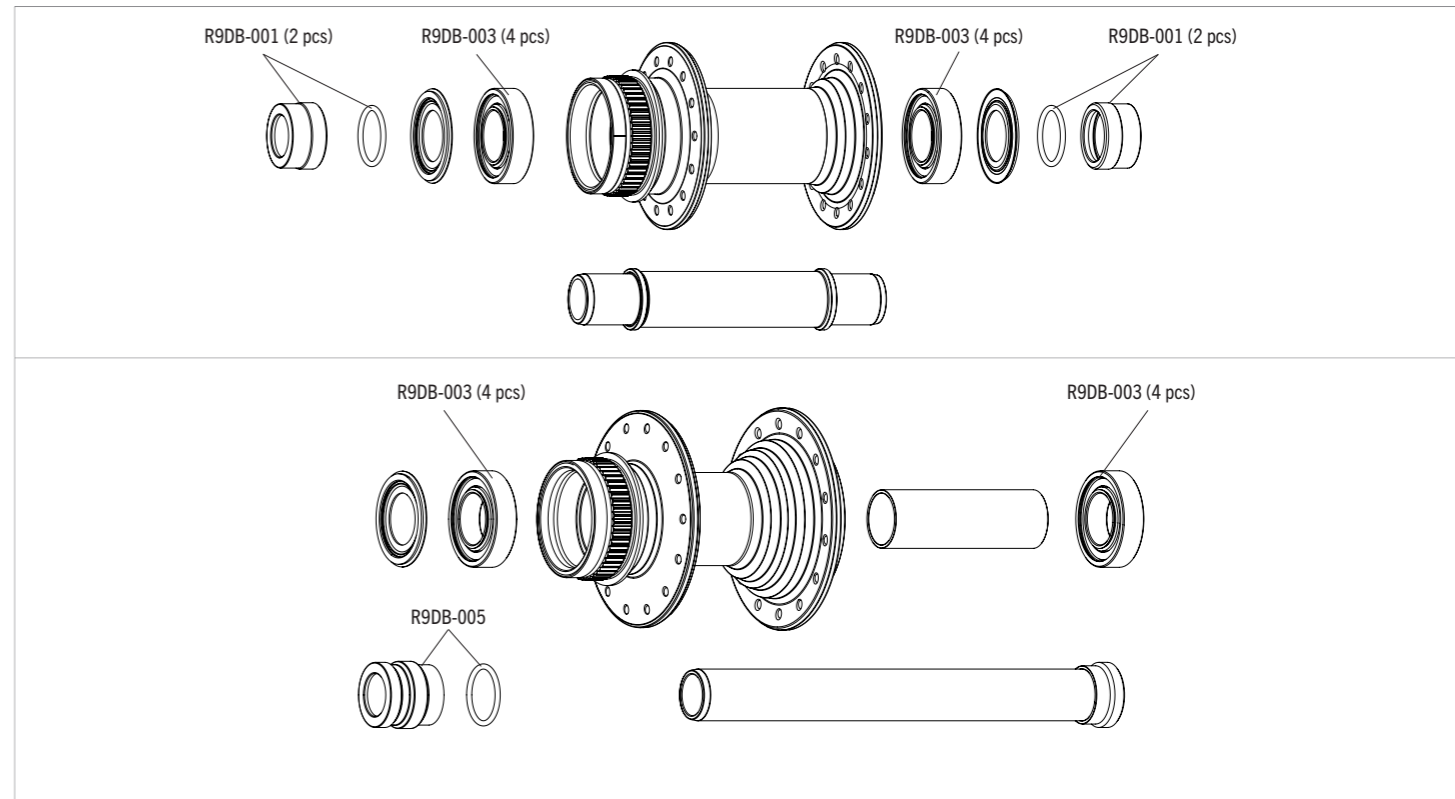
ACCESSORIES

Spacer for HG fw body	RS-004	5 pcs - to be used only with 9/10s sprockets (HG11 FW body package contains the spacer)
-----------------------	--------	--

RAPID RED 900 650B

AFS

HUBS/MOZZI



Complete FW body Ø 33 mm /
Corpetti RL completi Ø 33 mm

R0-201 (HG 9/12) - R0-203 (Campy N3W for 13s / buy from Campy adapter AC21-N3W for 11-12s) - R0-202 (XDR)

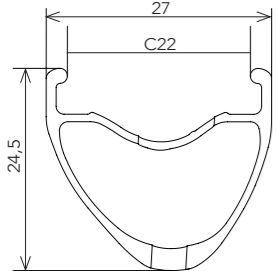
See exploded view pag. 132

RAPID RED 900 700c

AFS

RIMS & SPOKES/CERCHI E RAGGI

RIM

	<p>LABEL KIT VALVE HOLE 2WF-READY TAPE DIAMETER</p>	<p>RR-LAB2029900 (front+rear Rapid Red 900 700c) 7,5 mm RR-007 (L=5 m - W=28 mm) 29 2WF-Ready</p>
---	---	---

SPOKES

<p>FRONT RH SPOKE L. 275 FRONT LH SPOKE L. 282,5 REAR RIGHT SPOKE L. 279 REAR LEFT SPOKE L. 269,5 NIPPLES</p>	<p>RR929-017 RR929-016 RR929-018 RR929-019 50-R8-016BR</p>	<p>4 spokes + 4 nipples 4 spokes + 4 nipples 4 spokes + 4 nipples 4 spokes + 4 nipples 50 pcs</p>
---	--	---

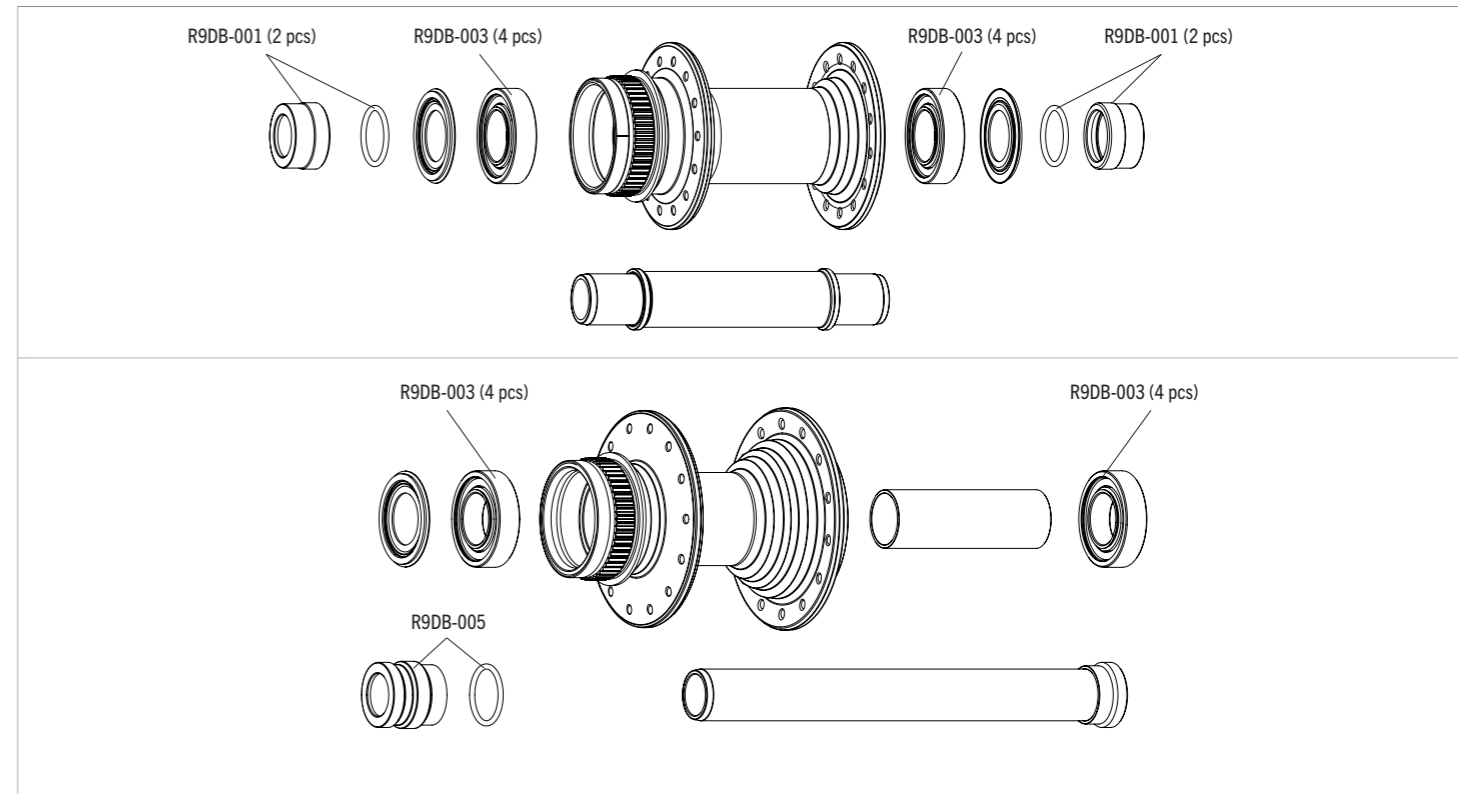
ACCESSORIES

<p>Spacer for HG fw body</p>	<p>RS-004</p>	<p>5 pcs - to be used only with 9/10s sprockets (HG11 FW body package contains the spacer)</p>
------------------------------	---------------	--

RAPID RED 900 700c

AFS

HUBS/MOZZI



Complete FW body Ø 33 mm /
Corpetti RL completi Ø 33 mm

R0-201 (HG 9/12) - R0-203 (Campy N3W for 13s / buy from Campy adapter AC21-N3W for 11-12s) - R0-202 (XDR)

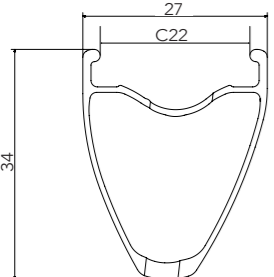
See exploded view pag. 132

E-RACING 4 / 400

AFS

RIMS & SPOKES/CERCHI E RAGGI

RIM

	VALVE HOLE DIAMETER	6,5 mm 622 X 22C
---	---------------------	---------------------

SPOKES

FRONT LEFT/REAR RIGHT SPOKE L. 287,5	RER4DB-016	4 spokes + 4 nipples
FRONT RIGHT SPOKE L. 282	RER4DB-017	4 spokes + 4 nipples
REAR LEFT SPOKE L. 284	RER4DB-019	4 spokes + 4 nipples
NIPPLES	50-EMF-015ALB	50 pcs

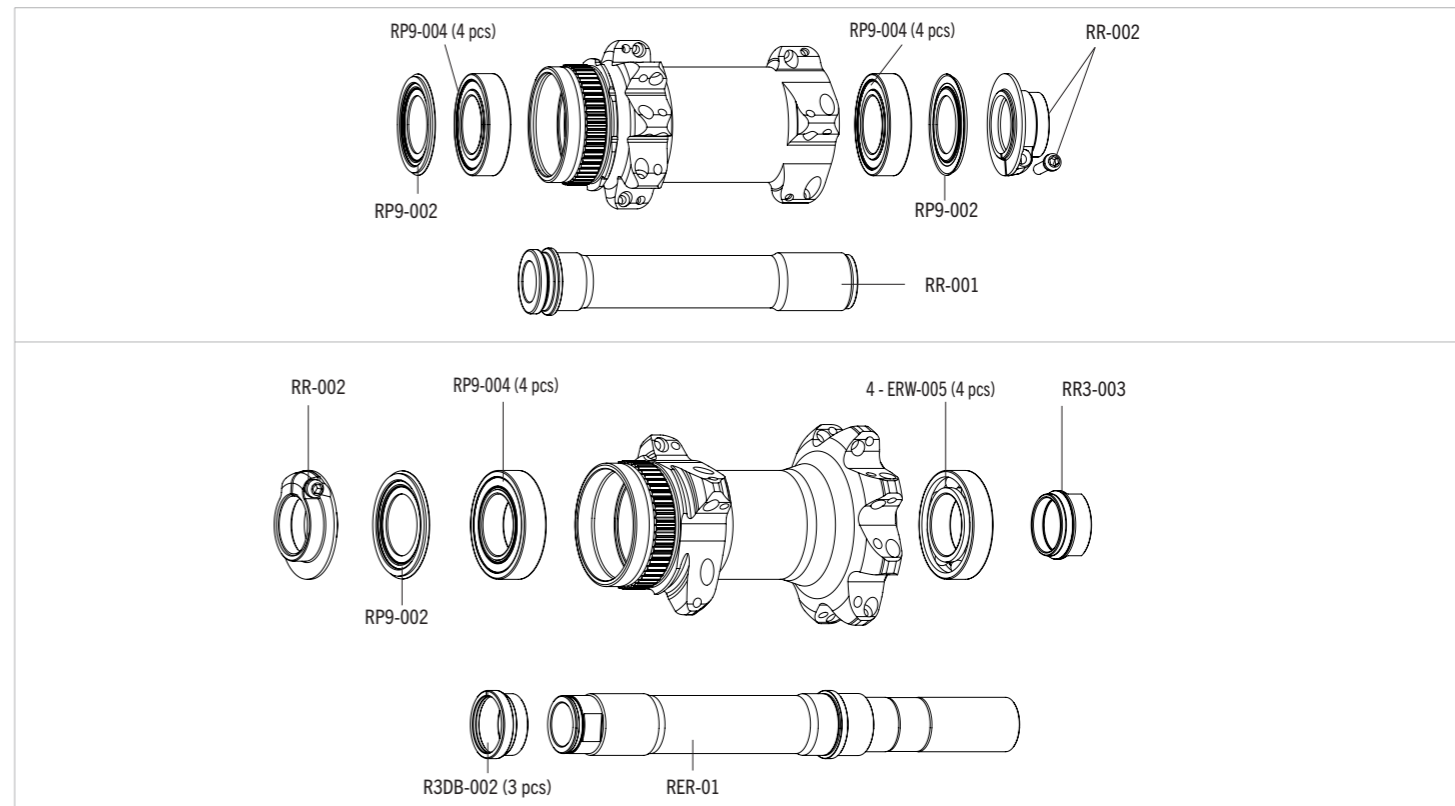
ACCESSORIES

Spacer for HG fw body	RS-004	5 pcs - to be used only with 9/10s sprockets (HG11 FW body package contains the spacer)
-----------------------	--------	--

E-RACING 4 / 400

AFS

HUBS/MOZZI



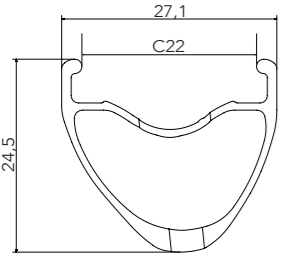
Complete FW body Ø 33 mm / Corpetti RL completi Ø 33 mm R0-201S (HG 9/12) - R0-203 (Campy N3W for 13s / buy from Campy adapter AC21-N3W for 11-12s) - R0-202S (XDR) See exploded view pag. 132

E-RACING 900

AFS

RIMS & SPOKES/CERCHI E RAGGI

RIM

	VALVE HOLE DIAMETER	6,5 mm 622 X 22C
---	---------------------	---------------------

SPOKES

FRONT LH SPOKE L. 282.5	RER900-016	4 spokes + 4 nipples
FRONT RH SPOKE L. 281	RER900-017	4 spokes + 4 nipples
REAR RIGHT SPOKE L. 279	RER900-018	4 spokes + 4 nipples
REAR LEFT SPOKE L. 278.5	RER900-019	4 spokes + 4 nipples
NIPPLES	50-R9-016BR	50 pcs

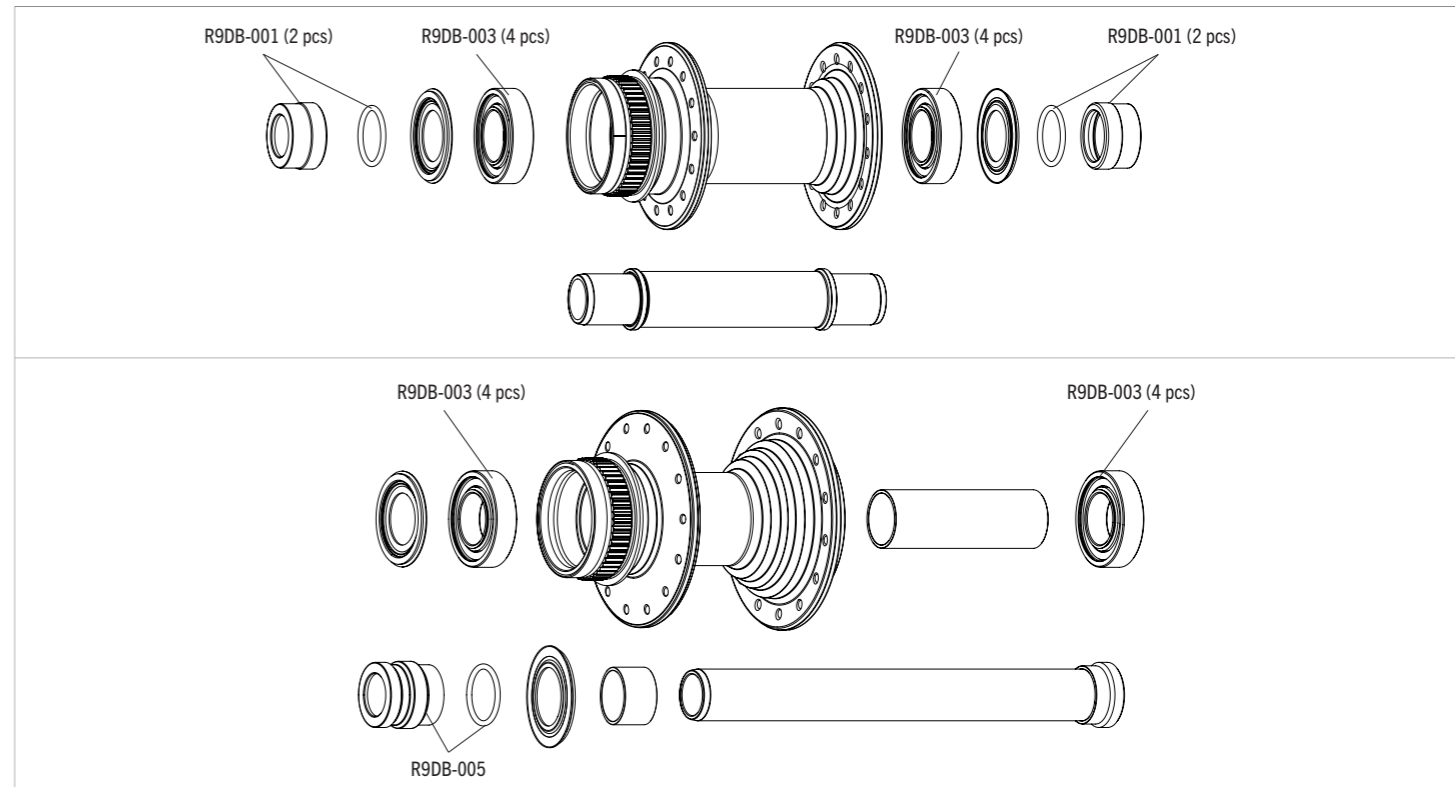
ACCESSORIES

Spacer for HG fw body	RS-004	5 pcs - to be used only with 9/10s sprockets (HG11 FW body package contains the spacer)
-----------------------	--------	--

E-RACING 900

AFS

HUBS/MOZZI



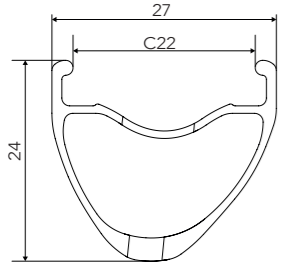
Complete FW body Ø 33 mm / Corpetti RL completi Ø 33 mm R0-201S (HG 9/12) - R0-203 (Campy N3W for 13s / buy from Campy adapter AC21-N3W for 11-12s) - R0-202S (XDR) See exploded view pag. 132

E-RACING 900 EBM X35+

AFS

RIMS & SPOKES/CERCHI E RAGGI

RIM

	VALVE HOLE DIAMETER	6,5 mm 622 X 22C
---	------------------------	---------------------

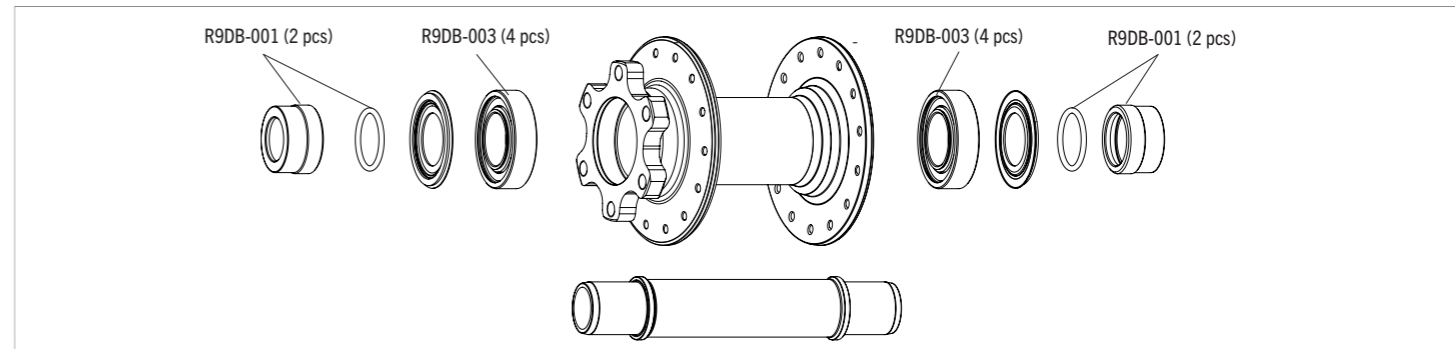
SPOKES

FRONT LH SPOKE L. 278.5	RER900-019	4 spokes + 4 nipples
FRONT RH SPOKE L. 280	RER900EBM-017	4 spokes + 4 nipples
REAR RIGHT SPOKE L. 259.5	RER900EBM-019	4 spokes + 4 nipples
REAR LEFT SPOKE L. 260.5	RER900EBM-020	4 spokes + 4 nipples
FRONT NIPPLES	50-R9-016BR	50 pcs
REAR NIPPLES	50-R9EBM-BBDS	50 pcs

E-RACING 900 EBM X35+

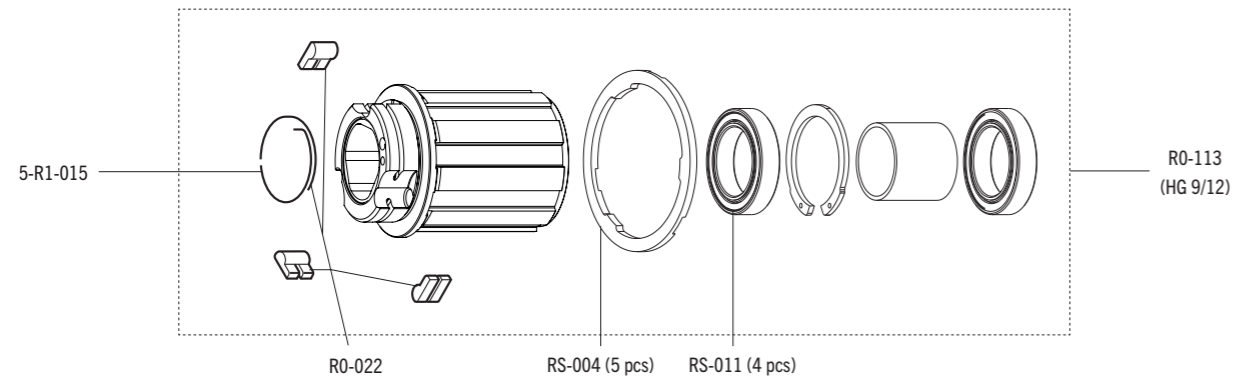
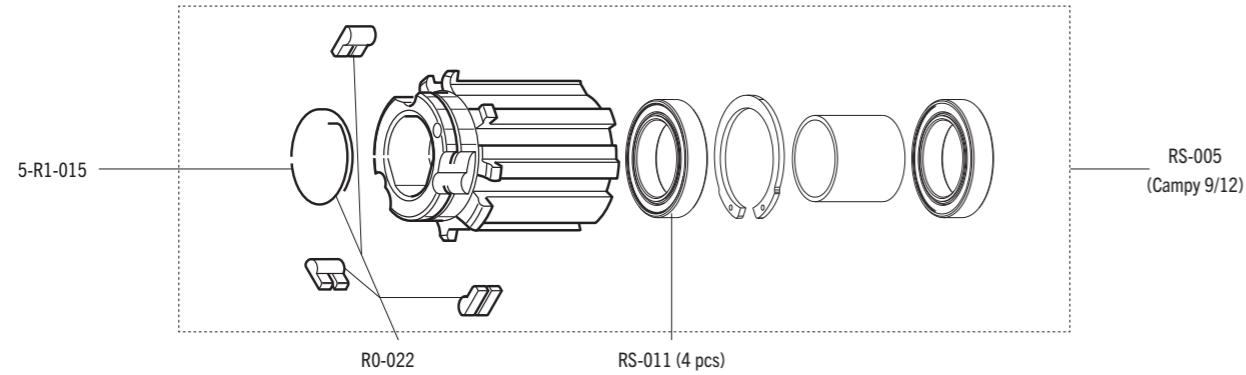
AFS

HUBS/MOZZI

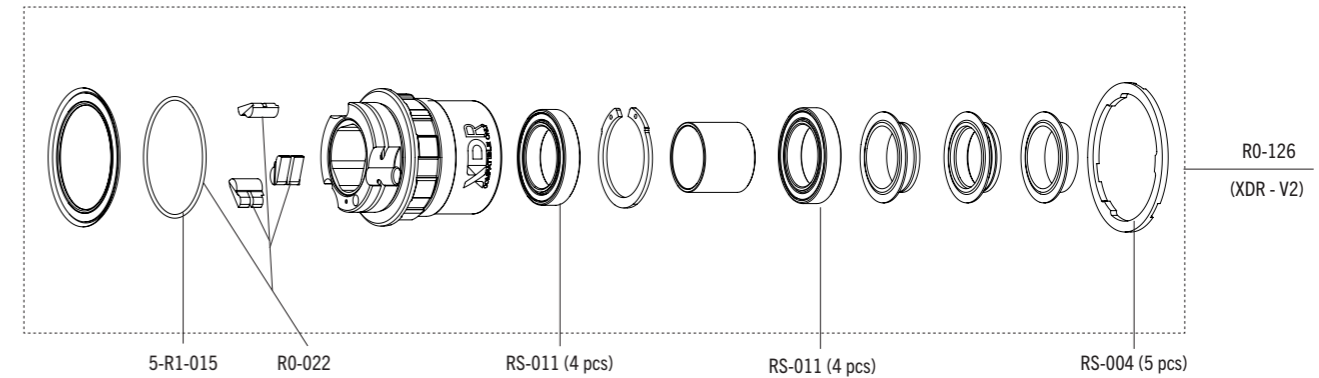
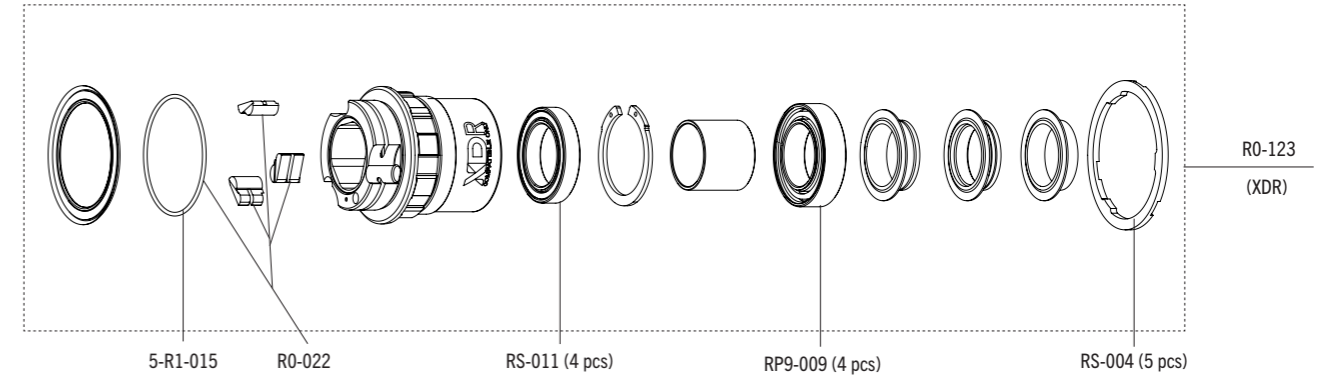


Please contact the manufacturer of the bicycle / Fate riferimento al costruttore della bicicletta

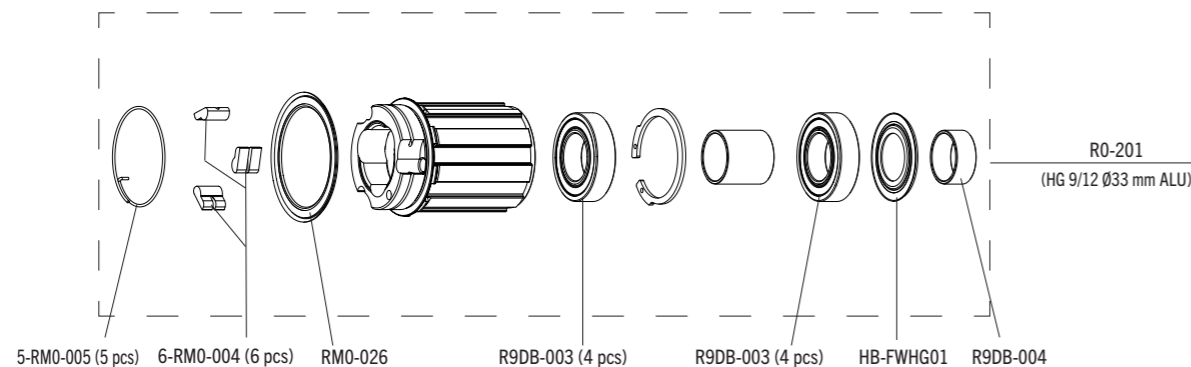
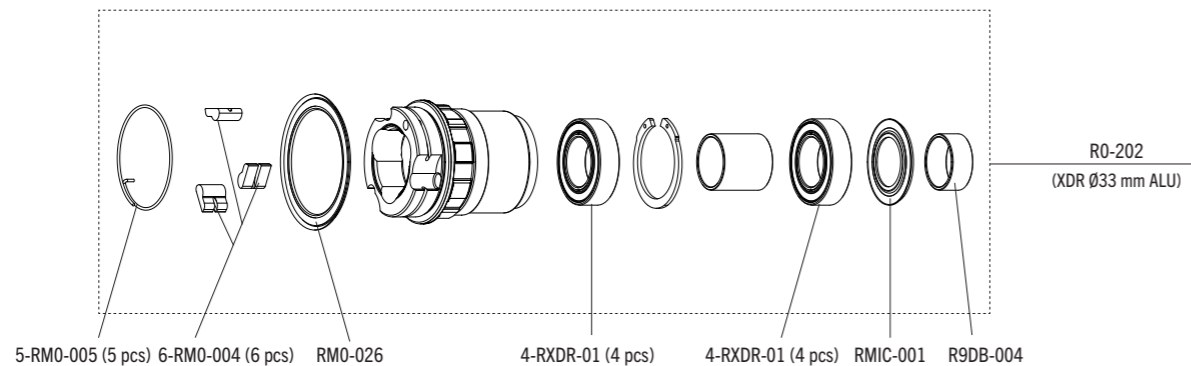
FW BODIES ROAD / GRAVEL WHEELS



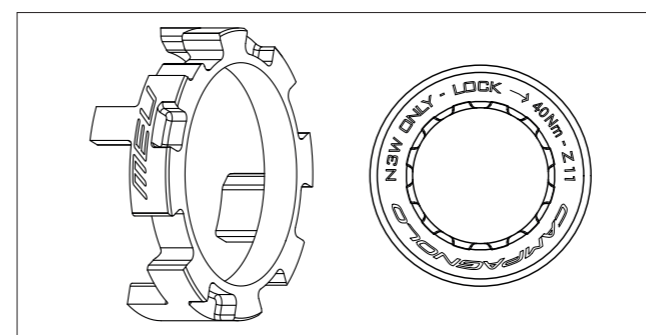
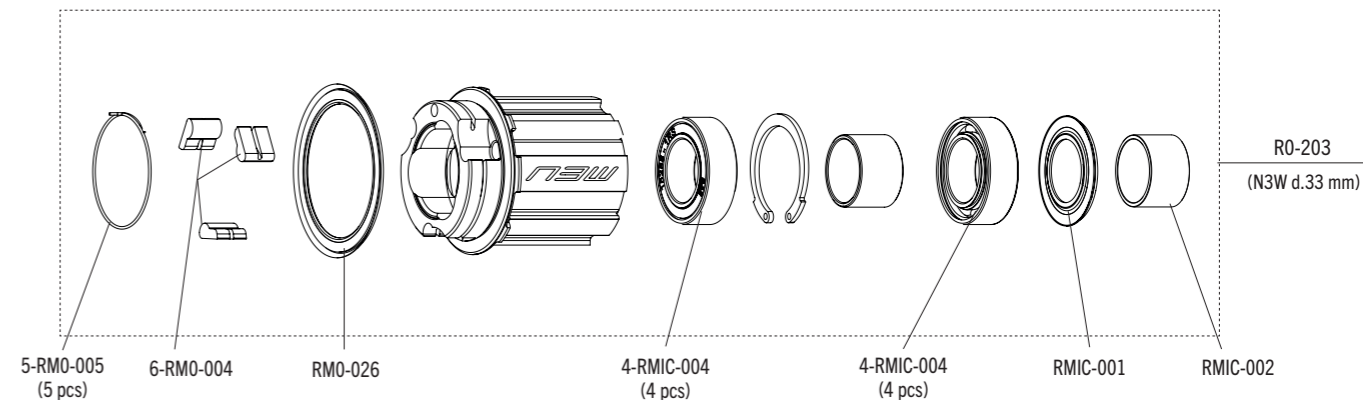
FW BODIES ROAD / GRAVEL WHEELS



FW BODIES ROAD / GRAVEL WHEELS

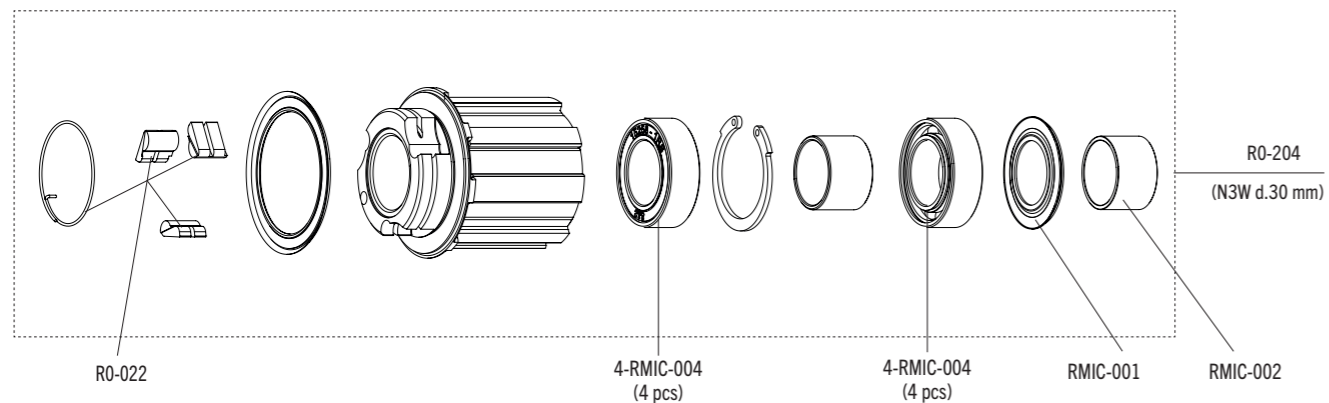


FW BODIES ROAD / GRAVEL WHEELS



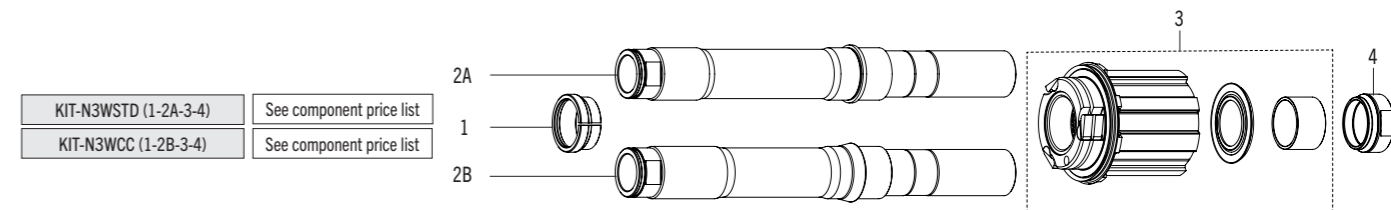
To the N3W f.w. body, to be compatible with 11-12s, you need:
N3W adapter + lockring (CS-702): AC21-N3W (buy it from Campagnolo srl): Corpetto r.l. N3W, per essere compatibile 11-12s, serve: adattatore N3W + ghiera (CS-702): AC21-N3W (acquistabile da Campagnolo srl)

FW BODIES ROAD / GRAVEL WHEELS



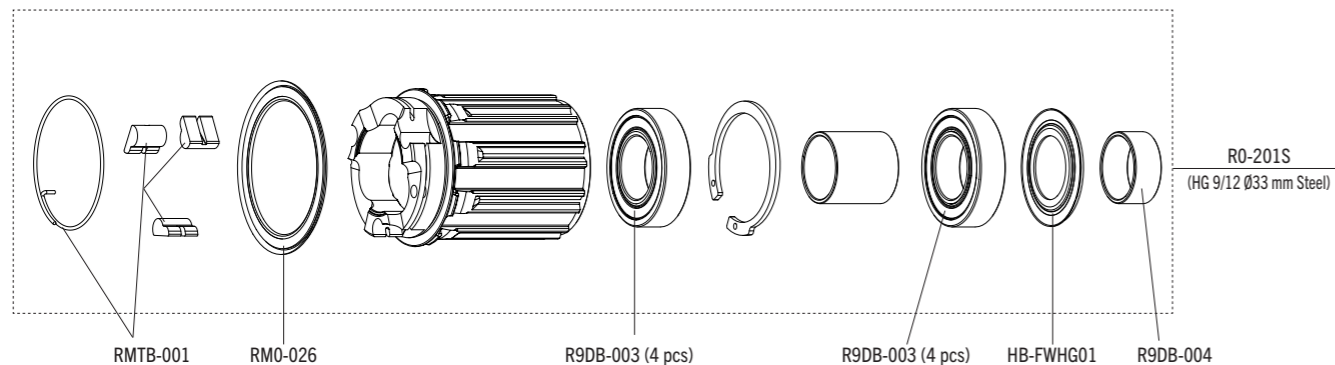
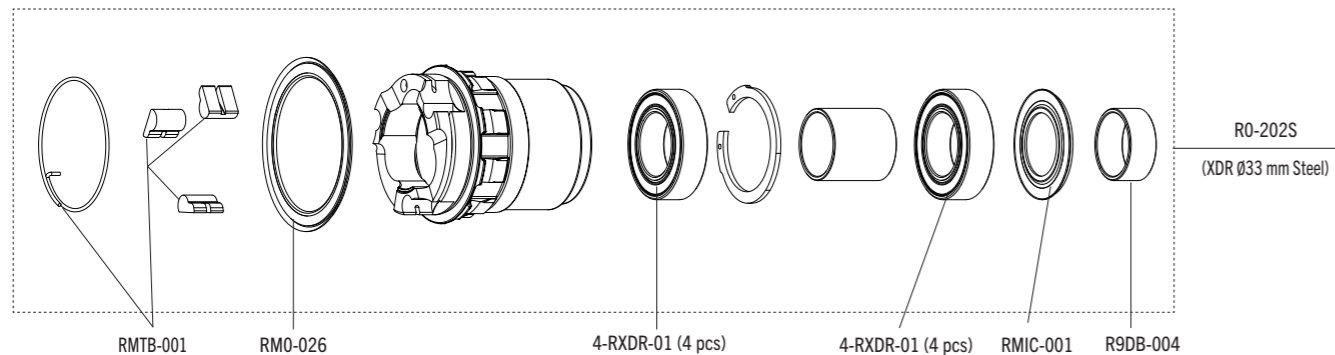
N3W KIT RETROFIT

	RUOTE CONTINUATIVE DB HH12 GAMMA 2020		ONGOING DB HH12 WHEELS FROM 2020 RANGE
RUOTE	Racing 7/700 DB (cuscinetti industriali)	WHEEL MODELS	Racing 7/700 DB (industrial bearings)
	Racing 6/600 DB (cuscinetti industriali)		Racing 6/600 DB (industrial bearings)
	Racing 5/500 DB (cuscinetti industriali)		Racing 5/500 DB (industrial bearings)
	Racing 4/400 DB (cuscinetti industriali)		Racing 4/400 DB (industrial bearings)
	Rapid Red 5/500 DB (cuscinetti industriali)		Rapid Red 5/500 DB (industrial bearings)
	Wind 40 /55 DB (cuscinetti industriali)		Wind 40 /55 DB (industrial bearings)
	Racing 3 DB (coni-calotta)		Racing 3 DB (cup-and-cone)
	Famiglia Racing Zero DB (coni-calotta)		Racing Zero DB family (cup-and-cone)
	Famiglia Speed DB (coni-calotta)		Speed DB family (cup-and-cone)
	Racing 900 DB (2020 NON compatibile) - prodotto solo OEM		Racing 900 DB (2020 NOT compatible) - OEM only
CREMAGLIERA	d. 30 mm	RACK	d. 30 mm
PER RENDERE COMPATIBILE LA RUOTA CON IL GRUPPO 13s	Serve kit di trasformazione (corpetto N3W codice R0-204 incluso):	TO MAKE THE WHEEL COMPATIBLE WITH 13s GROUPSET	Transformation kit required (N3W body code R0-204 included):
	• Per cuscinetti industriali: KIT-N3WSTD (Vedi listino componenti)		• For industrial bearings: KIT-N3WSTD (See component price list)
	• Per coni-calotta: KIT-N3WCC (Vedi listino componenti)		• For cup-and-cone: KIT-N3WCC (See component price list)



KIT-N3WSTD (1-2A-3-4)	See component price list
KIT-N3WCC (1-2B-3-4)	See component price list

FW BODIES E-ROAD/E-GRAVEL WHEELS



QUICK RELEASES

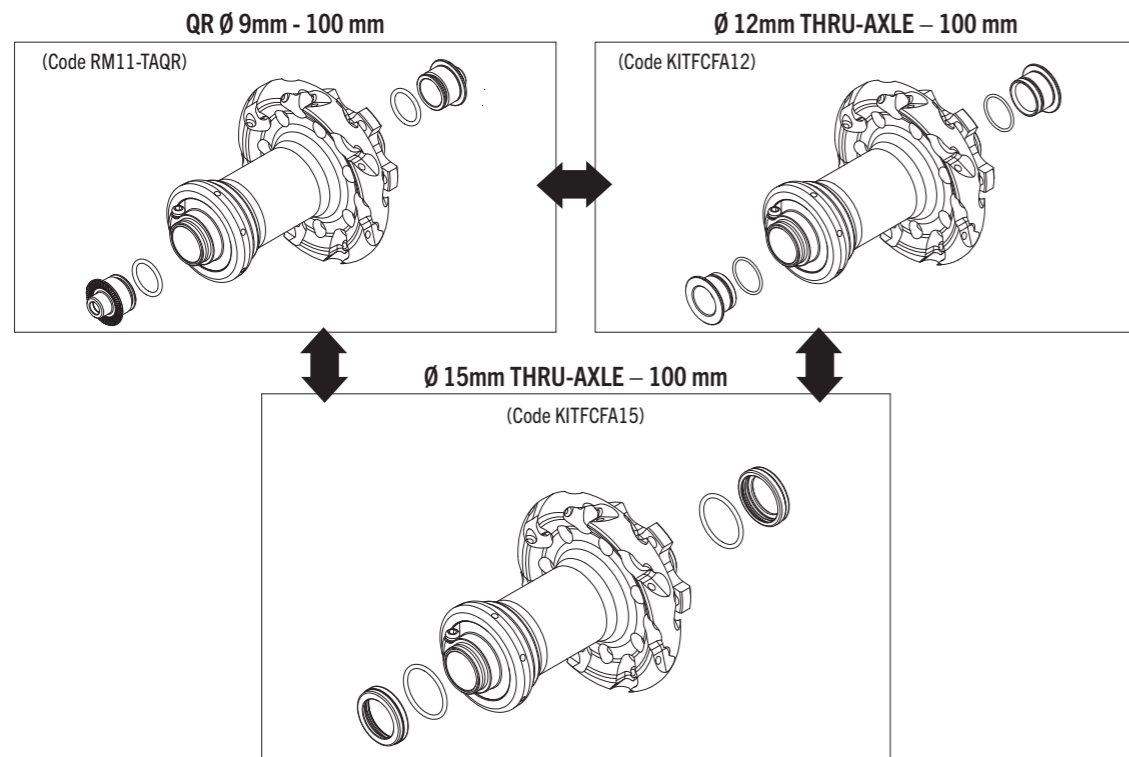


R5-QFR02	R3-QFR12	RWX-QFR12	RM0-QFR
RACING 5 LG RACING 7 LG RACING SPORT	SPEED 55C SPEED 40C RACING ZERO COMPETIZIONE RACING ZERO NITE RACING ZERO RACING 3 RACING QUATTRO CARBON RACING QUATTRO LG	SPEED 55T SPEED 40T RACING ZERO CARBON RED WIND XLR SPEED 360T	RED PASSION

R5-QF16K + R5-QR16K (incl. KIT HH=>QR)	R4-QF16K + R4-QR16K (incl. KIT HH=>QR)
RACING 5 DB / RACING 500 DB RACING 6 DB / RACING 600 DB RACING 7 DB / RACING 700 DB RED ZONE 5 / RED ZONE 500 RED ZONE 7 / RED ZONE 700 RED FIRE 5 / RED FIRE 500	RACING QUATTRO CARBON DB

RM5-QFR
RED PASSION 3

ADAPTERS FOR ROAD DB FRONT AXLES



ADAPTERS FOR ROAD DB REAR AXLES

