



Spare parts

Road / Gravel
2024

FULCRUM

2024 SPARE PARTS & TOOLS

ROAD - RIM BRAKE

WIND 40 / 400	6
RACING ZERO CARBON	8
RACING ZERO	10
RACING 3	12
RACING 4 / 400	14
RACING 5 / 500	16
RACING 6 / 600	18
RACING 900	20
SPEED 360T	22
VALVE EXTENSIONS	23

ROAD - DISC BRAKE

SPEED 57 DB	24
SPEED 42 DB	26
SPEED 25 DB	28
SPEED 55 CMPTZN DB	30
SPEED 40 CMPTZN DB	32
WIND 75 DB	34
WIND 57 DB	36
WIND 42 DB	38

2024 SPARE PARTS & TOOLS

ROAD - DISC BRAKE

RACING ZERO CARBON CMPTZN DB	40
RACING ZERO CARBON DB	42
RACING ZERO CMPTZN DB	44
RACING ZERO DB	46
RACING 3 DB	48
AIRBEAT 550 DB	50
AIRBEAT 400 DB	52
RACING 4 / 400 DB	54
RACING 5 / 500 DB	56
RACING 6 / 600 DB	58
RACING 800 DB	60
RACING 900B DB	62
RACING 900 DB	64
SPEED 360 DB	66

GRAVEL

RAPID RED CARBON	68
RAPID RED 3/300 650b	70
RAPID RED 3/300 700c	72

2024 SPARE PARTS & TOOLS

GRAVEL

RAPID RED 5 650b (HG11- XDR)	74
RAPID RED 5 650b (N3W)	76
RAPID RED 500 650b (HG11- XDR)	78
RAPID RED 500 650b (N3W)	80
RAPID RED 5 700c (HG11- XDR)	82
RAPID RED 5 700c (N3W)	84
RAPID RED 500 700c (Ø30 mm HG11- XDR)	86
RAPID RED 500 700c (Ø30 mm N3W)	88
RAPID RED 500 700c (Ø33 mm FW body)	90
RAPID RED 900 650b	92
RAPID RED 900 700c	94

E-ROAD - DISC BRAKE

E-RACING 4 / 400	96
E-RACING 900	98
E-RACING 400 EBM X20	100

FW BODIES - ROAD / GRAVEL

102

2024 SPARE PARTS & TOOLS

N3W KIT RETROFIT 108

FW BODIES - E-ROAD / E-GRAVEL 109

QUICK-RELEASES 110

MTB

RED ZONE CARBON+ 112

RED ZONE CARBON 114

RED ZONE 3 / 300 116

RED ZONE 5 / 500 118

RED METAL 5 / 500 120

FW BODIES 122

2024 SPARE PARTS & TOOLS

2WF-READY CONVERSION KIT 125

E-MTB

E-METAL 3 / 300 126

E-METAL 5 / 500 134

E-METAL 700 142

E-FIRE 3 / 300 150

E-FIRE 5 / 500 154

E-FIRE 700 158

TOOLS & ACCESSORIES 162

WIND 40 / 400 CLINCHER

RIMS & SPOKES/CERCHI E RAGGI

RIM

	LABEL KIT	W40-LAB20 (front+rear Wind 40) - W400-LAB20 (front+rear Wind 400)
	VALVE HOLE	6,5 mm
	VALVE HOLE BUSHING	RWX-014 (for valve seat reduction - 5 pcs)
	DIAMETER	622 x 17C
	BRAKE SHOES	see "brake pads compatibility table" on www.fulcrumwheels.com

SPOKES

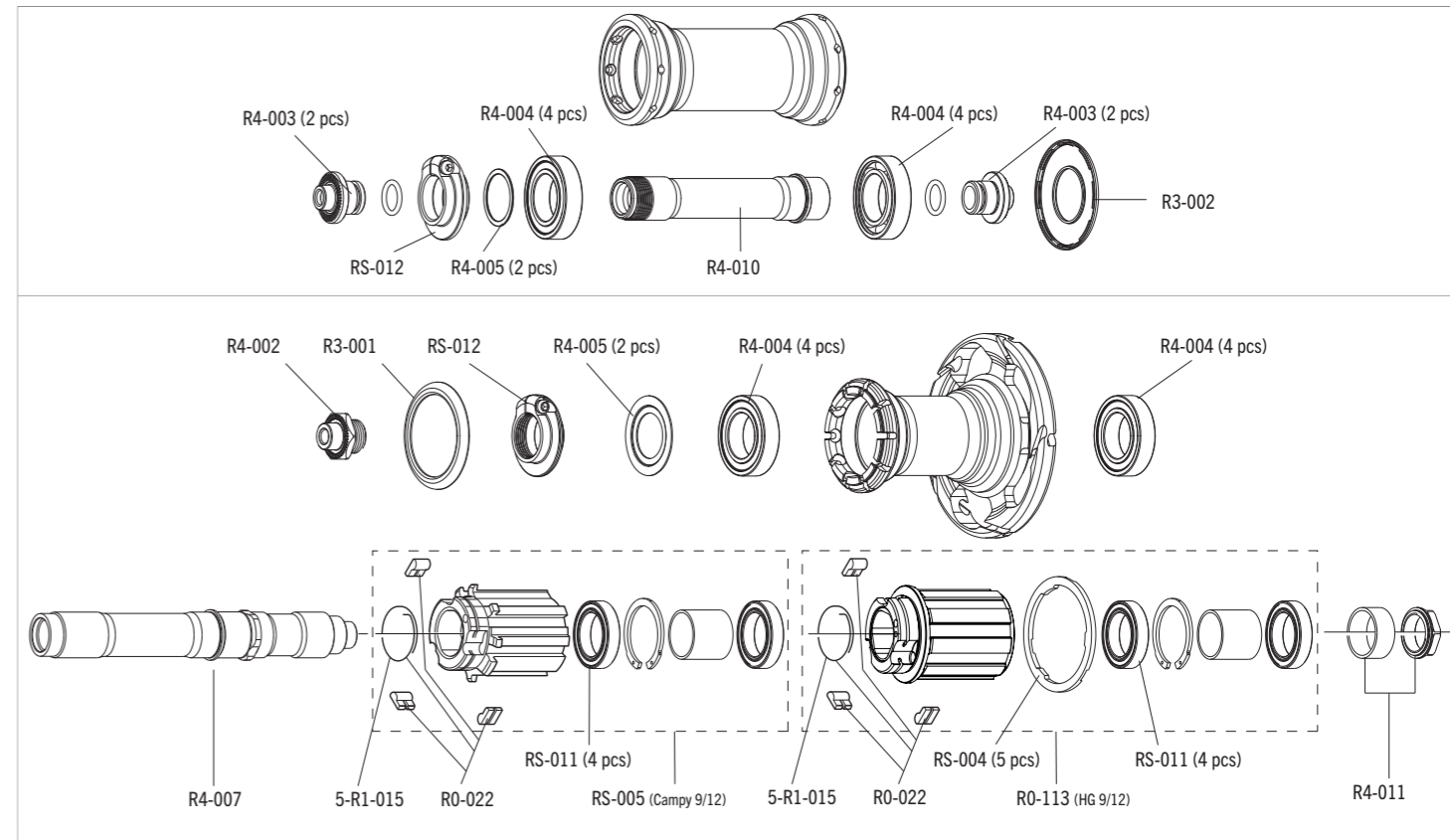
FRONT SPOKE	R4-016C	4 spokes + 4 nipples
REAR RIGHT SPOKE	R4-018C	4 spokes + 4 nipples
REAR LEFT SPOKE	R4-019C	4 spokes + 4 nipples
NIPPLES	RWX-B	50 pcs.

ACCESSORIES

Spacer for HG fw body	RS-004	5 pcs - to be used only with 9/10s sprockets
-----------------------	--------	--

WIND 40 / 400 CLINCHER

HUBS/MOZZI

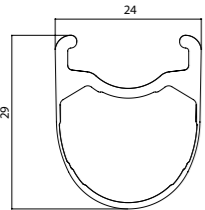


RACING ZERO™ CARBON CLINCHER

DARK / BRIGHT

RIMS & SPOKES/CERCHI E RAGGI

RIM

	FRONT RIM	R0F-CRC31DK (DARK - with labels) - R0F-CRC31 (BRIGHT - with labels)
	REAR RIM	R0R-CRC31DK (DARK - with labels) - R0R-CRC31 (BRIGHT - with labels)
	VALVE HOLE	6,5 mm
	VALVE HOLE BUSHING	R0-114 (for valve seat reduction - 5 pcs)
	DIAMETER	622 X 17C
	BRAKE PADS	for carbon rims - BR-B0500 (for brakes with retention spring or interference fixing) - BR-B0500X1 (for brakes with screw fixing)

SPOKES

COMPLETE FRONT KIT	R0F-SKB02	16 front spokes
COMPLETE REAR KIT	R0R-SKB02	14 rear right spokes + 7 rear left spokes
COMPLETE FRONT SPOKE	R0-016S (BRIGHT) - R0-016B (DARK)	spoke + nipple
COMPLETE REAR RIGHT SPOKE	R0-019C (BRIGHT) - R0-018B (DARK)	spoke + nipple
COMPLETE REAR LEFT SPOKE	R0-019S (BRIGHT) - R0-019B (DARK)	spoke + nipple
NIPPLES	R0-115S (BRIGHT) / R0-115B (DARK)	10 pcs
TOOL	T-02	spoke anti-rotation
TOOL	T-29	magnet-attractor insert for nipple
TOOL	T-05	nipple-guide magnet
TOOL	T-07	spoke spanner

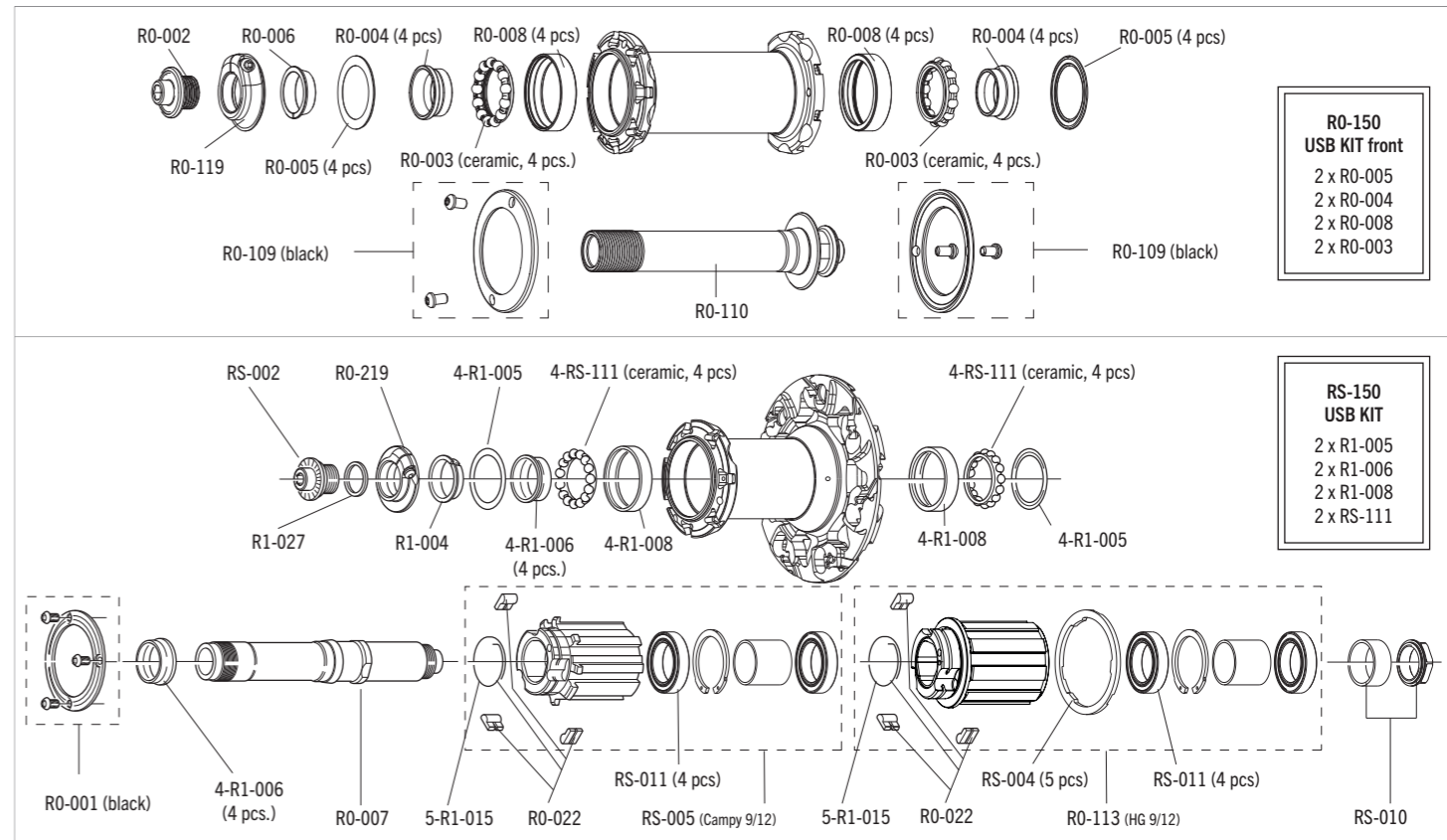
ACCESSORIES

Spacer for HG fw body	RS-004	5 pcs - to be used only with 9/10s sprockets
-----------------------	--------	--

RACING ZERO™ CARBON CLINCHER

DARK / BRIGHT

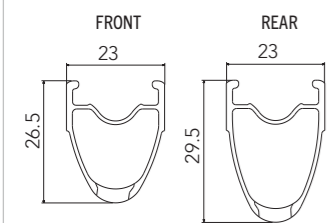
HUBS/MOZZI



RACING ZERO™ 2WF

RIMS & SPOKES/CERCHI E RAGGI

RIM



FRONT RIM
REAR RIM
LABEL KIT
VALVE HOLE
2-Way Fit VALVE™
VALVE HOLE BUSHING
DIAMETER
BRAKE PADS

R0F-2RB21 (no labels)
R0R-2RB21 (no labels)
R0-LAB22 (front+rear)
6,5 mm
M1-035
5-R0-014 (for valve seat reduction - 5 pcs)
622 x 17C
see "brake pads compatibility table" on www.fulcrumwheels.com

SPOKES

COMPLETE FRONT KIT
COMPLETE REAR KIT
COMPLETE FRONT
COMPLETE REAR RIGHT SPOKE
COMPLETE REAR LEFT SPOKE
NIPPLES
TOOL
TOOL
TOOL
TOOL

R0F-SKB21
R0R-SKB21
R0-117B
R0-118B
R0-119B
R0-115
T-02
T-29
T-05
T-07

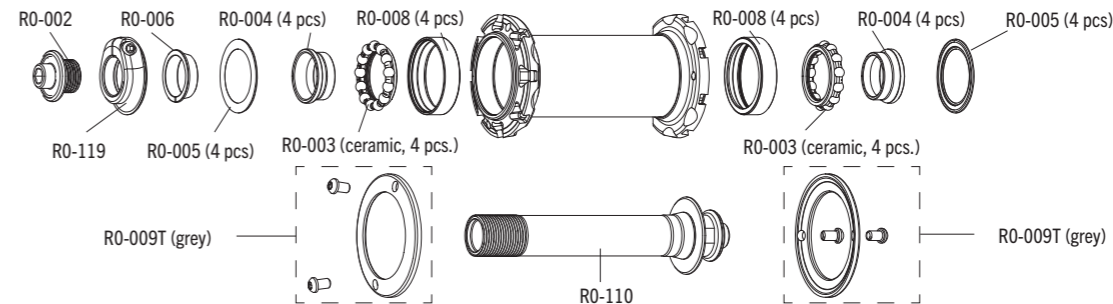
16 front spokes
14 rear right spokes + 7 rear left spokes
spoke + nipple
spoke + nipple
spoke + nipple
10 pcs
spoke anti-rotation
magnet-attractor insert for nipple
nipple-guide magnet
spoke spanner

ACCESSORIES

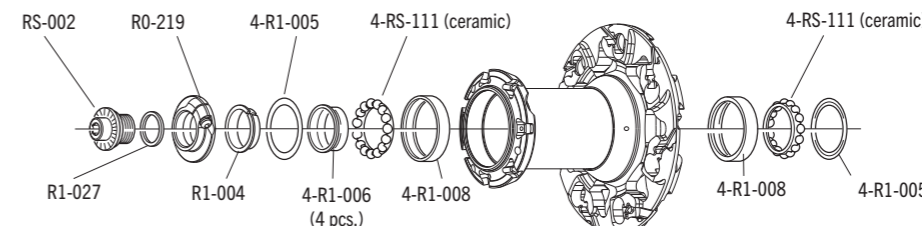
Spacer for HG fw body R0S-004 5 pcs - to be used only with 9/10s sprockets

RACING ZERO™ 2WF

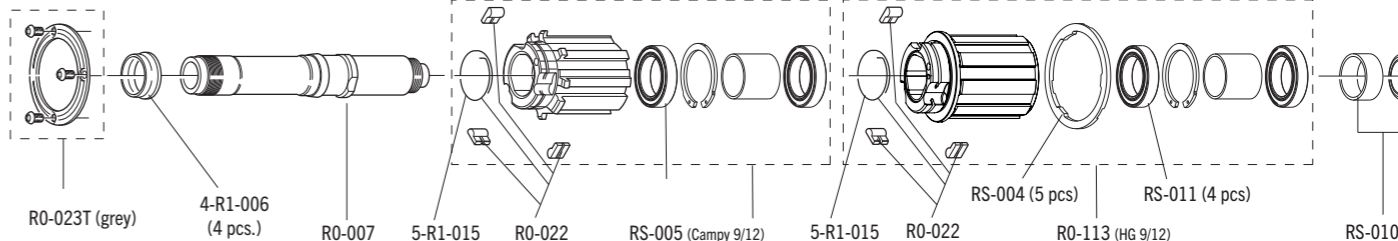
HUBS/MOZZI



**R0-150
USB KIT front**
2 x R0-005
2 x R0-004
2 x R0-008
2 x R0-003



**RS-150
USB KIT**
2 x R1-005
2 x R1-006
2 x R1-008
2 x RS-111



RACING 3™ CLINCHER

RIMS & SPOKES/CERCHI E RAGGI

RIM

	<p>FRONT RIM REAR RIM LABEL KIT VALVE HOLE DIAMETER BRAKE PADS</p>	<p>R3F-CRB31 (with labels) R3R-CRB31 (with labels) R3-LAB18CB (front+rear) 6,5 mm 622 X 17C see "brake pads compatibility table" on www.fulcrumwheels.com</p>
--	--	--

SPOKES

COMPLETE FRONT SPOKE	R3-116	4 spokes + 4 nipples
COMPLETE REAR RIGHT SPOKE	R3-118	4 spokes + 4 nipples
COMPLETE REAR LEFT SPOKE	R3-119	4 spokes + 4 nipples
NIPPLES	R3-015	50 pcs
TOOL	T-28	magnet-attractor insert for nipple
TOOL	T-05	nipple-guide magnet
TOOL	T-02	spoke anti-rotation

ACCESSORIES

Spacer for HG fw body	RS-004	5 pcs - to be used only with 9/10s sprockets
-----------------------	--------	--

RACING 3™ CLINCHER

HUBS/MOZZI

R3-100 HUB KIT
 2 x R0-005
 2 x R0-004
 2 x R0-008
 2 x R3-010

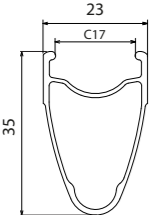
RS-100 HUB KIT
 2 x R1-005
 2 x R1-006
 2 x R1-008
 2 x R1-007

Labels in diagrams include: R0-002, RS-112, R0-005, R3-010 (4 pcs. - steel), R0-008 (4 pcs.), R0-006, R0-004 (4 pcs.), R0-008 (4 pcs.), R3-010 (4 pcs. - steel), R0-004 (4 pcs.), R0-005, RS-017, RS-002, R3-012, 4-R1-005, 4-R1-007 (steel), R1-027, R1-004, 4-R1-006 (4 pcs.), 4-R1-008, 4-R1-008, 4-R1-005, 4-R1-006 (4 pcs.), RS-007, 5-R1-015, R0-022, RS-005 (Campy 9/12), 5-R1-015, R0-022, S9-013 (HG 9/12), RS-011 (4 pcs.), RS-004 (5 pcs.), RS-011 (4 pcs.), RS-010.

RACING 4™ / 400 CLINCHER

RIMS & SPOKES/CERCHI E RAGGI

RIM

	RIM-TAPE LABEL KIT VALVE HOLE DIAMETER BRAKE PADS	R5-RT01 (20.5 mm - 2 pcs) R4-LAB19 (front+rear) - R400-LAB19 (front+rear) 6,5 mm 622 X 17C see "brake pads compatibility table" on www.fulcrumwheels.com
---	---	---

SPOKES

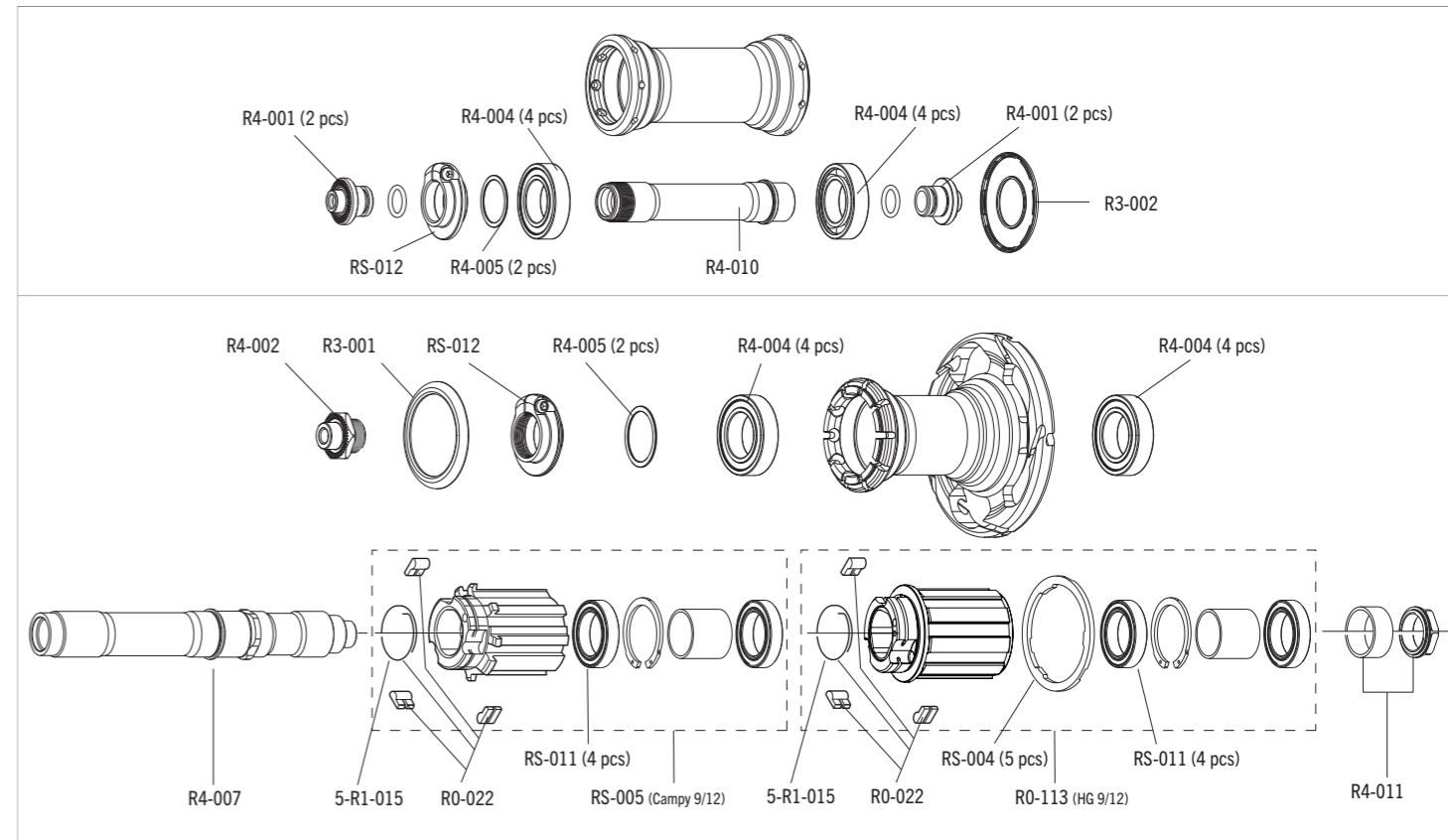
FRONT SPOKE	R4-116	4 spokes + 4 nipples
REAR RIGHT SPOKE	R4-118	4 spokes + 4 nipples
REAR LEFT SPOKE	R4-119	4 spokes + 4 nipples
NIPPLES	R5-B01	50 pcs.

ACCESSORIES

Spacer for HG fw body	RS-004	5 pcs - to be used only with 9/10s sprockets
-----------------------	--------	--

RACING 4™ / 400 CLINCHER

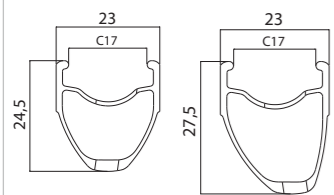
HUBS/MOZZI



RACING 5™ / 500 CLINCHER

RIMS & SPOKES/CERCHI E RAGGI

RIM



RIM-TAPE
LABEL KIT
VALVE HOLE
DIAMETER
BRAKE PADS

R5-RT01 (20,5 mm - 2 pcs)
R5-LAB19 (front+rear) - R500-LAB19 (front+rear)
6,5 mm
622 X 17C
see "brake pads compatibility table" on www.fulcrumwheels.com

SPOKES

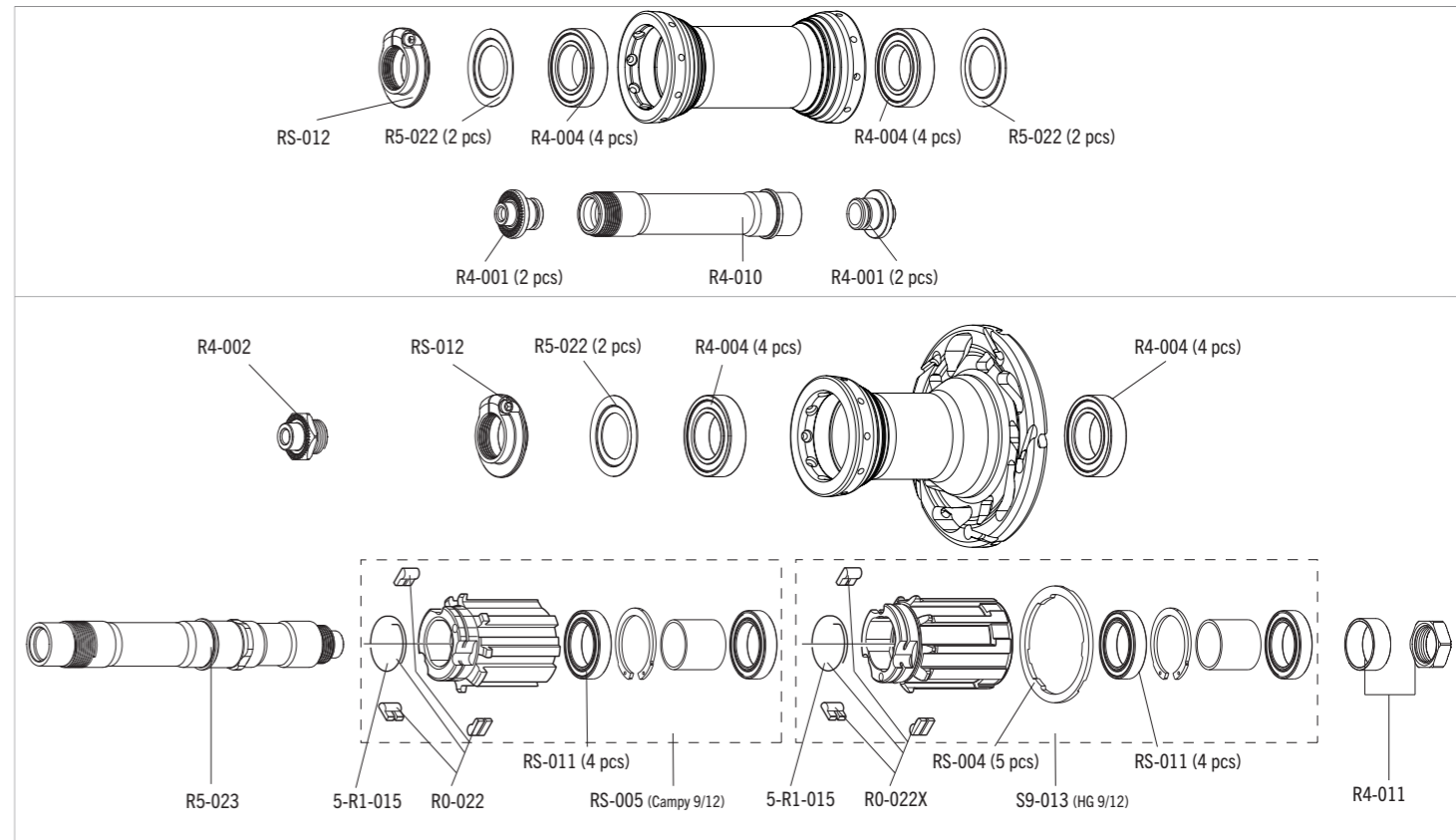
FRONT SPOKE	R5-416	4 spokes + 4 nipples
REAR RIGHT SPOKE	R5-418	4 spokes + 4 nipples
REAR LEFT SPOKE	R5-419	4 spokes + 4 nipples
NIPPLES	R5-B01	50 pcs

ACCESSORIES

Spacer for HG fw body	RS-004	5 pcs - to be used only with 9/10s sprockets
-----------------------	--------	--

RACING 5™ / 500 CLINCHER

HUBS/MOZZI



RACING 6™ / 600 CLINCHER

RIMS & SPOKES/CERCHI E RAGGI

RIM

	<p>RIM-TAPE LABEL KIT VALVE HOLE DIAMETER BRAKE PADS</p>	<p>R5-RT01 (20,5 mm - 2 pcs) R6-LAB19 (front+rear) - R600-LAB19 (front+rear) 6,5 mm 622 X 17C see "brake pads compatibility table" on www.fulcrumwheels.com</p>
--	--	--

SPOKES

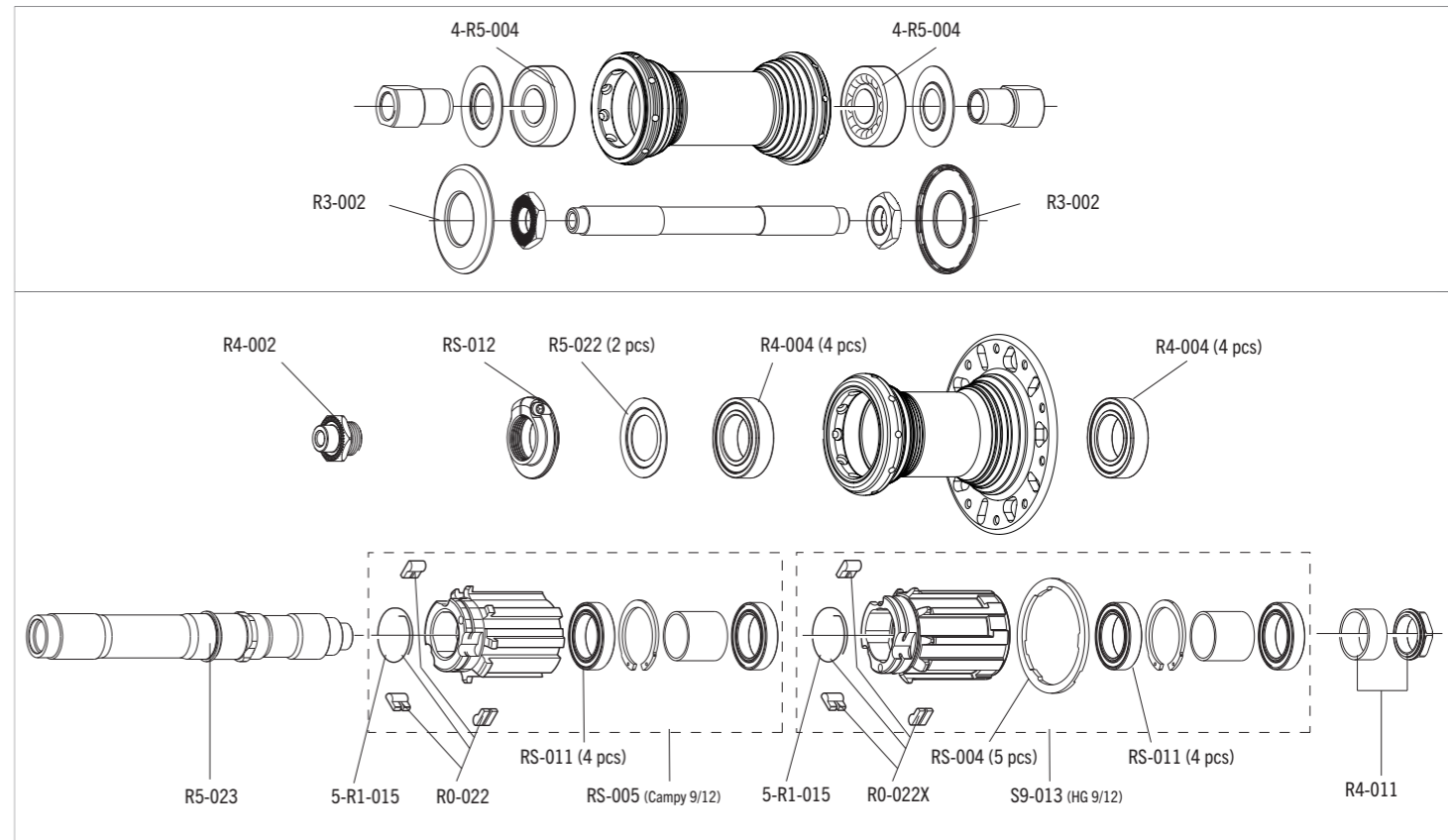
FRONT SPOKE	R6-016	4 spokes + 4 nipples
REAR RIGHT SPOKE	R6-018	4 spokes + 4 nipples
REAR LEFT SPOKE	R6-019	4 spokes + 4 nipples
NIPPLES	RZ7-B	50 pcs

ACCESSORIES

Spacer for HG fw body	RS-004	5 pcs - to be used only with 9/10s sprockets
-----------------------	--------	--

RACING 6™ / 600 CLINCHER

HUBS/MOZZI



RACING 900 CLINCHER

RIMS & SPOKES/CERCHI E RAGGI

RIM

		VALVE HOLE DIAMETER	6,5 mm 622 X 17C
--	--	------------------------	---------------------

SPOKES

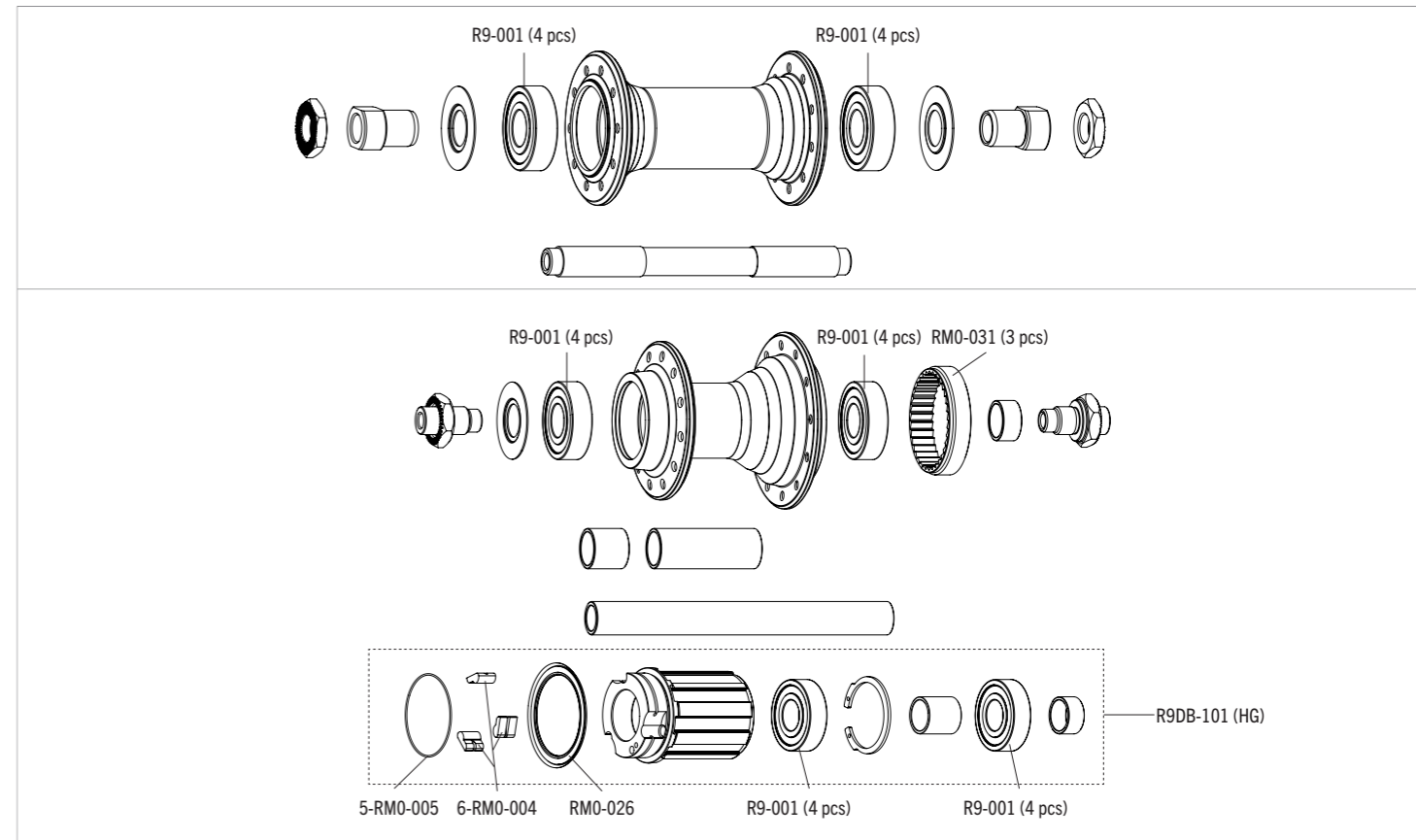
FRONT SPOKE L. 277	R9-016	4 spokes + 4 nipples
REAR RIGHT SPOKE L. 283.5	R9-018	4 spokes + 4 nipples
REAR LEFT SPOKE L. 272.5	R9DB-019	4 spokes + 4 nipples
NIPPLES	50-R3-N	50 pcs

ACCESSORIES

Spacer for HG fw body	RS-004	5 pcs - to be used only with 9/10s sprockets
-----------------------	--------	--

RACING 900 CLINCHER

HUBS/MOZZI



SPEED 360T™ tubular

RIM & HUB / CERCHIO E MOZZO

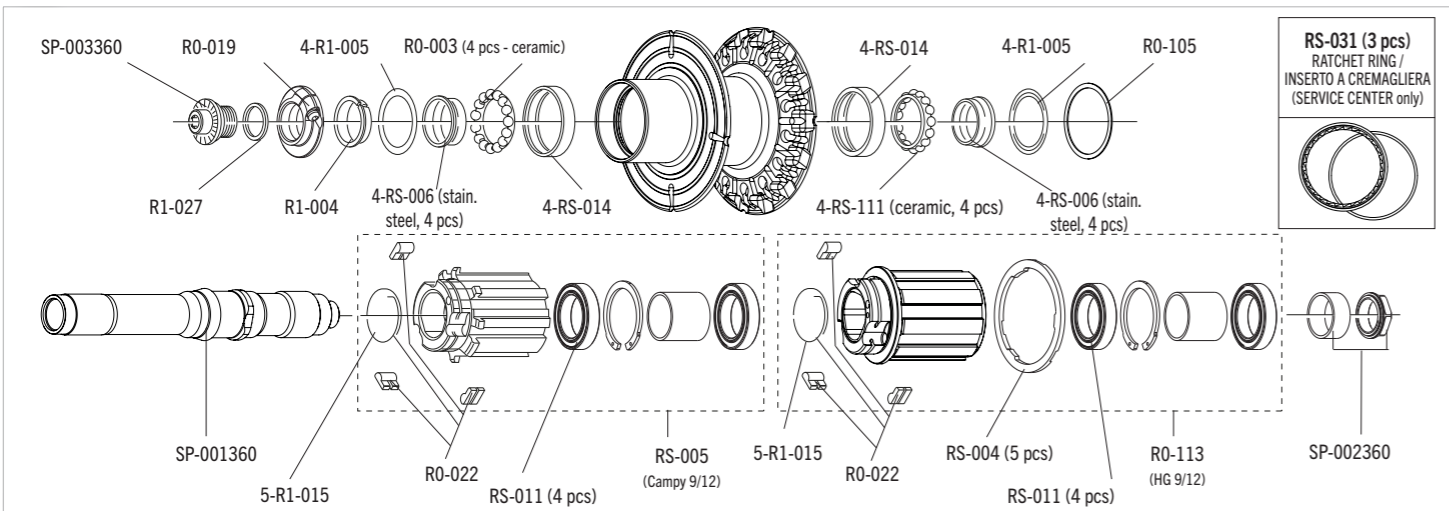
RIM

LABEL FOR VALVE HOLE	RC-100 (5 pcs)
VALVE HOLE BUSHINGS	RWX-014 (5 pcs)
VALVE EXTENSION	T-15M (male valve extension)
BRAKE SHOES	for carbon rims - BR-B0500 (for brakes with retention spring or interference fixing) - BR-B0500X1 (for brakes with screw fixing)

ACCESSORIES

Spacer for HG fw body	RS-004	5 pcs - to be used only with 9/10s sprockets
-----------------------	--------	--

HUB



VALVE EXTENSIONS

NOTE:
USE AIR CHAMBERS (INNER TUBES) WITH A LONG VALVE (AT LEAST 35 mm).

PROFILE RIM	MALE VALVE ADAPTER (SUPPLIED)	
RED WIND/RED WIND XLR H50	T-15M	L = 35 mm
RED WIND/RED WIND XLR H80	T-16M	L = 65 mm
RED WIND/RED WIND XLR H105	T-17M	L = 90 mm
RACING SPEED XLR H80	T-19M	L = 74 mm

PROFILE RIM	FEMALE VALVE ADAPTER (OPTION)	
RED WIND/RED WIND XLR H50	T-15F	L = 37 mm
RED WIND/RED WIND XLR H80	T-16F	L = 67 mm
RED WIND/RED WIND XLR H105	T-17F	L = 92 mm
RACING SPEED XLR H80	T-19F	L = 80 mm

SPEED 57 DB 2WF

AFS

RIMS & SPOKES/CERCHI E RAGGI

RIM

	<p>FRONT RIM REAR RIM LABEL KIT VALVE HOLE BUSHING DIAMETER</p>	<p>SPDB-2WF57F SPDB-2WF57R SP57DB-LAB24 (front + rear) RWX-014 (5 pcs) 622 x 23TC (ISO 5775-2)</p>
---	---	--

SPOKES

<p>FRONT LEFT L.267 FRONT RIGHT L.253,5 REAR LEFT L.262,5 REAR RIGHT L.265,5 NIPPLES</p>	<p>SPDB57-01 SPDB57-02 SPDB57-03 SPDB57-04 50-RZ3-ABSL</p>	<p>4 spokes + 4 nipples 4 spokes + 4 nipples 4 spokes + 4 nipples 4 spokes + 4 nipples 50 pcs</p>
--	--	---

ACCESSORIES

Spacer for HG11 FW body	RS-004	5 pcs - to be used only with 9/10s sprockets
-------------------------	--------	--

SPEED 57 DB 2WF

AFS

HUBS/MOZZI

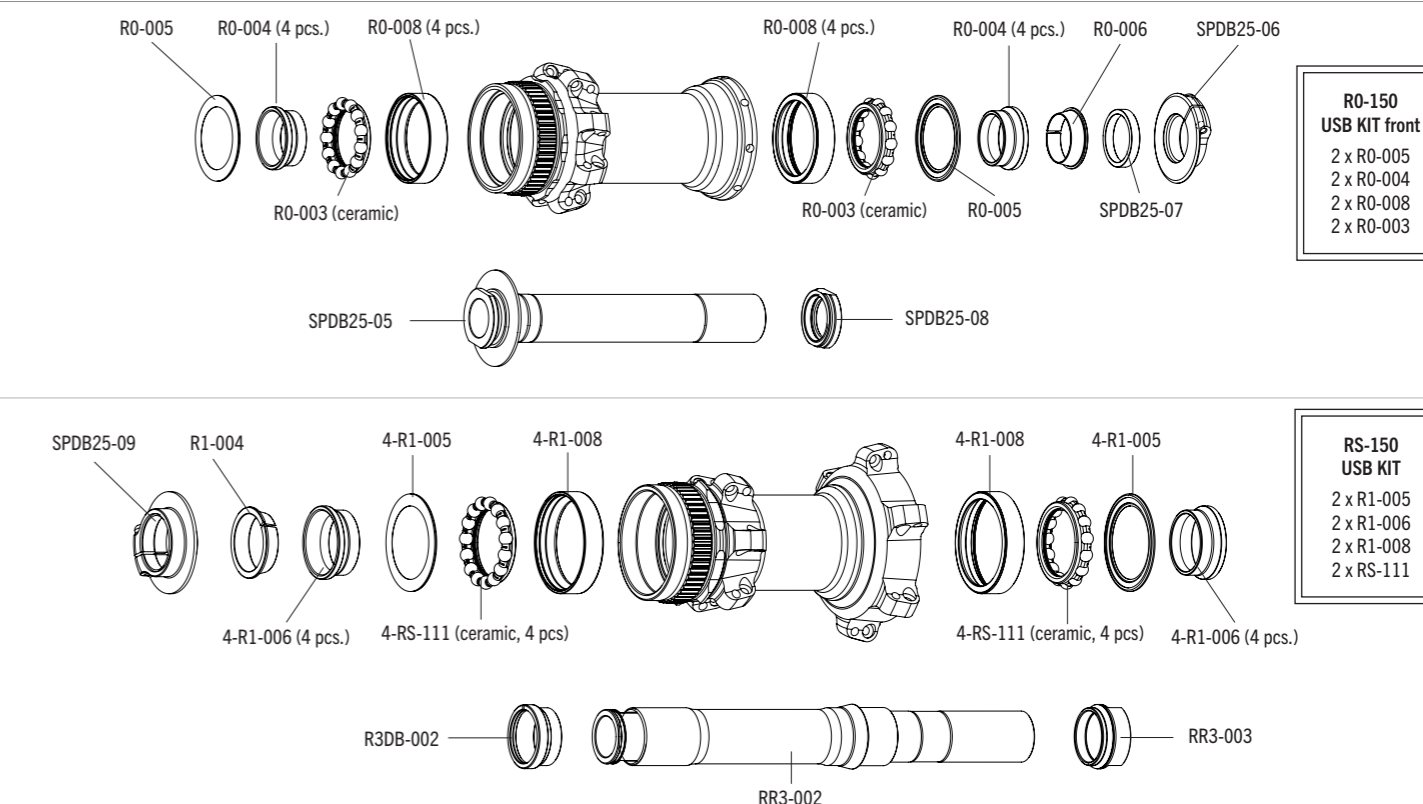


Diagram illustrating the hub assembly components and their part numbers:

- R0-005
- R0-004 (4 pcs.)
- R0-008 (4 pcs.)
- R0-008 (4 pcs.)
- R0-004 (4 pcs.)
- R0-006
- SPDB25-06
- R0-003 (ceramic)
- R0-003 (ceramic)
- R0-005
- SPDB25-07
- SPDB25-05
- SPDB25-08
- SPDB25-09
- R1-004
- 4-R1-005
- 4-R1-008
- 4-R1-008
- 4-R1-005
- 4-R1-006 (4 pcs.)
- 4-RS-111 (ceramic, 4 pcs)
- 4-RS-111 (ceramic, 4 pcs)
- 4-R1-006 (4 pcs.)
- R3DB-002
- RR3-002
- RR3-003

**R0-150
USB KIT front**
2 x R0-005
2 x R0-004
2 x R0-008
2 x R0-003

**RS-150
USB KIT**
2 x R1-005
2 x R1-006
2 x R1-008
2 x RS-111

Complete FW body Ø 33 mm /
Corpetti RL completi Ø 33 mm

R0-201 (HG 9/12) - R0-203 (Campy N3W for 13s / buy from Campy adapter AC21-N3W for 11-12s) - R0-202 (XDR)
R0-127 (MICRO SPLINE 12)

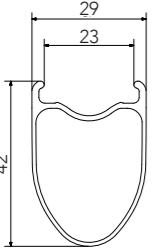
See exploded view pag. 102

SPEED 42 DB 2WF

AFS

RIMS & SPOKES/CERCHI E RAGGI

RIM

	<p>FRONT RIM REAR RIM LABEL KIT VALVE HOLE BUSHING DIAMETER</p>	<p>SPDB-2WF42F SPDB-2WF42R SP42DB-LAB24 (front + rear) RWX-014 (5 pcs) 622 x 23TC (ISO 5775-2)</p>
---	---	--

SPOKES

<p>FRONT LEFT L.281 FRONT RIGHT L.268 REAR LEFT L.277,5 REAR RIGHT L.281 NIPPLES</p>	<p>SPDB42-01 SPDB42-02 SPDB42-03 SPDB42-04 50-RZ3-ABSL</p>	<p>4 spokes + 4 nipples 4 spokes + 4 nipples 4 spokes + 4 nipples 4 spokes + 4 nipples 50 pcs</p>
--	--	---

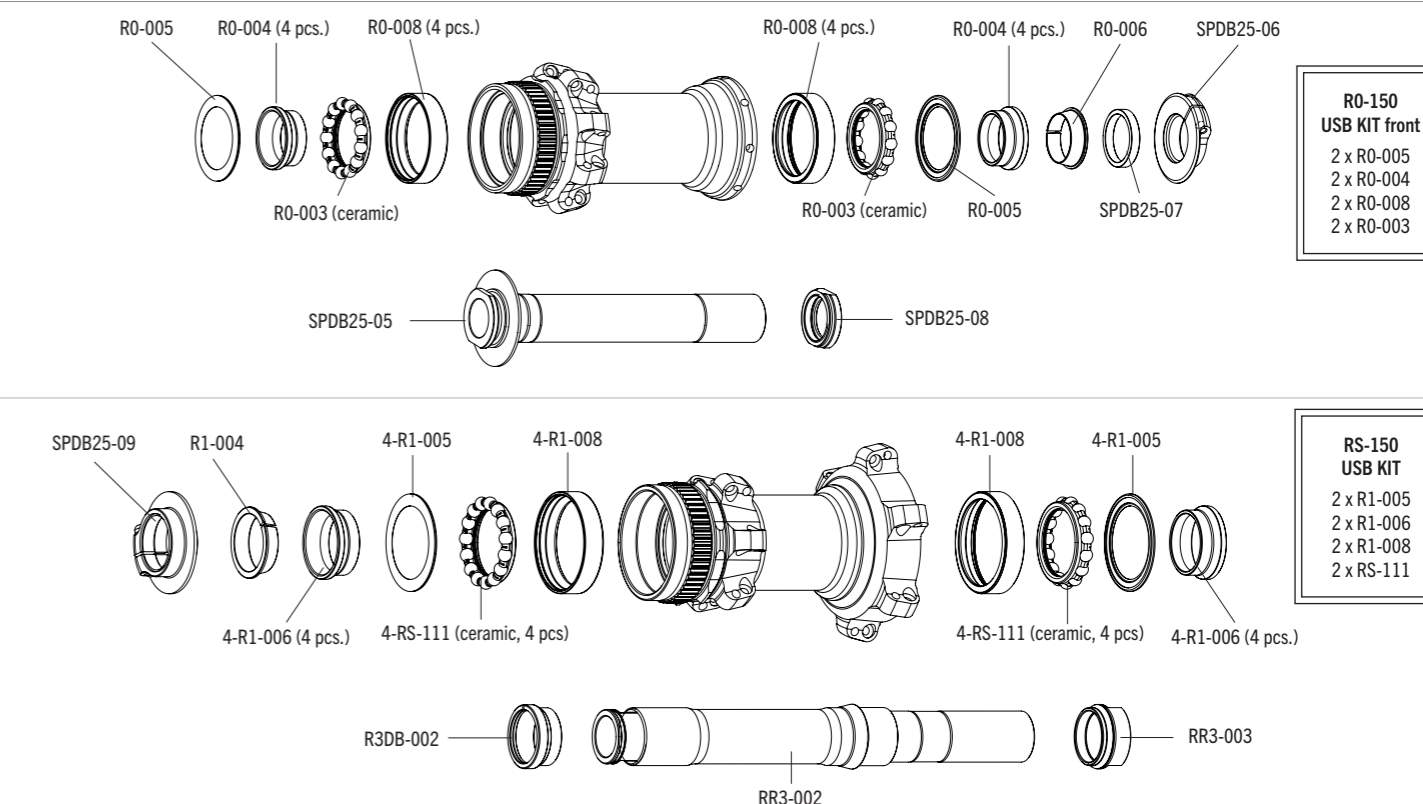
ACCESSORIES

Spacer for HG11 FW body	RS-004	5 pcs - to be used only with 9/10s sprockets
-------------------------	--------	--

SPEED 42 DB 2WF

AFS

HUBS/MOZZI



R0-150 USB KIT front
2 x R0-005
2 x R0-004
2 x R0-008
2 x R0-003

R0-150 USB KIT
2 x R1-005
2 x R1-006
2 x R1-008
2 x RS-111

Complete FW body Ø 33 mm /
Corpetti RL completi Ø 33 mm

R0-201 (HG 9/12) - R0-203 (Campy N3W for 13s / buy from Campy adapter AC21-N3W for 11-12s) - R0-202 (XDR)
R0-127 (MICRO SPLINE 12)

See exploded view pag. 102

SPEED 25 DB 2WF

AFS

RIMS & SPOKES/CERCHI E RAGGI

RIM

	<p>FRONT RIM REAR RIM VALVE HOLE BUSHING DIAMETER</p>	<p>SPDB-2WF25F (with labels) SPDB-2WF25R (with labels) RWX-014 (5 pcs) 622 x 21C</p>
--	---	--

SPOKES

<p>FRONT LEFT L.297 FRONT RIGHT L.284 REAR LEFT L.296 REAR RIGHT L.293,5 NIPPLES</p>	<p>SPDB25-01 SPDB25-02 SPDB25-03 SPDB25-04 50-RZ3-ABSL</p>	<p>4 spokes + 4 nipples 4 spokes + 4 nipples 4 spokes + 4 nipples 4 spokes + 4 nipples 50 pcs</p>
--	--	---

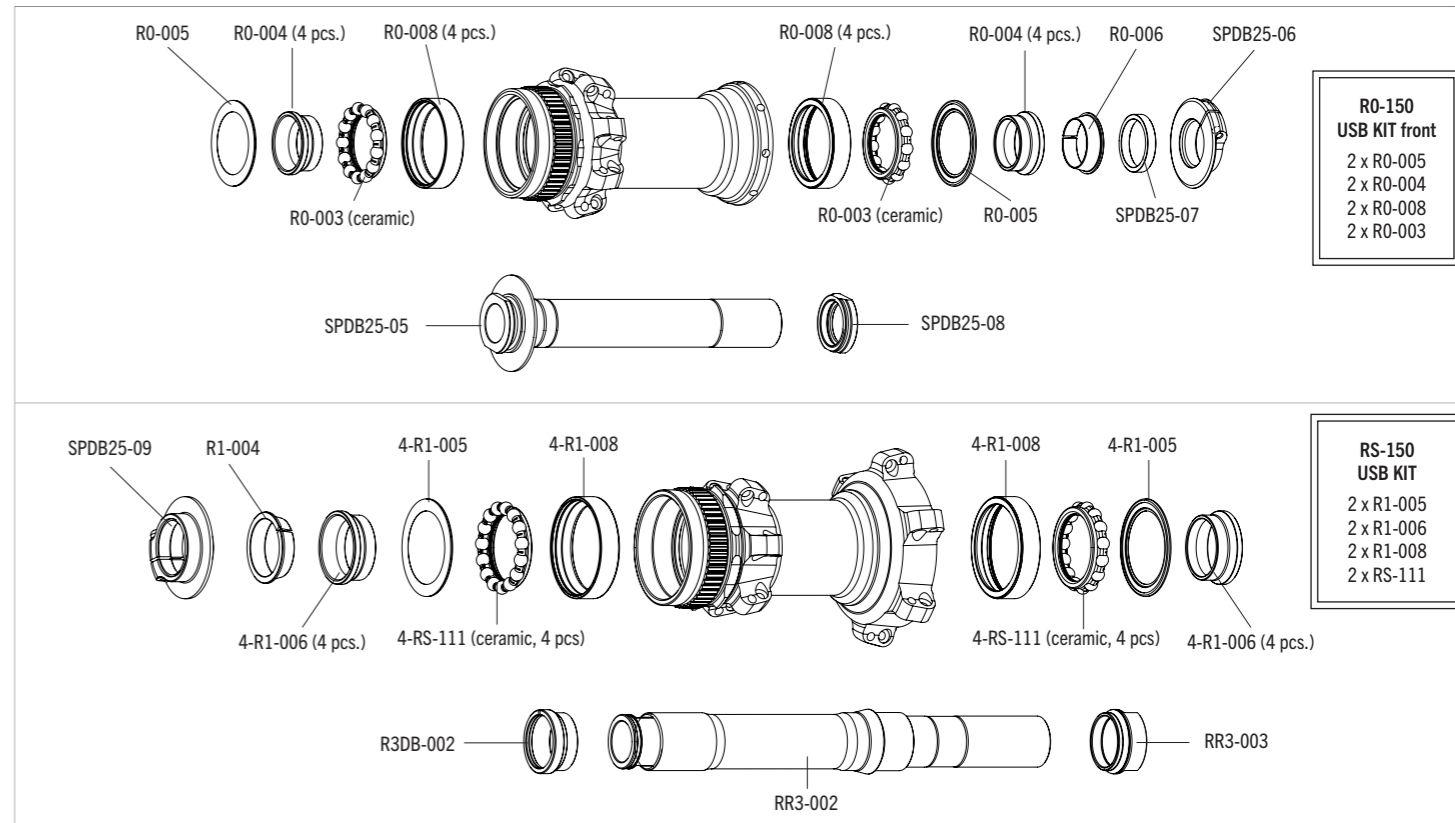
ACCESSORIES

Spacer for HG11 FW body	RS-004	5 pcs - to be used only with 9/10s sprockets
-------------------------	--------	--

SPEED 25 DB 2WF

AFS

HUBS/MOZZI



Complete FW body Ø 33 mm /
Corpetti RL completi Ø 33 mm

R0-201 (HG 9/12) - R0-203 (Campy N3W for 13s / buy from Campy adapter AC21-N3W for 11-12s) - R0-202 (XDR)
R0-127 (MICRO SPLINE 12)

See exploded view pag. 102

SPEED 55 CMPTZN DB 2WF

AFS

RIMS & SPOKES/CERCHI E RAGGI

RIM

	FRONT/REAR RIM VALVE HOLE BUSHINGS DIAMETER	SPDBCM-2WF55 (with labels) RWX-014 (5 pcs) 622 x C19
---	---	--

SPOKES

FRONT LEFT / REAR RIGHT FRONT RIGHT REAR LEFT NIPPLES	SPDB55-016 SPDB55-017 SPDB55-019 50-EMF-015ALB	4 spokes + 4 nipples 4 spokes + 4 nipples 4 spokes + 4 nipples 10 pcs.
--	---	---

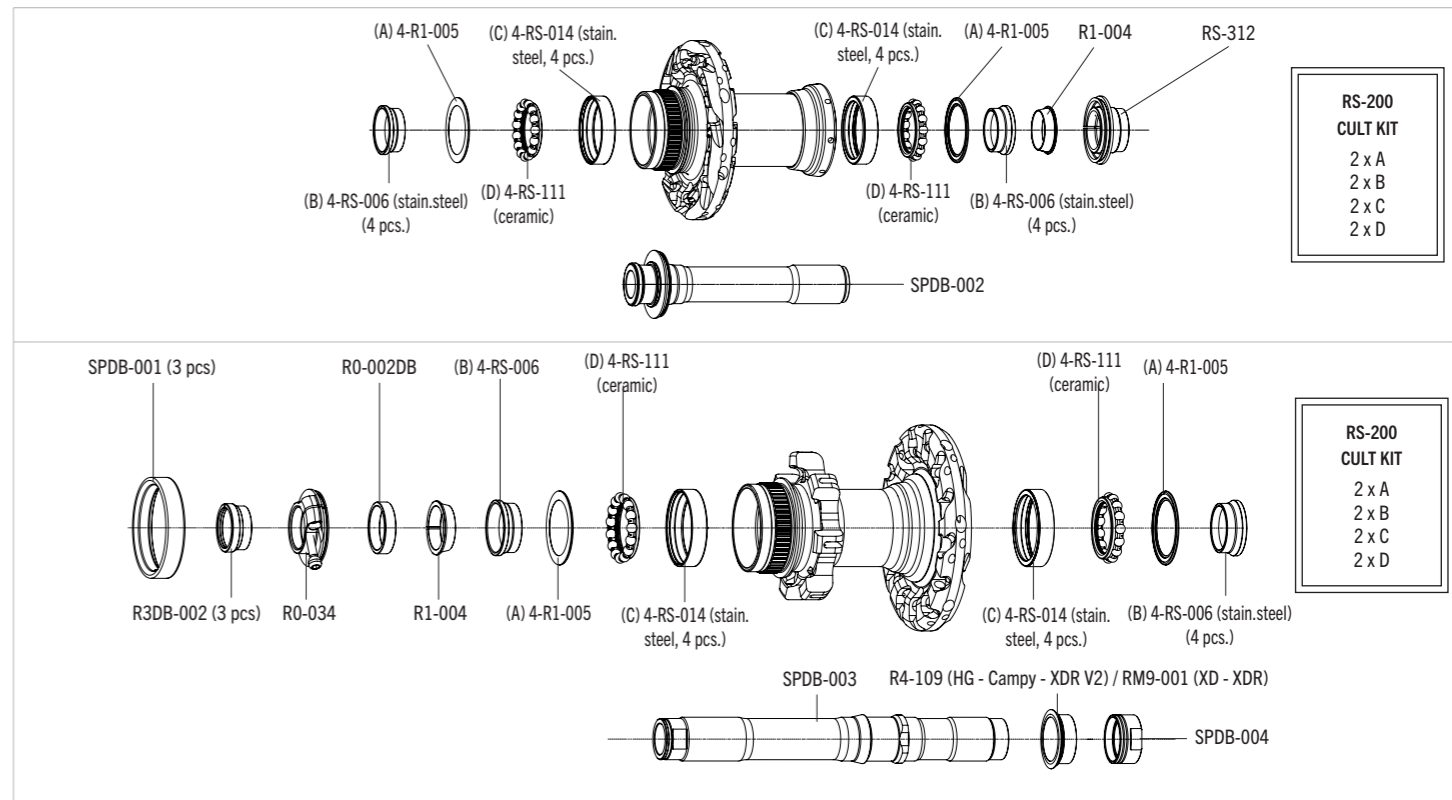
ACCESSORIES

Spacer for HG fw body	RS-004	5 pcs - to be used only with 9/10s sprockets
-----------------------	--------	--

SPEED 55 CMPTZN DB 2WF

AFS

HUBS/MOZZI



Complete FW body / Corpetti RL completi

R0-113 (HG 9/12) - RS-005 (Campagnolo) - R0-126 (XDR V2)

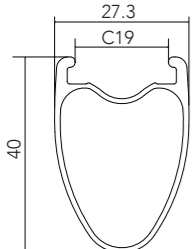
See exploded view pag. 102

SPEED 40 CMPTZN DB 2WF

AFS

RIMS & SPOKES/CERCHI E RAGGI

RIM

	FRONT/REAR RIM VALVE HOLE BUSHINGS DIAMETER	SPDBCM-2WF40 (with labels) RWX-014 (5 pcs) 622 x C19
---	---	--

SPOKES

FRONT LEFT / REAR RIGHT FRONT RIGHT REAR LEFT NIPPLES	RSDB-DS290 RSDB-DS291 RSDB-DS292 RWX-B	4 spokes + 4 nipples 4 spokes + 4 nipples 4 spokes + 4 nipples 10 pcs.
--	---	---

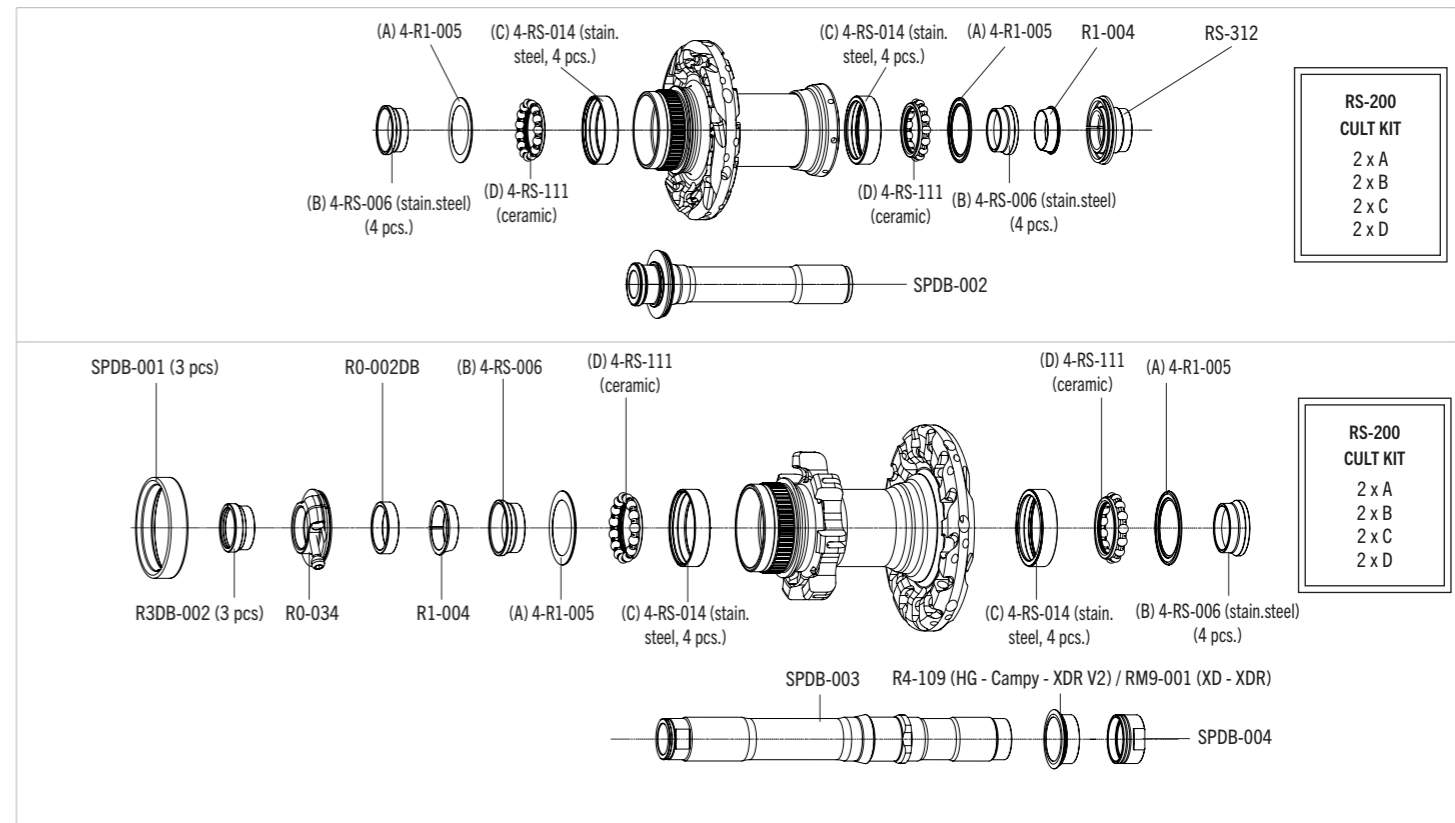
ACCESSORIES

Spacer for HG fw body	RS-004	5 pcs - to be used only with 9/10s sprockets
-----------------------	--------	--

SPEED 40 CMPTZN DB 2WF

AFS

HUBS/MOZZI

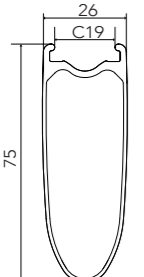


WIND 75 DB

AFS

RIMS & SPOKES/CERCHI E RAGGI

RIM

	<p>FRONT/REAR RIM LABEL KIT VALVE HOLE VALVE HOLE BUSHINGS DIAMETER</p>	<p>W75DB-FR21 (with labels) W75DB-LAB21 (front + rear Wind 75 DB) - W750DB-LAB21 (front + rear Wind 750 DB) 6,5 mm RWX-014 (5 pcs) 622 x 19C</p>
---	---	---

SPOKES

<p>FRONT RH SPOKE L. 243,5 FRONT LH/REAR RH SPOKE L. 248 REAR LH L.244,5 NIPPLES</p>	<p>W75DB-016 W75DB-017 W75DB-018 50-EMF-015ALB</p>	<p>4 spokes + 4 nipples 4 spokes + 4 nipples 4 spokes + 4 nipples 50 pcs</p>
--	--	--

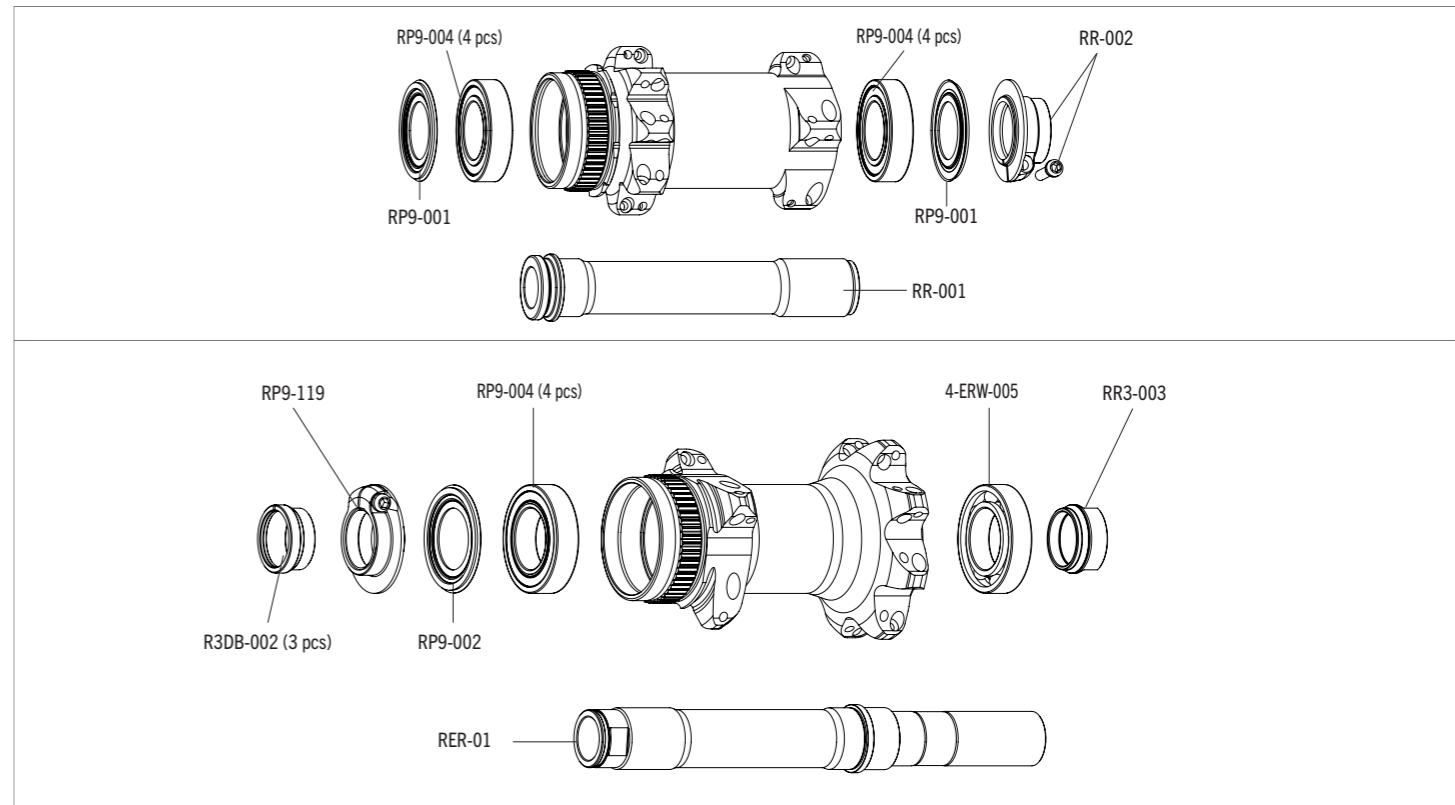
ACCESSORIES

<p>Spacer for HG fw body</p>	<p>RS-004</p>	<p>5 pcs - to be used only with 9/10s sprockets</p>
------------------------------	---------------	---

WIND 75 DB

AFS

HUBS/MOZZI



Complete FW body Ø 33 mm / Corpetti RL completi Ø 33 mm

R0-201 (HG 9/12) - R0-203 (Campy N3W for 13s / buy from Campy adapter AC21-N3W for 11-12s) - R0-202 (XDR)
R0-127 (MICRO SPLINE 12)

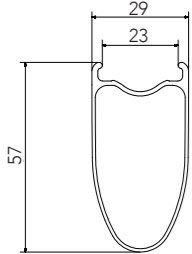
See exploded view pag. 102

WIND 57 DB 2WF

AFS

RIMS & SPOKES/CERCHI E RAGGI

RIM

	<p>LABEL KIT VALVE HOLE BUSHING DIAMETER</p>	<p>W57DB-LAB24 (front + rear) RWX-014 (5 pcs) 622 x 23TC (ISO 5775-2)</p>
---	--	---

SPOKES

<p>FRONT LEFT L.265 FRONT RIGHT L.261 REAR LEFT L.260 REAR RIGHT L.264 NIPPLES</p>	<p>W57DB-01 W57DB-02 W57DB-03 W57DB-04 50-RZ3-ABSL</p>	<p>4 spokes + 4 nipples 4 spokes + 4 nipples 4 spokes + 4 nipples 4 spokes + 4 nipples 50 pcs</p>
--	--	---

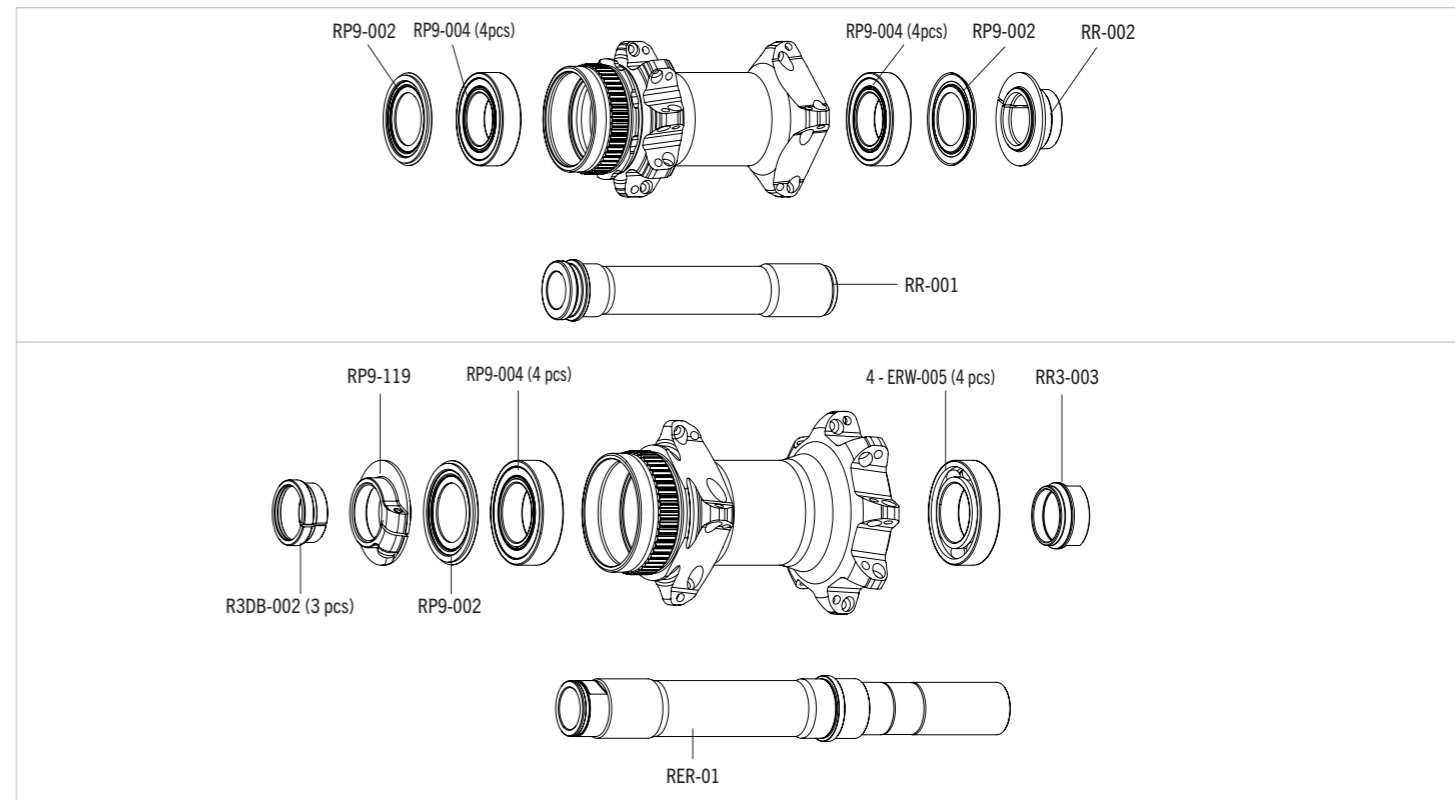
ACCESSORIES

<p>Spacer for HG11 FW body</p>	<p>RS-004</p>	<p>5 pcs - to be used only with 9/10s sprockets</p>
--------------------------------	---------------	---

WIND 57 DB 2WF

AFS

HUBS/MOZZI



Complete FW body Ø 33 mm / Corpetti RL completi Ø 33 mm

R0-201 (HG 9/12) - R0-203 (Campy N3W for 13s / buy from Campy adapter AC21-N3W for 11-12s)
R0-202 (XDR) - R0-127 (MICRO SPLINE 12)

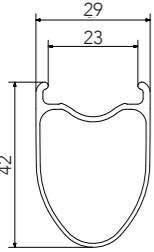
See exploded view pag. 102

WIND 42 DB 2WF

AFS

RIMS & SPOKES/CERCHI E RAGGI

RIM

	<p>LABEL KIT VALVE HOLE BUSHING DIAMETER</p>	<p>W42DB-LAB24 (front + rear) RWX-014 (5 pcs) 622 x 23TC (ISO 5775-2)</p>
---	--	---

SPOKES

<p>FRONT LEFT L.280 FRONT RIGHT L.276 REAR LEFT L.275,5 REAR RIGHT L.279 NIPPLES</p>	<p>W42DB-01 W42DB-02 W42DB-03 W42DB-04 50-RZ3-ABSL</p>	<p>4 spokes + 4 nipples 4 spokes + 4 nipples 4 spokes + 4 nipples 4 spokes + 4 nipples 50 pcs</p>
--	--	---

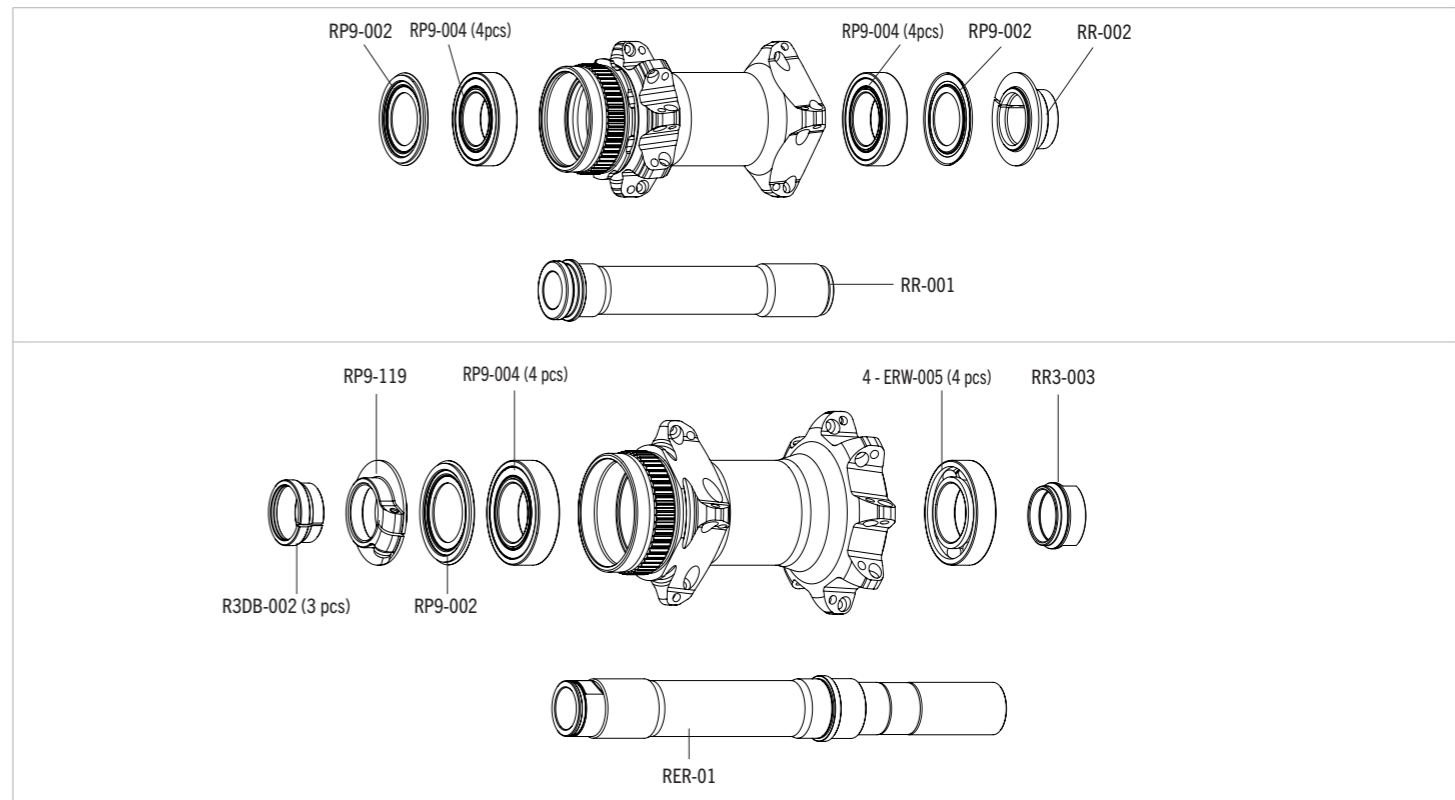
ACCESSORIES

<p>Spacer for HG11 FW body</p>	<p>RS-004</p>	<p>5 pcs - to be used only with 9/10s sprockets</p>
--------------------------------	---------------	---

WIND 42 DB 2WF

AFS

HUBS/MOZZI



Complete FW body Ø 33 mm / Corpetti RL completi Ø 33 mm

R0-201 (HG 9/12) - R0-203 (Campy N3W for 13s / buy from Campy adapter AC21-N3W for 11-12s)
R0-202 (XDR) - R0-127 (MICRO SPLINE 12)

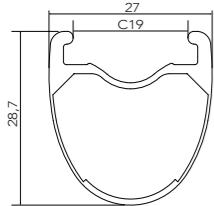
See exploded view pag. 102

RACING ZERO CARBON CMPTZN DB

AFS

RIMS & SPOKES/CERCHI E RAGGI

RIM

	FRONT RIM	ROCCDB-F01
	REAR RIM	ROCCDB-R01
VALVE HOLE	6 mm	
VALVE HOLE BUSHING	R0-114 (for valve seat reduction - 5 pcs)	
DIAMETER	622 x C19	

SPOKES

COMPLETE FRONT KIT	ROCDB-F001	14 left + 7 rear
COMPLETE REAR KIT	ROCDB-R002	7 left + 14 rear
FRONT LEFT/REAR RIGHT	ROCDB-003	1 spokes + 1 nipples
FRONT RIGHT	ROCDB-004	1 spokes + 1 nipples
REAR LEFT	ROCDB-005	1 spokes + 1 nipples
NIPPLES	R0-115B	10 pcs.

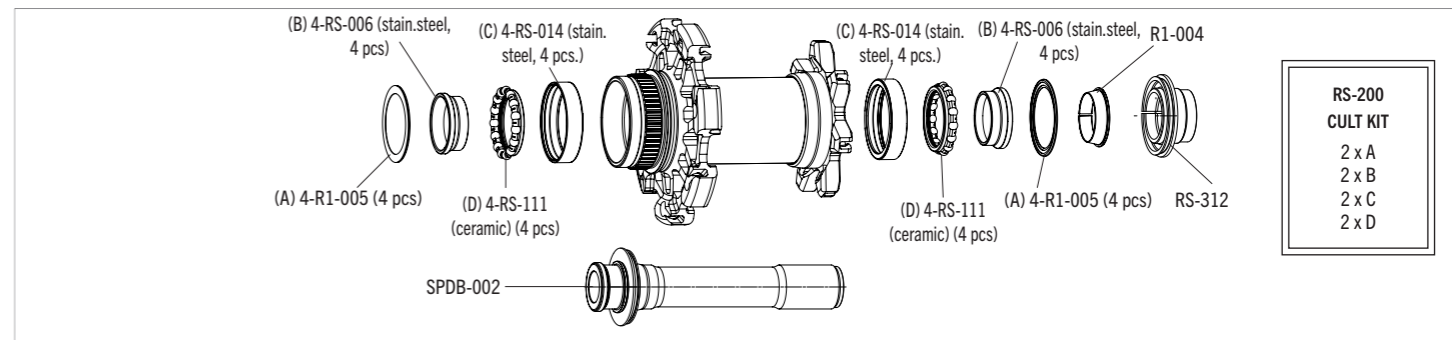
ACCESSORIES

Spacer for HG fw body	RS-004	5 pcs - to be used only with 9/10s sprockets
-----------------------	--------	--

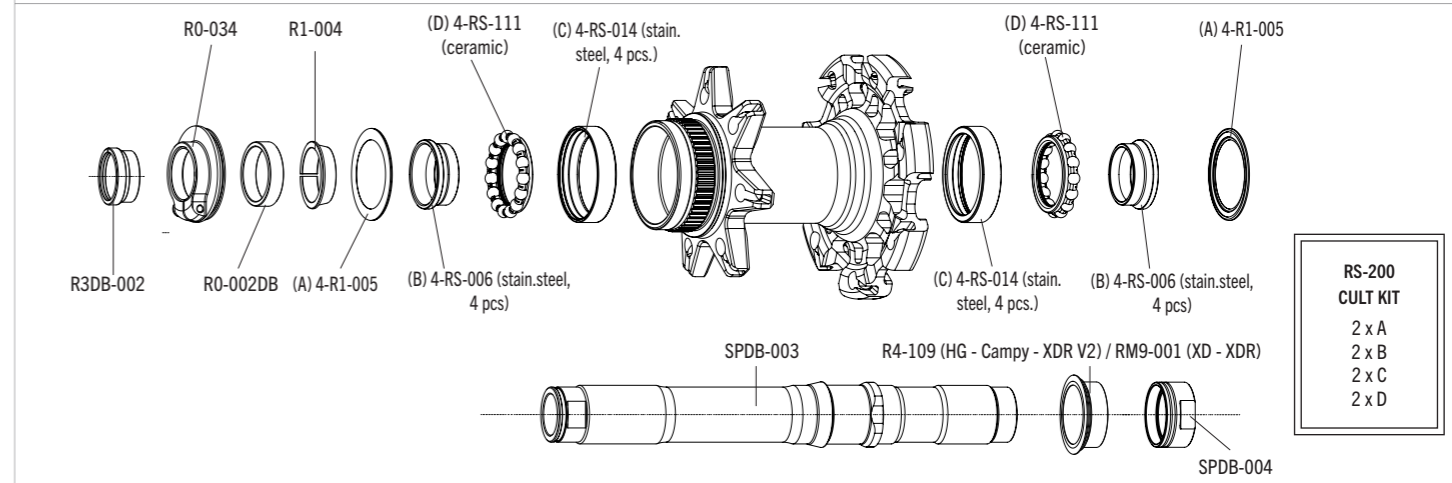
RACING ZERO CARBON CMPTZN DB

AFS

HUBS/MOZZI



RS-200 CULT KIT
2 x A
2 x B
2 x C
2 x D



RS-200 CULT KIT
2 x A
2 x B
2 x C
2 x D

Complete FW body / Corpetti RL completi

R0-113 (HG 9/12) - RS-005 (Campagnolo) - R0-126 (XDR V2)

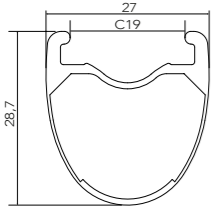
See exploded view pag. 102

RACING ZERO CARBON DB

AFS

RIMS & SPOKES/CERCHI E RAGGI

RIM

	FRONT RIM	ROCDB-F011
	REAR RIM	ROCDB-R011
	VALVE HOLE	6 mm
	VALVE HOLE BUSHING	R0-114 (for valve seat reduction - 5 pcs)
	DIAMETER	622 x C19

SPOKES

COMPLETE FRONT KIT	ROCDB-F001	14 left + 7 rear
COMPLETE REAR KIT	ROCDB-R002	7 left + 14 rear
FRONT LEFT/REAR RIGHT	ROCDB-003	1 spokes + 1 nipples
FRONT RIGHT	ROCDB-004	1 spokes + 1 nipples
REAR LEFT	ROCDB-005	1 spokes + 1 nipples
NIPPLES	R0-115B	10 pcs.

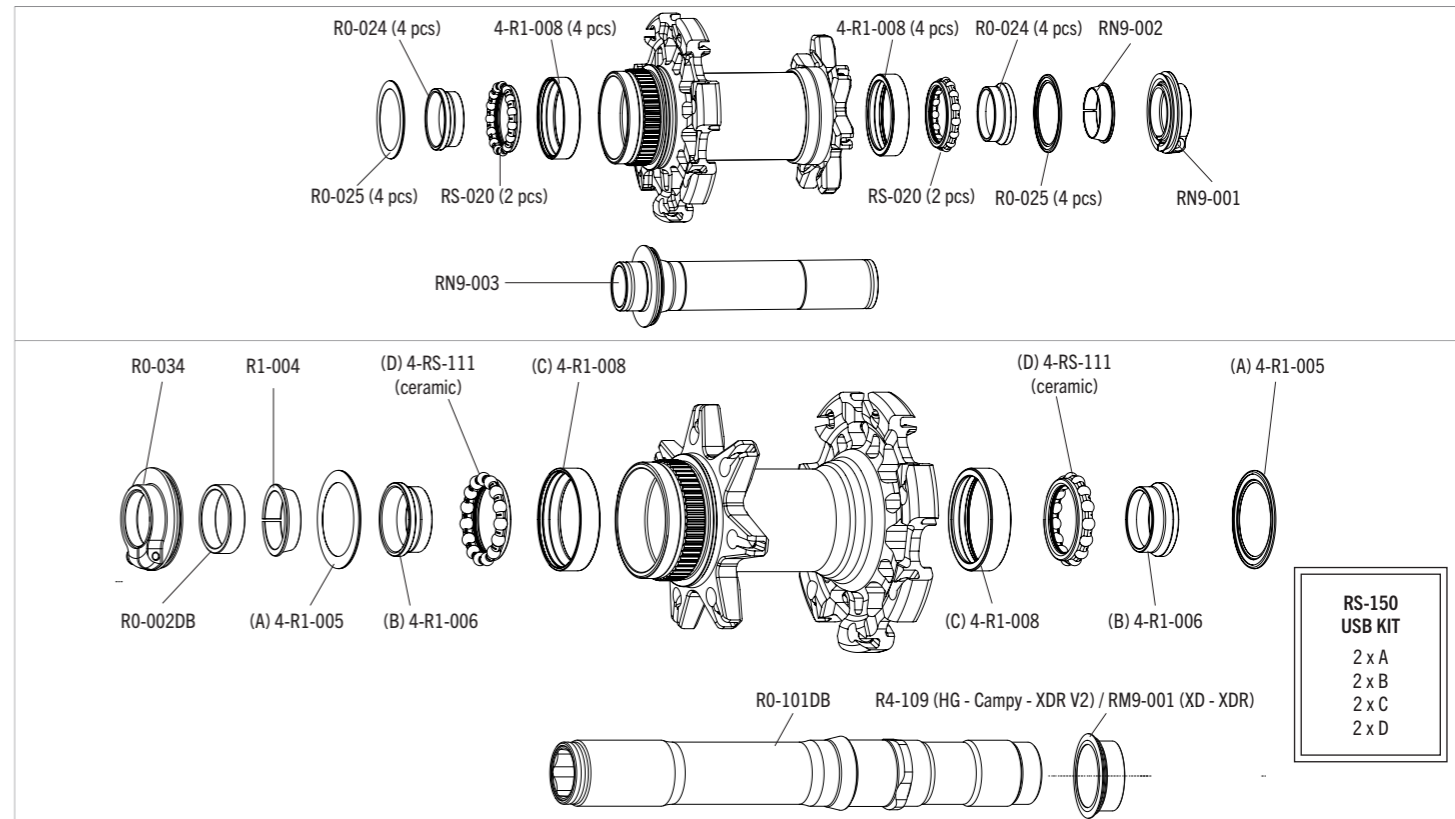
ACCESSORIES

Spacer for HG fw body	RS-004	5 pcs - to be used only with 9/10s sprockets
-----------------------	--------	--

RACING ZERO CARBON DB

AFS

HUBS/MOZZI



Complete FW body / Corpetti RL completi

R0-113 (HG 9/12) - RS-005 (Campagnolo) - R0-126 (XDR V2)

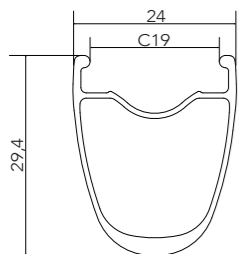
See exploded view pag. 102

RACING ZERO CMPTZN DB

AFS

RIMS & SPOKES/CERCHI E RAGGI

RIM

	<p>FRONT/REAR RIM VALVE</p> <p>VALVE HOLE BUSHING DIAMETER</p>	<p>R0F-CR01DBC</p> <p>M1-044</p> <p>R0-114 (for valve seat reduction - 5 pcs)</p> <p>622 x C19</p>
---	--	--

SPOKES

COMPLETE FRONT KIT	R0F-SKB31	14 left + 7 rear
COMPLETE REAR KIT	R0R-SKB31	7 left + 14 rear
FRONT LEFT/REAR RIGHT	R0-217B	1 spokes + 1 nipples
FRONT RIGHT	R0-216B	1 spokes + 1 nipples
REAR LEFT	R0-219B	1 spokes + 1 nipples
NIPPLES	R0DB-N1	10 pcs.

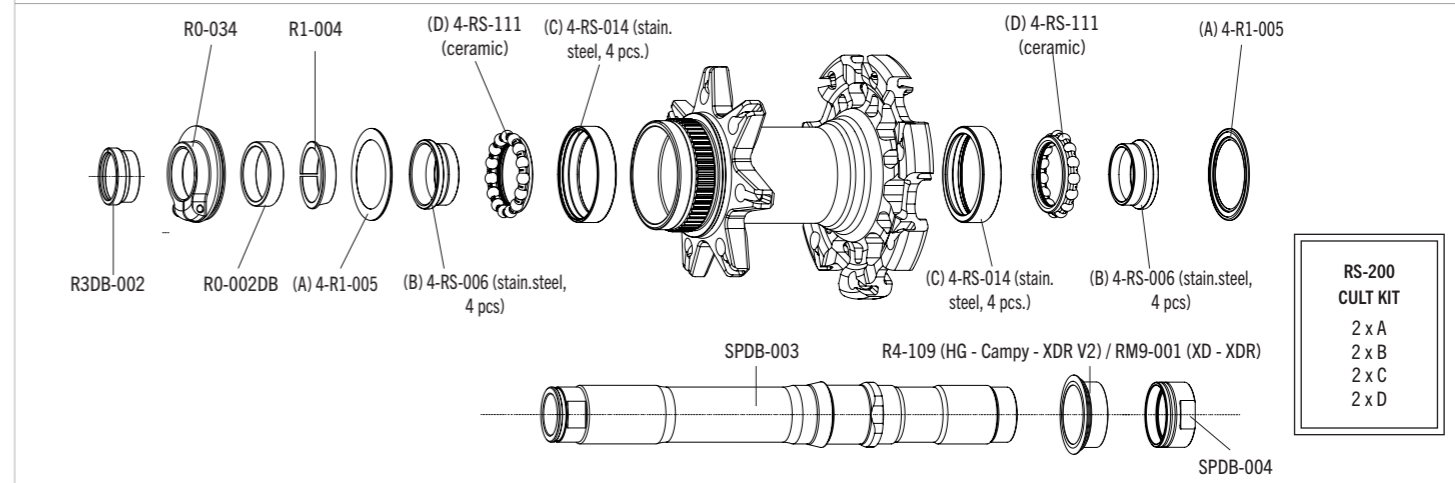
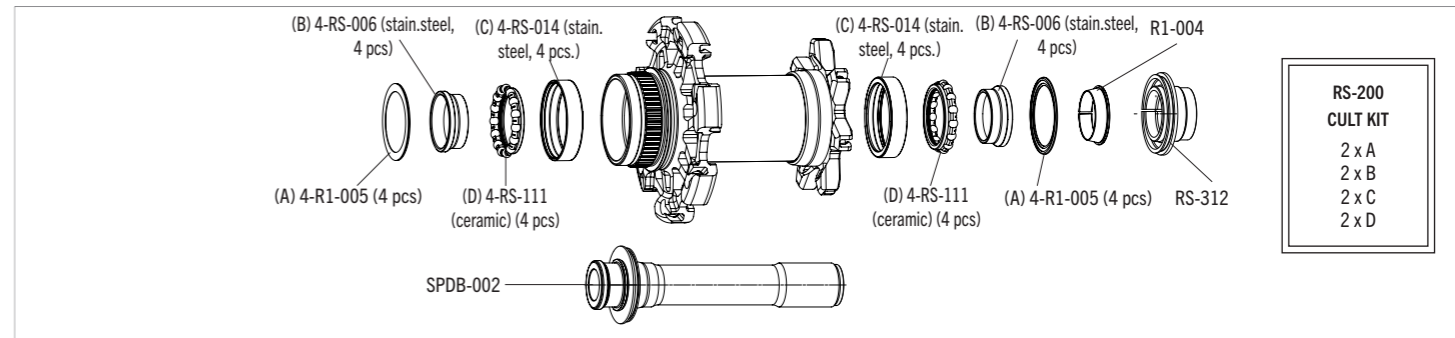
ACCESSORIES

Spacer for HG fw body	RS-004	5 pcs - to be used only with 9/10s sprockets
-----------------------	--------	--

RACING ZERO CMPTZN DB

AFS

HUBS/MOZZI



Complete FW body / Corpetti RL completi

R0-113 (HG 9/12) - RS-005 (Campagnolo) - R0-123 (XDR) - R0-126 (XDR V2)

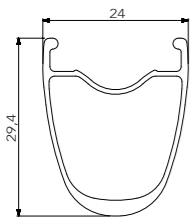
See exploded view pag. 102

RACING ZERO DB

AFS

RIMS & SPOKES/CERCHI E RAGGI

RIM

	<p>FRONT/REAR RIM LABEL KIT VALVE HOLE VALVE HOLE BUSHING DIAMETER</p>	<p>R0F-CR02DB R0-LAB20DB 6 mm R0-114 (for valve seat reduction - 5 pcs) 622 x C19</p>
---	--	---

SPOKES

<p>COMPLETE FRONT KIT COMPLETE REAR KIT FRONT LEFT/REAR RIGHT FRONT RIGHT REAR LEFT NIPPLES</p>	<p>R0F-SKB31 R0R-SKB31 R0-217B R0-216B R0-219B R0DB-N1</p>	<p>14 left + 7 rear 7 left + 14 rear 1 spokes + 1 nipples 1 spokes + 1 nipples 1 spokes + 1 nipples 10 pcs.</p>
---	--	---

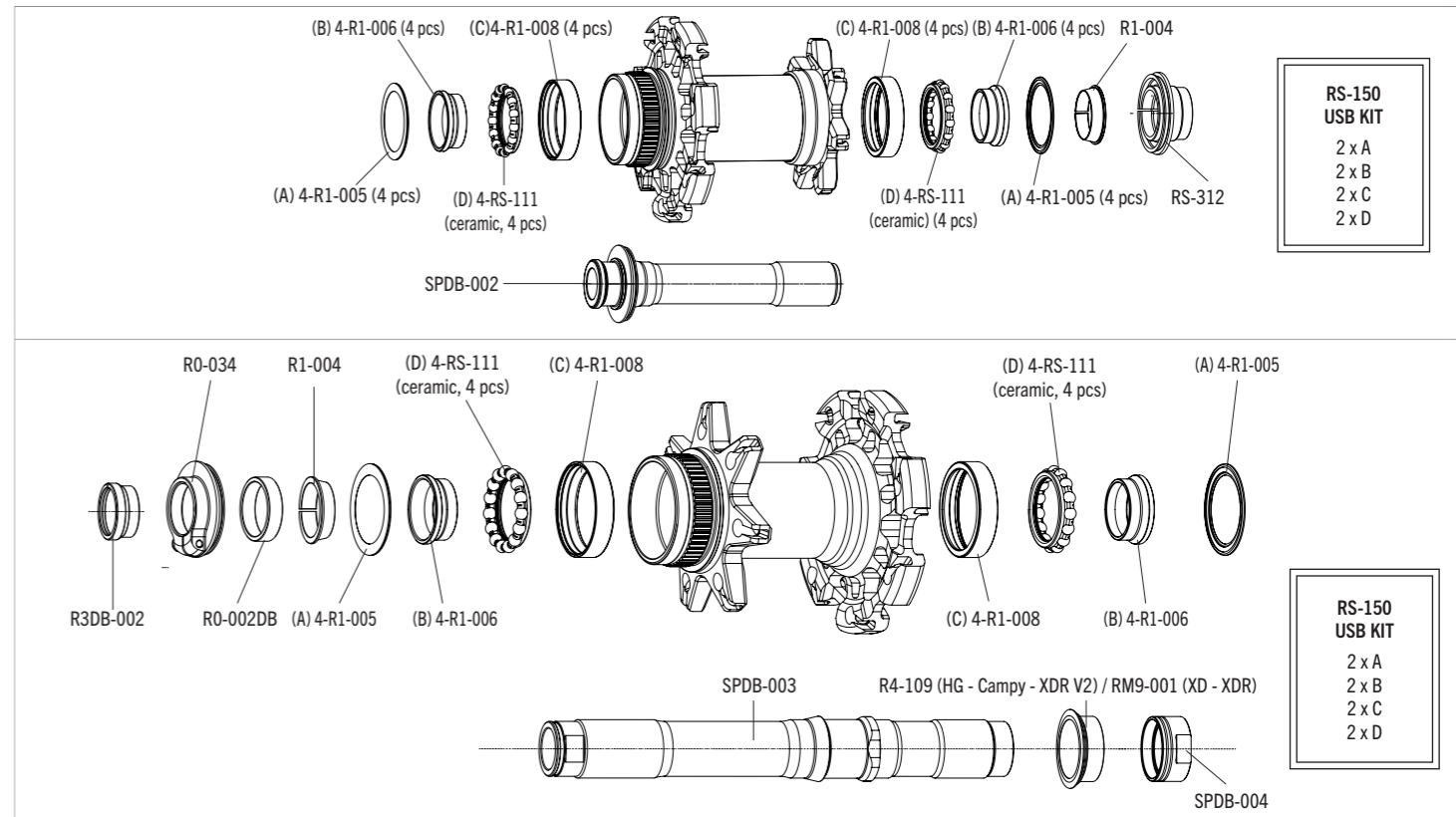
ACCESSORIES

<p>Spacer for HG fw body</p>	<p>RS-004</p>	<p>5 pcs - to be used only with 9/10s sprockets</p>
------------------------------	---------------	---

RACING ZERO DB

AFS

HUBS/MOZZI



Complete FW body / Corpetti RL completi

R0-113 (HG 9/12) - RS-005 (Campagnolo) - R0-126 (XDR V2)

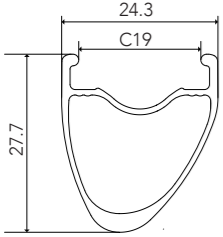
See exploded view pag. 102

RACING 3 DB

AFS

RIMS & SPOKES/CERCHI E RAGGI

RIM

	FRONT/REAR RIM LABEL KIT VALVE HOLE VALVE ADAPTER R3 DB DIAMETER	R3DB-CR01 R3DB-LAB19 6 mm R3DB-001 (2 pcs) 622 x C19
---	--	--

SPOKES

FRONT RIGHT FRONT LEFT/REAR RIGHT REAR LEFT NIPPLES	R3DB-016 R3DB-017 R3DB-018 RWX-B (10 pcs)	4 spokes + 4 nipples 4 spokes + 4 nipples 4 spokes + 4 nipples 10 pcs.
--	--	---

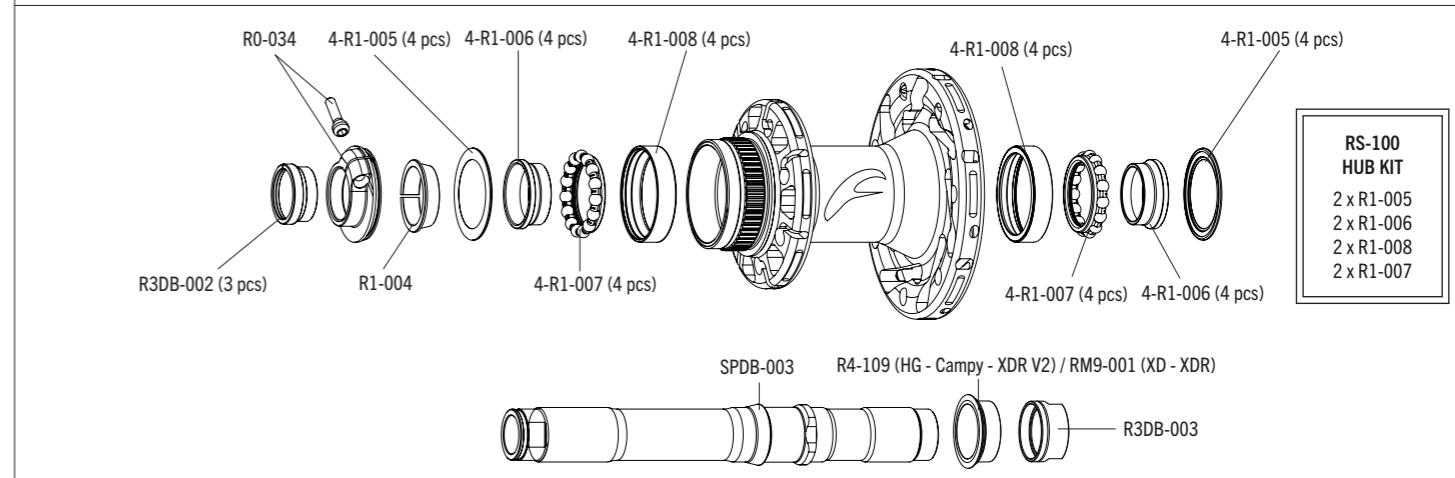
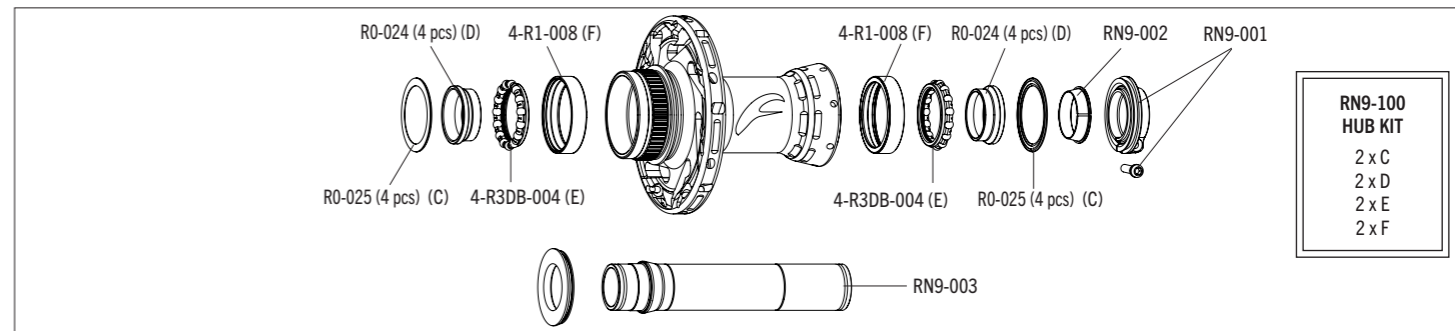
ACCESSORIES

Spacer for HG fw body	RS-004	5 pcs - to be used only with 9/10s sprockets
-----------------------	--------	--

RACING 3 DB

AFS

HUBS/MOZZI



Complete FW body / Corpetti RL completi

R0-113 (HG 9/12) - RS-005 (Campagnolo) - R0-126 (XDR V2)

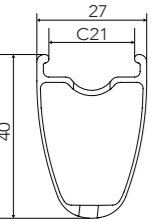
See exploded view pag. 102

AIRBEAT 550 DB

AFS

RIMS & SPOKES/CERCHI E RAGGI

RIM

	TUBELESS TAPE VALVE HOLE DIAMETER	RR-006 (26 mm, L = 5 m) 6,5 mm 622 x 21C
---	---	--

SPOKES

FRONT LH/REAR LH SPOKE L. 268 FRONT RH/REAR RH SPOKE L. 263,5 NIPPLES	AB5-001 AB5-002 50-AB-BBL	4 spokes + 4 nipples + 4 washer + 4 support washer 4 spokes + 4 nipples + 4 washer + 4 support washer 50 pcs + 20 washers + 20 support washer
---	---------------------------------	---

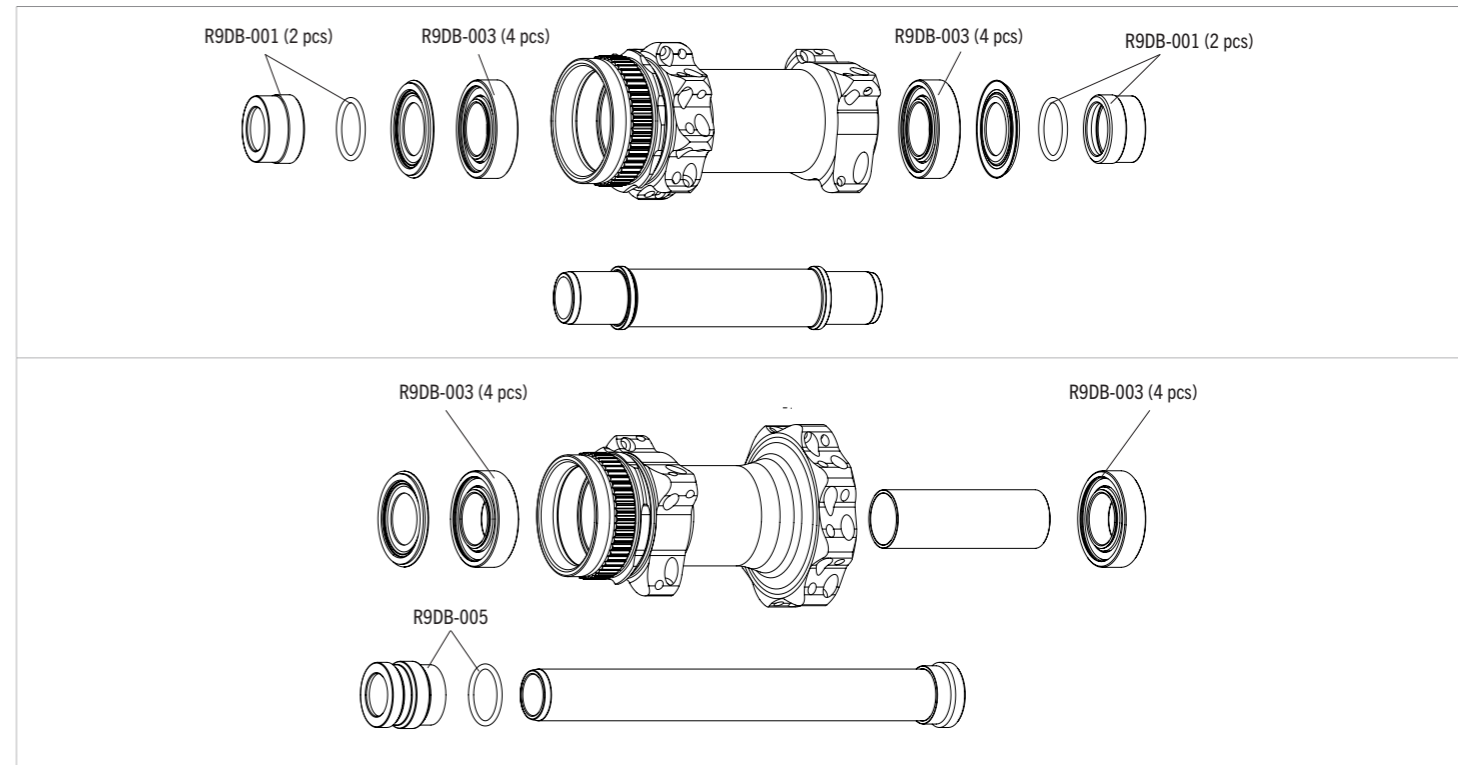
ACCESSORIES

Spacer for HG fw body	RS-004	5 pcs - to be used only with 9/10s sprockets
-----------------------	--------	--

AIRBEAT 550 DB

AFS

HUBS/MOZZI



Complete FW body Ø 33 mm / Corpetti RL completi Ø 33 mm

RO-201 (HG 9/12) - RO-203 (Campy N3W for 13s / buy from Campy adapter AC21-N3W for 11-12s) - RO-202 (XDR)
RO-127 (MICRO SPLINE 12)

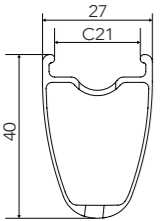
See exploded view pag. 102

AIRBEAT 400 DB

AFS

RIMS & SPOKES/CERCHI E RAGGI

RIM

	TUBELESS TAPE VALVE HOLE DIAMETER	RR-006 (26 mm, L = 5 m) 6,5 mm 622 x 21C
---	---	--

SPOKES

FRONT LH/REAR LH SPOKE L. 279 FRONT RH/REAR RH SPOKE L. 283,5 NIPPLES	AB4-001 AB4-002 50-AB-BBL	4 spokes + 4 nipples + 4 washer + 4 support washer 4 spokes + 4 nipples + 4 washer + 4 support washer 50 pcs + 20 washers + 20 support washer
---	---------------------------------	---

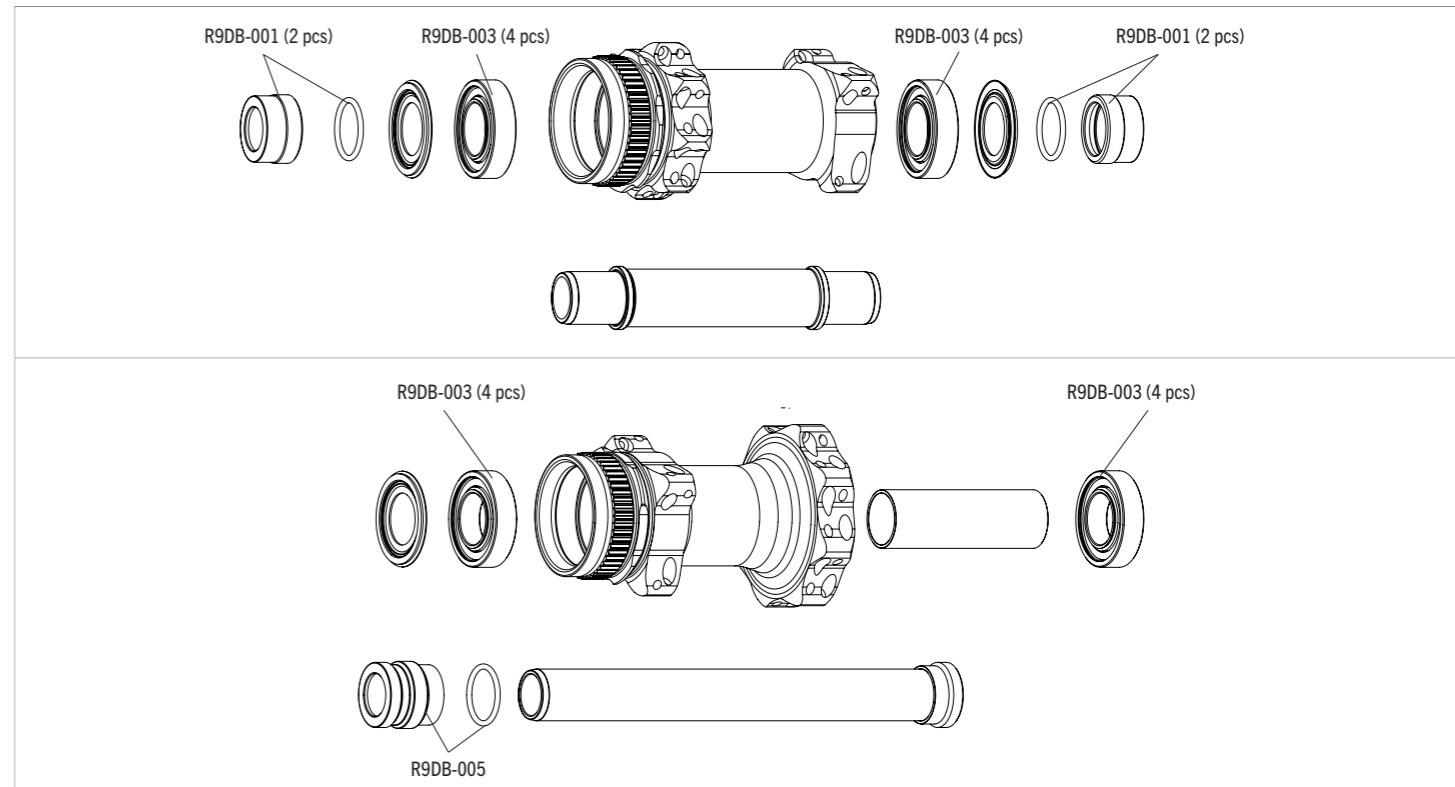
ACCESSORIES

Spacer for HG fw body	RS-004	5 pcs - to be used only with 9/10s sprockets
-----------------------	--------	--

AIRBEAT 400 DB

AFS

HUBS/MOZZI



Complete FW body Ø 33 mm / Corpetti RL completi Ø 33 mm

R0-201 (HG 9/12) - **R0-203** (Campy N3W for 13s / buy from Campy adapter AC21-N3W for 11-12s) - **R0-202** (XDR)
R0-127 (MICRO SPLINE 12)

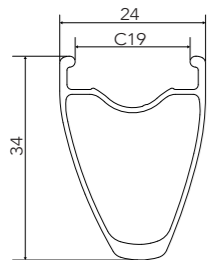
See exploded view pag. 102

RACING 4/400 DB

AFS

RIMS & SPOKES/CERCHI E RAGGI

RIM

	<p>LABEL KIT VALVE HOLE VALVE 2WF-READY TAPE DIAMETER</p>	<p>R4DB-LAB22 (front + rear) – R400DB-LAB22 (front + rear) 6,5 mm M1-044 RR-008 (23 mm, L = 5 m) 622 x 19C</p>
---	---	--

SPOKES

<p>FRONT LH/REAR RH SPOKE L.289 FRONT RH SPOKE L. 285 REAR LH SPOKE L. 284 NIPPLES</p>	<p>R4DB22-016 R4DB22-017 R4DB22-018 R5-B01</p>	<p>4 spokes + 4 nipples 4 spokes + 4 nipples 4 spokes + 4 nipples 50 pcs.</p>
--	--	---

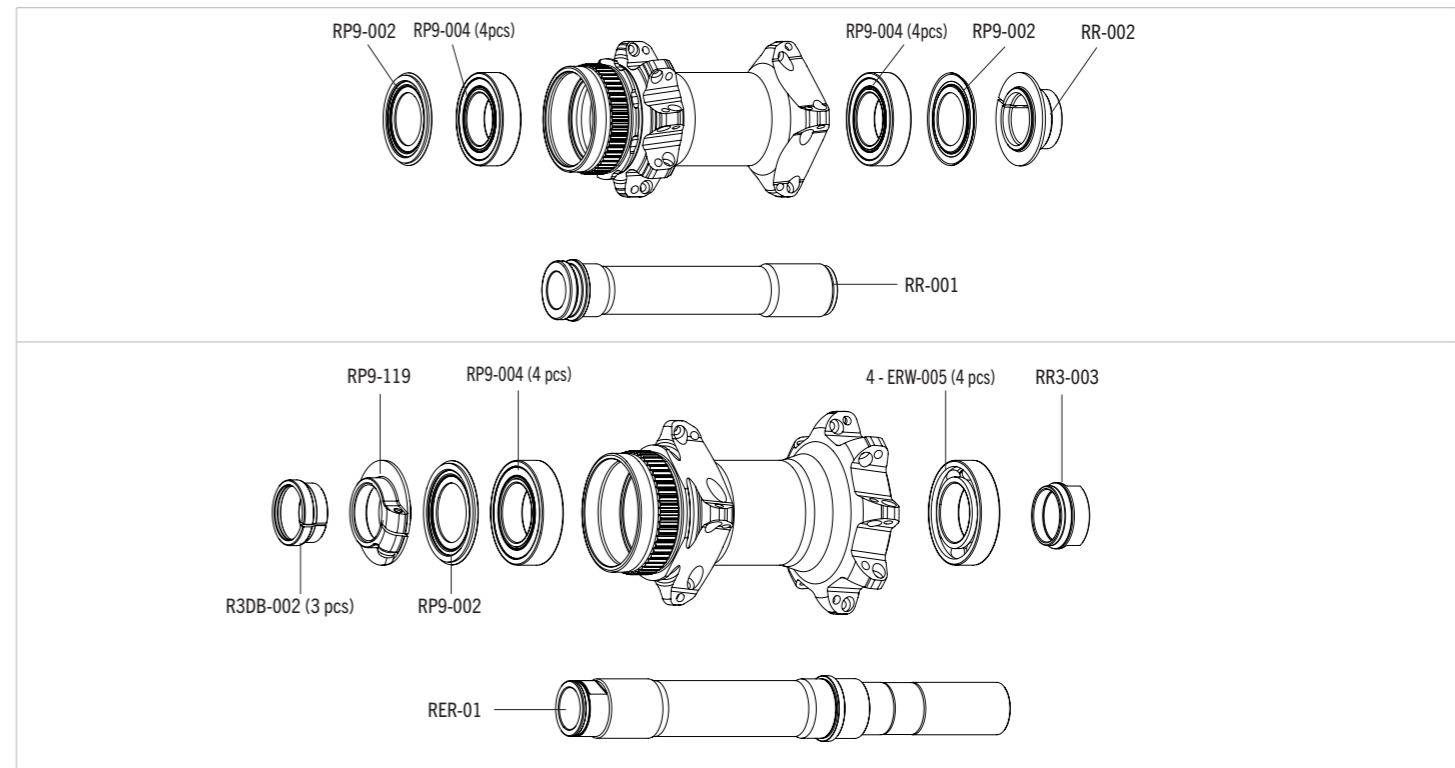
ACCESSORIES

<p>Spacer for HG fw body</p>	<p>RS-004</p>	<p>5 pcs - to be used only with 9/10s sprockets</p>
------------------------------	---------------	---

RACING 4/400 DB

AFS

HUBS/MOZZI



Complete FW body Ø 33 mm / Corpetti RL completi Ø 33 mm

R0-201 (HG 9/12) - R0-203 (Campy N3W for 13s / buy from Campy adapter AC21-N3W for 11-12s) - R0-202 (XDR)
R0-127 (MICRO SPLINE 12)

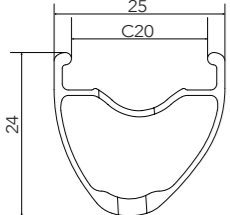
See exploded view pag. 102

RACING 5/500 DB

AFS

RIMS & SPOKES/CERCHI E RAGGI

RIM

	<p>LABEL KIT VALVE HOLE VALVE 2WF-READY TAPE DIAMETER</p>	<p>R5DB-LAB22 (front + rear) – R500DB-LAB22 (front + rear) 6,5 mm M1-044 RR-006 (26 mm, L = 5 m) 622 x 20C</p>
---	---	--

SPOKES

<p>FRONT RH SPOKE L. 289 FRONT LH SPOKE L. 293,5 REAR RH SPOKE L. 292,5 REAR LH SPOKE L. 288 NIPPLES</p>	<p>R5DB22-016 R5DB22-017 R5DB22-018 R5DB22-019 R5-B01</p>	<p>4 spokes + 4 nipples 4 spokes + 4 nipples 4 spokes + 4 nipples 4 spokes + 4 nipples 50 pcs.</p>
--	---	--

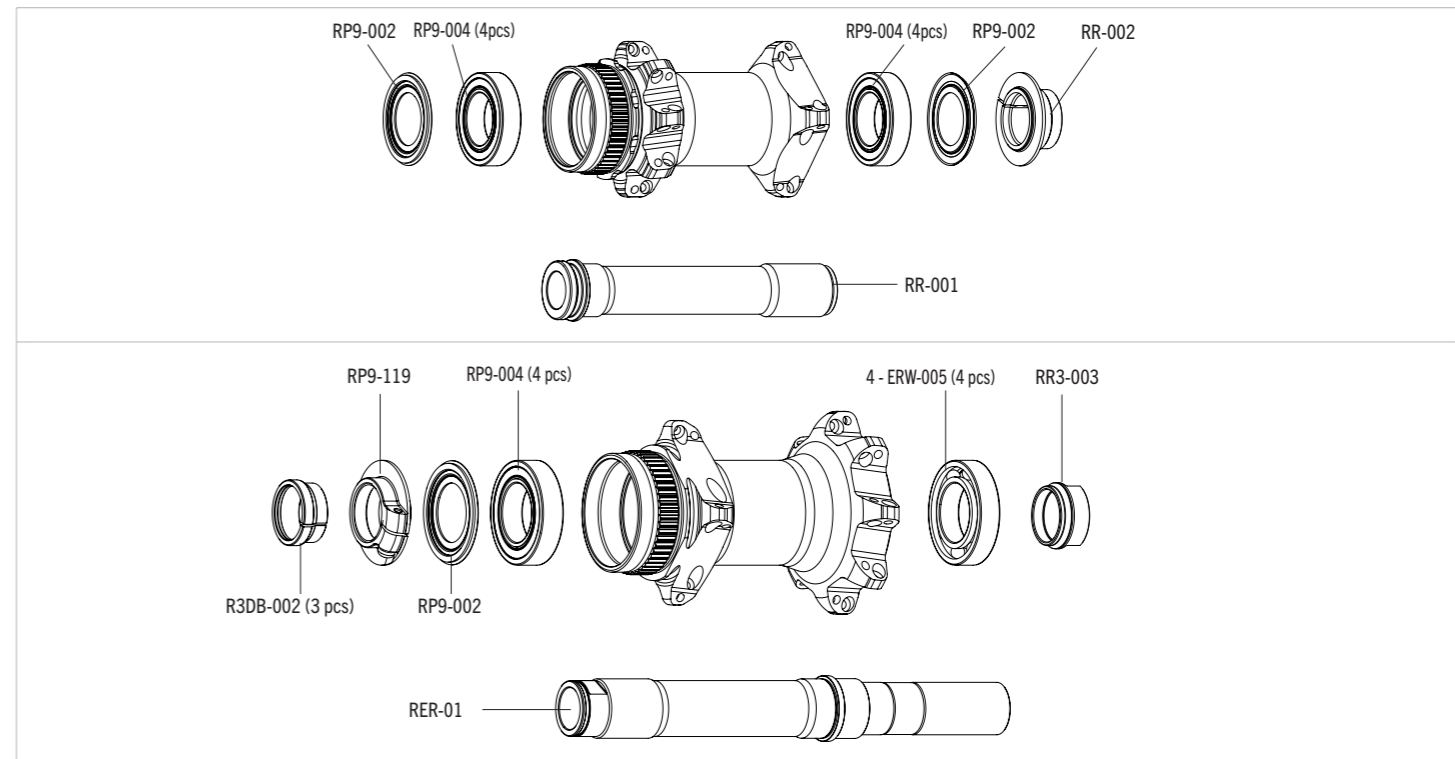
ACCESSORIES

<p>Spacer for HG fw body</p>	<p>RS-004</p>	<p>5 pcs - to be used only with 9/10s sprockets</p>
------------------------------	---------------	---

RACING 5/500 DB

AFS

HUBS/MOZZI



Complete FW body Ø 33 mm / Corpetti RL completi Ø 33 mm

R0-201 (HG 9/12) - **R0-203** (Campy N3W for 13s / buy from Campy adapter AC21-N3W for 11-12s) - **R0-202** (XDR)
R0-127 (MICRO SPLINE 12)

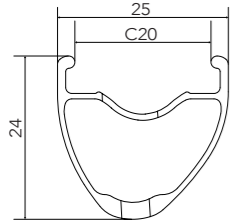
See exploded view pag. 102

RACING 6/600 DB

AFS

RIMS & SPOKES/CERCHI E RAGGI

RIM

	<p>LABEL KIT VALVE HOLE VALVE 2WF-READY TAPE DIAMETER</p>	<p>R6DB-LAB22 (front + rear) – R600DB-LAB22 (front + rear) 6,5 mm M1-044 RR-006 (26 mm, L = 5 m) 622 x 20C</p>
---	---	--

SPOKES

<p>FRONT LH/REAR RH SPOKE L. 294,5 FRONT RH/REAR LH SPOKE L. 290 NIPPLES</p>	<p>R6DB22-016 R6DB22-017 R5-B01</p>	<p>4 spokes + 4 nipples 4 spokes + 4 nipples 50 pcs</p>
--	---	---

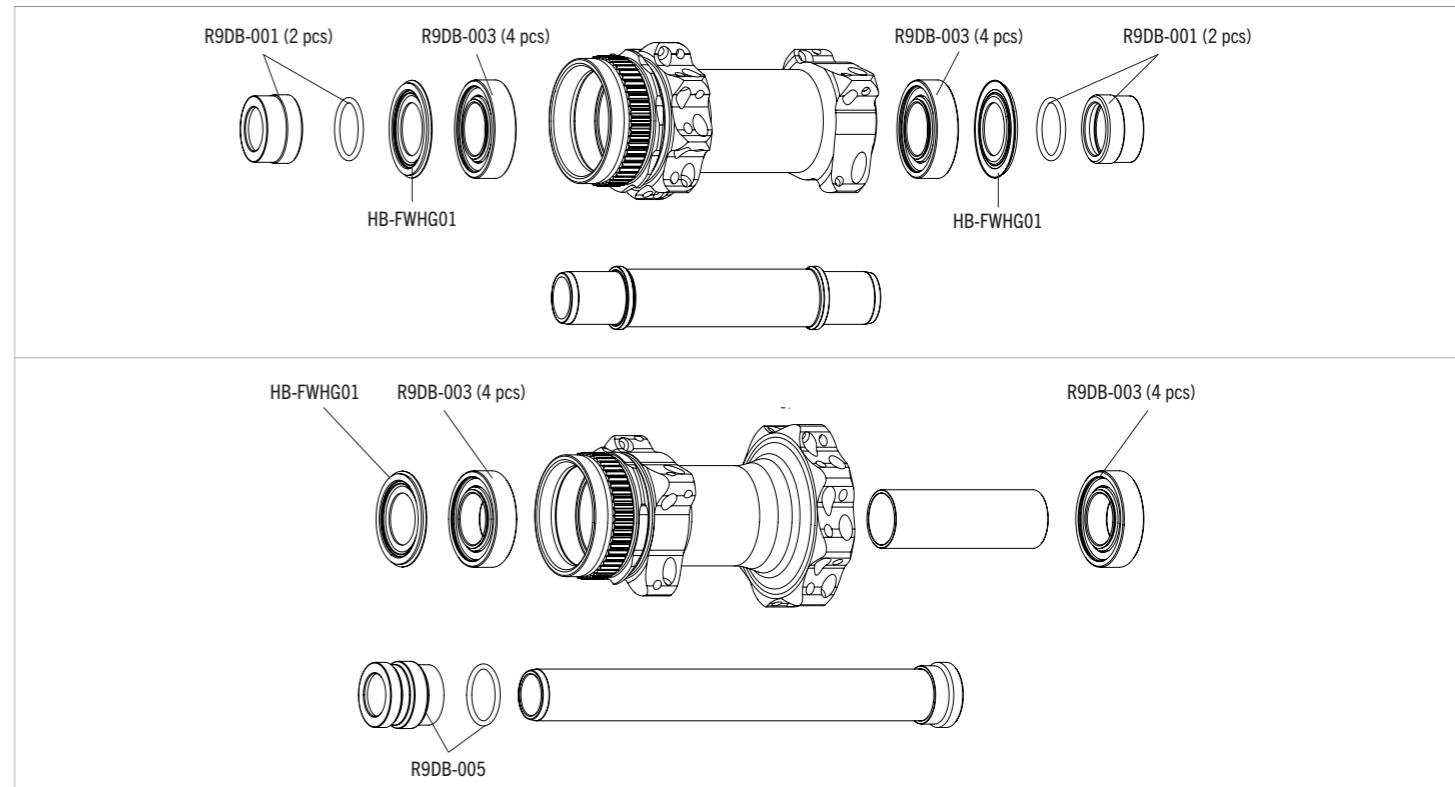
ACCESSORIES

<p>Spacer for HG fw body</p>	<p>RS-004</p>	<p>5 pcs - to be used only with 9/10s sprockets</p>
------------------------------	---------------	---

RACING 6/600 DB

AFS

HUBS/MOZZI



Complete FW body Ø 33 mm /
Corpetti RL completi Ø 33 mm

R0-201 (HG 9/12) - **R0-203** (Campy N3W for 13s / buy from Campy adapter AC21-N3W for 11-12s) - **R0-202** (XDR)
R0-127 (MICRO SPLINE 12)

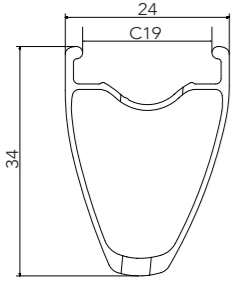
See exploded view pag. 102

RACING 800 DB

AFS

RIMS & SPOKES/CERCHI E RAGGI

RIM

	VALVE HOLE DIAMETER	6,5 mm 622 X 19C
---	---------------------	---------------------

SPOKES

FRONT LH SPOKE L. 272.5	R8DB-016	4 spokes + 4 nipples
FRONT RH SPOKE L. 265	R8DB-017	4 spokes + 4 nipples
REAR RIGHT SPOKE L. 269.5	R8DB-018	4 spokes + 4 nipples
REAR LEFT SPOKE L. 260.5	R8DB-019	4 spokes + 4 nipples
NIPPLES	50-R8-016BR	50 pcs

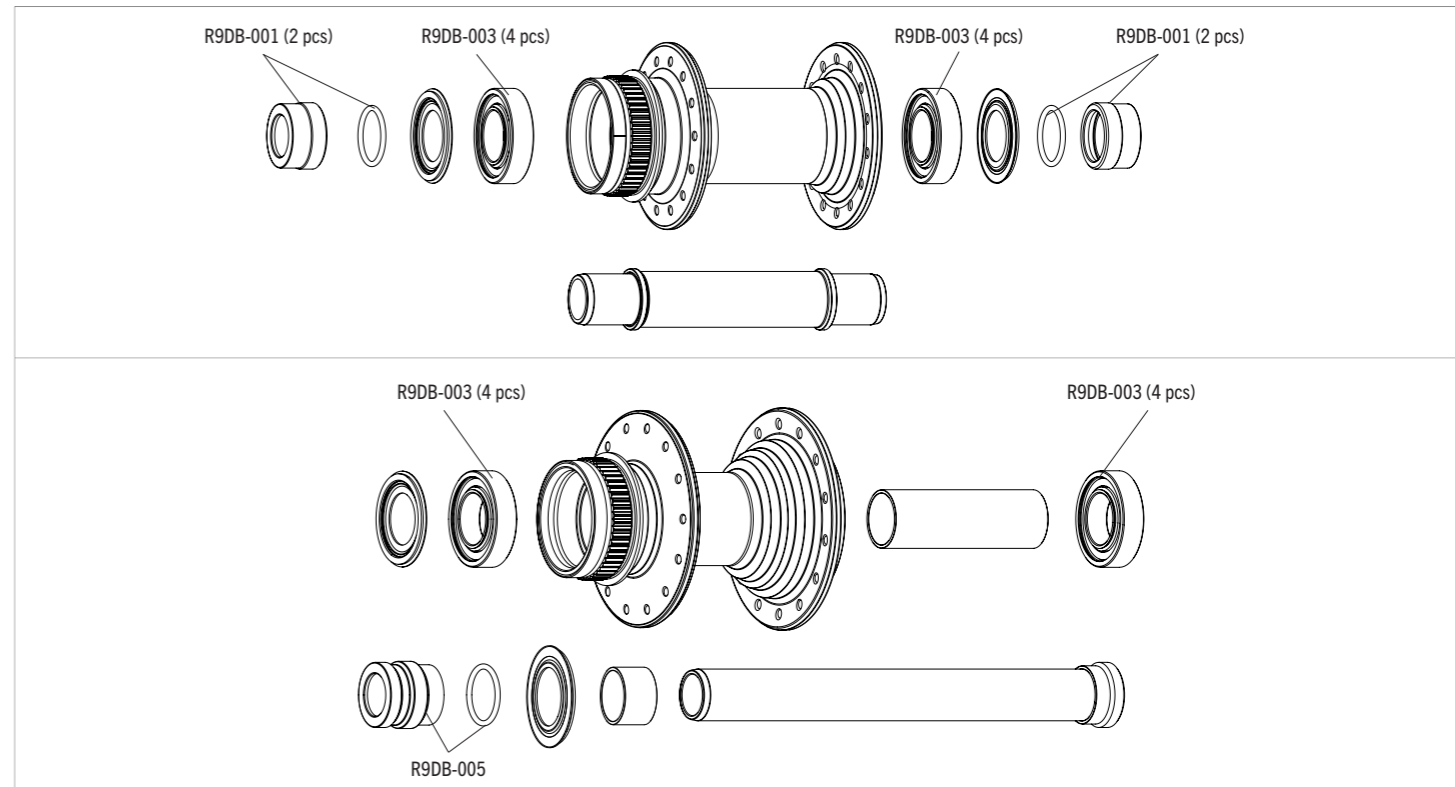
ACCESSORIES

Spacer for HG fw body	RS-004	5 pcs - to be used only with 9/10s sprocket
-----------------------	--------	---

RACING 800 DB

AFS

HUBS/MOZZI



Complete FW body Ø 33 mm /
Corpetti RL completi Ø 33 mm

R0-201 (HG 9/12) - R0-203 (Campy N3W for 13s / buy from Campy adapter AC21-N3W for 11-12s) -
R0-202 (XDR) - [R0-127 \(MICRO SPLINE 12\)](#)

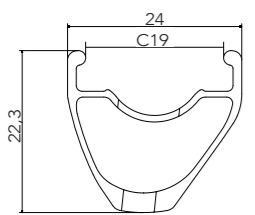
See exploded view pag. 102

RACING 900B DB

AFS

RIMS & SPOKES/CERCHI E RAGGI

RIM

	VALVE HOLE DIAMETER	6,5 mm 27,5" X 19C
---	---------------------	-----------------------

SPOKES

FRONT LH SPOKE L. 265	R96BDB-016	4 spokes + 4 nipples
FRONT RH SPOKE L. 258	R96BDB-017	4 spokes + 4 nipples
REAR RIGHT SPOKE L. 263	R96BDB-018	4 spokes + 4 nipples
REAR LEFT SPOKE L. 253	R96BDB-019	4 spokes + 4 nipples
NIPPLES	50-R3-N	50 pcs

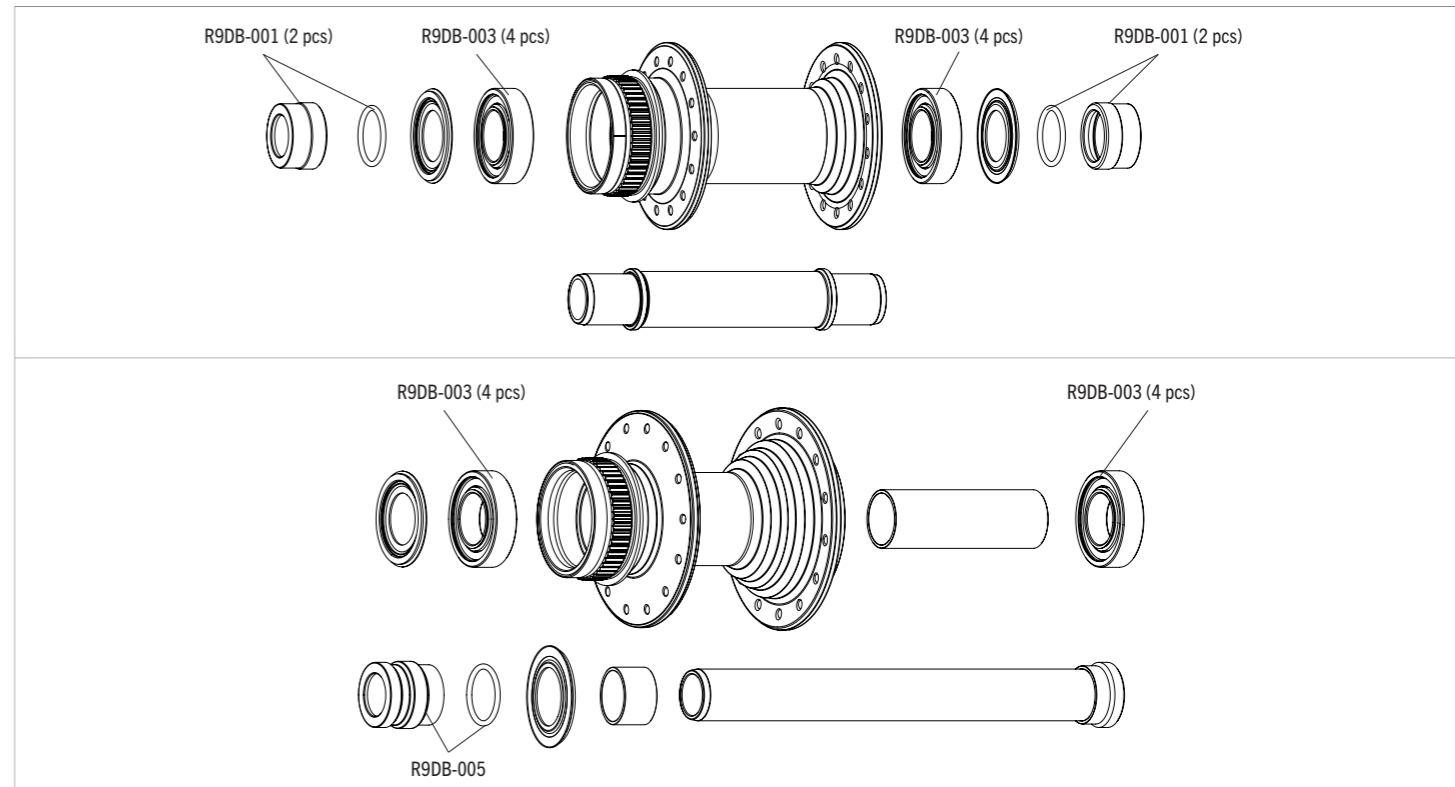
ACCESSORIES

Spacer for HG fw body	RS-004	5 pcs - to be used only with 9/10s sprockets
-----------------------	--------	--

RACING 900B DB

AFS

HUBS/MOZZI



Complete FW body Ø 33 mm /
Corpetti RL completi Ø 33 mm

R0-201 (HG 9/12) - R0-203 (Campy N3W for 13s / buy from Campy adapter AC21-N3W for 11-12s) - R0-202 (XDR)
[R0-127 \(MICRO SPLINE 12\)](#)

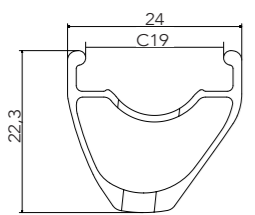
See exploded view pag. 102

RACING 900 DB

AFS

RIMS & SPOKES/CERCHI E RAGGI

RIM

	VALVE HOLE DIAMETER	6,5 mm 622 X 19C
---	---------------------	---------------------

SPOKES

FRONT LH SPOKE L. 284.5	R9DB-016	4 spokes + 4 nipples
FRONT RH SPOKE L. 277	R9DB-017	4 spokes + 4 nipples
REAR RIGHT SPOKE L. 281.5	R9DB-018	4 spokes + 4 nipples
REAR LEFT SPOKE L. 272.5	R9DB-019	4 spokes + 4 nipples
NIPPLES	50-R3-N	50 pcs

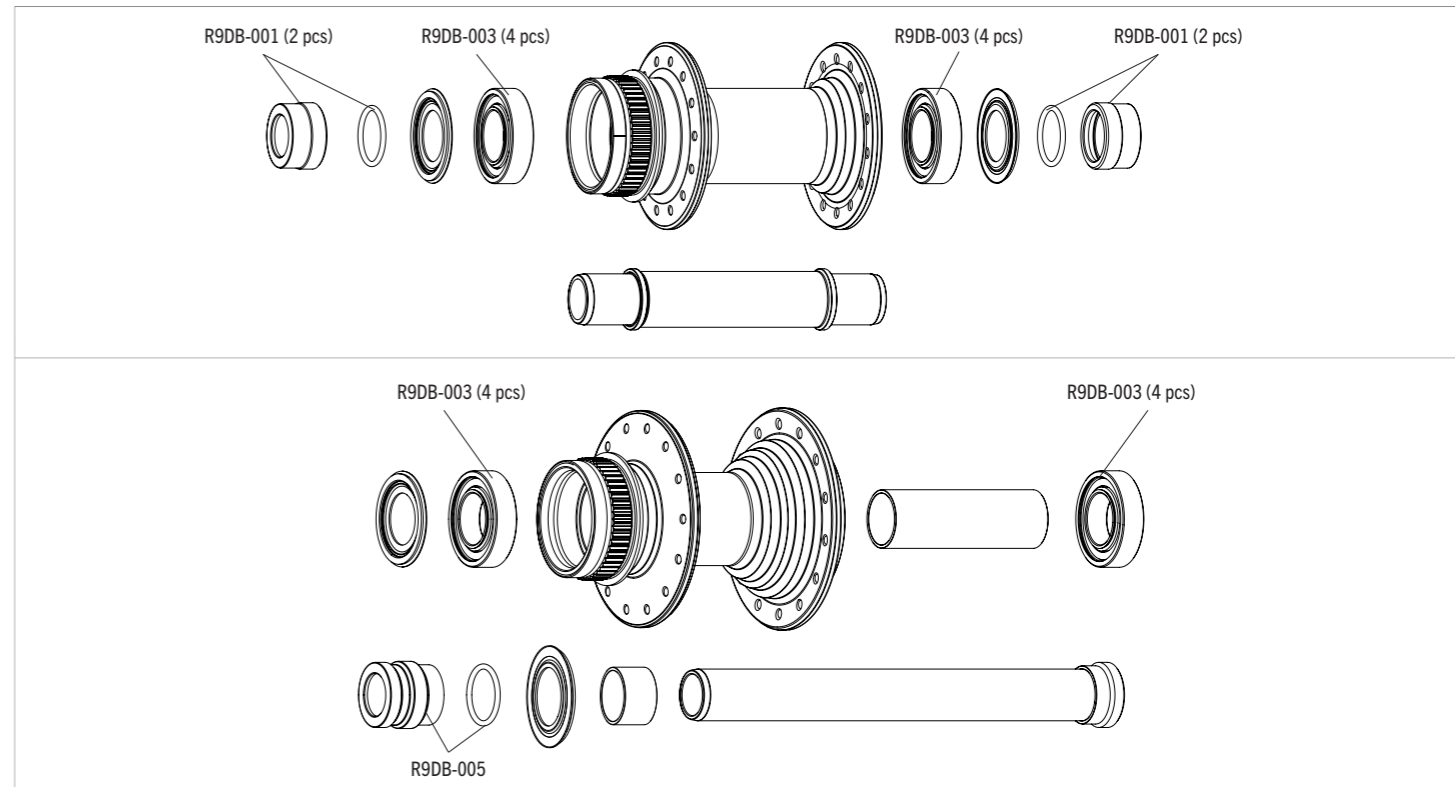
ACCESSORIES

Spacer for HG fw body	RS-004	5 pcs - to be used only with 9/10s sprockets
-----------------------	--------	--

RACING 900 DB

AFS

HUBS/MOZZI



Complete FW body Ø 33 mm /
Corpetti RL completi Ø 33 mm

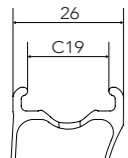
R0-201 (HG 9/12) - R0-203 (Campy N3W for 13s / buy from Campy adapter AC21-N3W for 11-12s) - R0-202 (XDR)
R0-127 (MICRO SPLINE 12)

See exploded view pag. 102

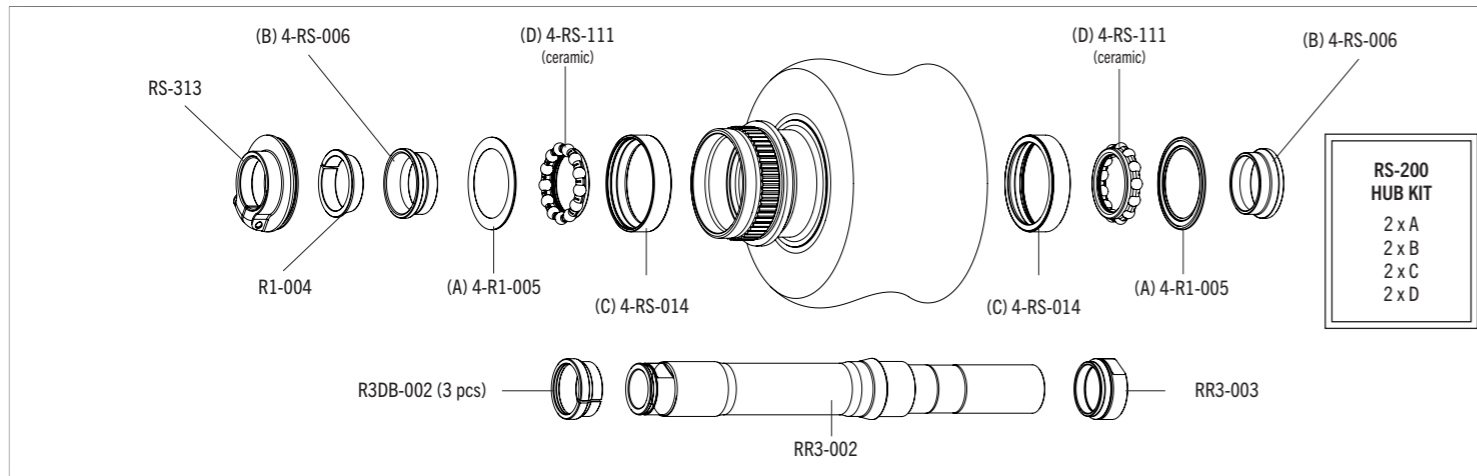
SPEED 360 DB 2WF

RIM & HUB / CERCHIO E MOZZO

RIM

	<p>LABEL FOR VALVE HOLE VALVE HOLE BUSHINGS VALVE 2WF-READY TAPE DIAMETER</p>	<p>RC-100 (5 pcs) RWX-014 (5 pcs) M1-055 RR-008 (23 mm, L = 5 m) 622 x 19C</p>
---	---	--

HUB



Complete FW body Ø 33 mm / Corpetti RL completi Ø 33 mm R0-201 (HG 9/11) - R0-203 (Campy N3W for 13s / buy from Campy adapter AC21-N3W for 11-12s) - R0-202 (XDR) See exploded view pag. 102

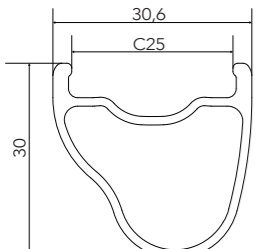
To the N3W f.w. body, to be compatible with 11-12s, you need: N3W adapter + lockring (CS-702): AC21-N3W (buy it from Campagnolo srl); Corpetto r.l. N3W, per essere compatibile 11-12s, serve: adattatore N3W + ghiera (CS-702): AC21-N3W (acquistabile da Campagnolo srl)

RAPID RED CARBON

AFS
front: 12mm ta
rear: 12mm ta 142

RIMS & SPOKES/CERCHI E RAGGI

RIM

	<p>FRONT / REAR RIM VALVE HOLE BUSHING VALVE DIAMETER</p>	<p>RRC-FR22 (with labels) RWX-014 (5 pcs) M1-044 29</p>
---	---	---

SPOKES

COMPLETE FRONT/REAR LEFT SPOKE L. 292,5	RRC-016	4 spokes + 4 nipples
COMPLETE REAR RIGHT SPOKE L. 291	RRC-017	4 spokes + 4 nipples
NIPPLES	50-RZ3-ABSL	50 pcs.

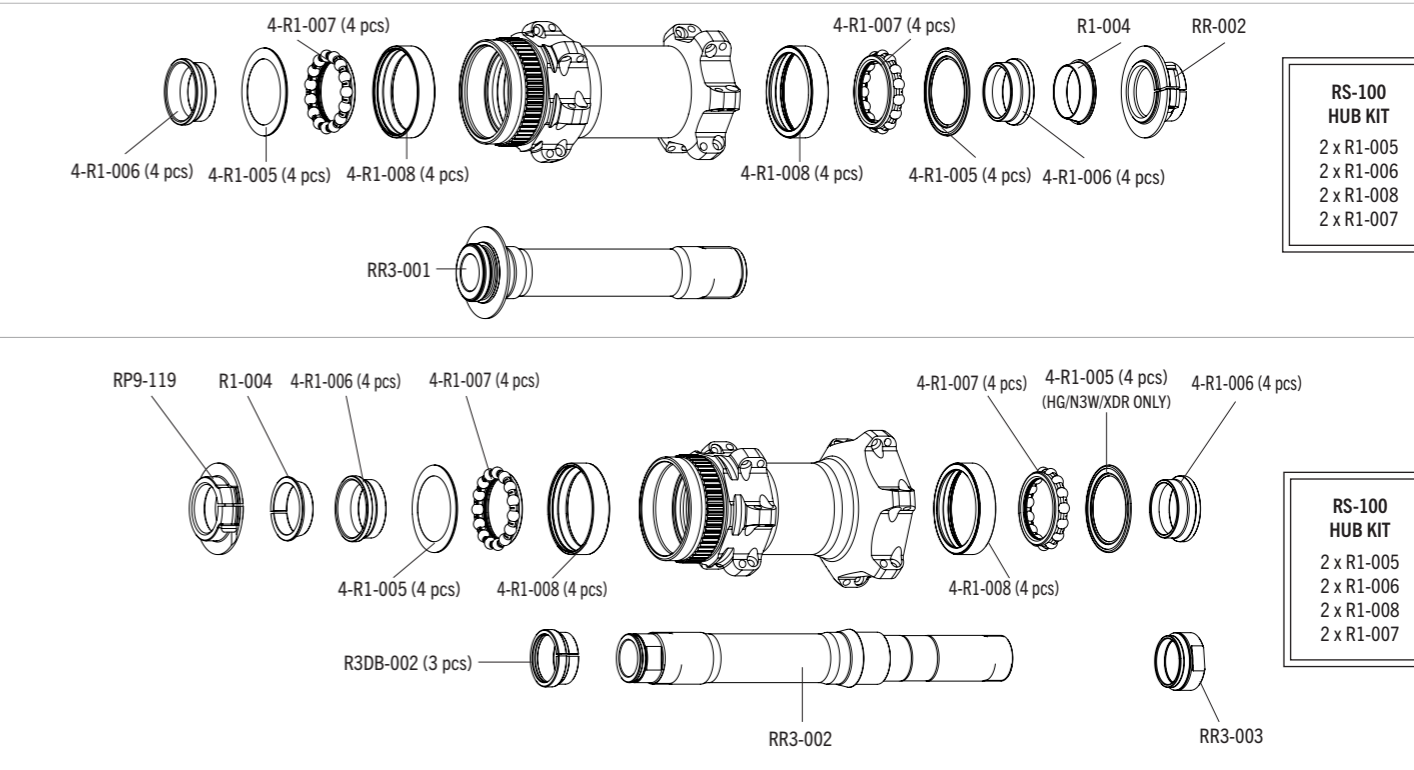
ACCESSORIES

Spacer for HG fw body	RS-004	5 pcs - to be used only with 9/10s sprockets
-----------------------	--------	--

RAPID RED CARBON

AFS
front: 12mm ta
rear: 12mm ta 142

HUBS/MOZZI



**RS-100
HUB KIT**
2 x R1-005
2 x R1-006
2 x R1-008
2 x R1-007

**RS-100
HUB KIT**
2 x R1-005
2 x R1-006
2 x R1-008
2 x R1-007

Complete FW body Ø 33 mm /
Corpetti RL completi Ø 33 mm

R0-201 (HG 9/12) - R0-203 (Campy N3W for 13s / buy from Campy adapter AC21-N3W for 11-12s) - R0-202 (XDR)
R0-127 (MICRO SPLINE 12)

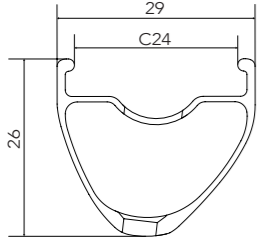
See exploded view pag. 102

RAPID RED 3 / 300 650B

AFS
front: 12mm ta
rear: 12mm ta 142

RIMS & SPOKES/CERCHI E RAGGI

RIM

	<p>LABEL KIT VALVE HOLE 2WF-READY TAPE DIAMETER</p>	<p>RR-LAB20273 (front+rear Rapid Red 3 650B DB) - RR-LAB2027300 (front+rear Rapid Red 300 650B DB) 7,5 mm RR-007 (L=5 m - W=28 mm) 27,5 2WF-Ready</p>
---	---	---

SPOKES

FRONT RIGHT L=270 mm	RR327-017	4 spokes + 4 nipples
FRONT LEFT/REAR RIGHT L=276,5 mm	RR327-016	4 spokes + 4 nipples
REAR LEFT L=272 mm	RR327-019	4 spokes + 4 nipples
NIPPLES	50-EMF-015ALB	50 pcs.

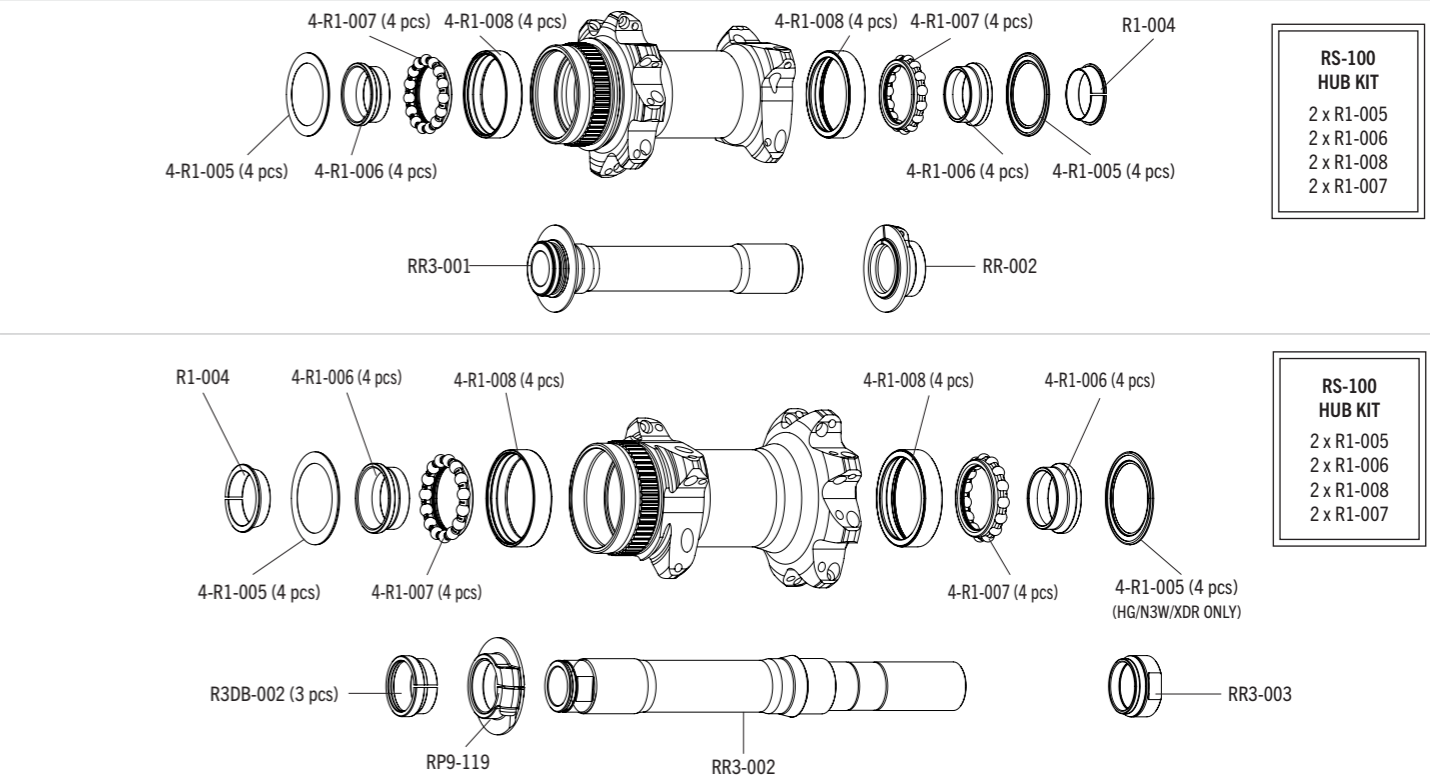
ACCESSORIES

Spacer for HG fw body	RS-004	5 pcs - to be used only with 9/10s sprockets
-----------------------	--------	--

RAPID RED 3 / 300 650B

AFS
front: 12mm ta
rear: 12mm ta 142

HUBS/MOZZI



RS-100 HUB KIT
2 x R1-005
2 x R1-006
2 x R1-008
2 x R1-007

RS-100 HUB KIT
2 x R1-005
2 x R1-006
2 x R1-008
2 x R1-007

Complete FW body Ø 33 mm /
Corpetti RL completi Ø 33 mm

R0-201 (HG 9/12) - **R0-203** (Campy N3W for 13s / buy from Campy adapter AC21-N3W for 11-12s) - **R0-202** (XDR)
R0-127 (MICRO SPLINE 12)

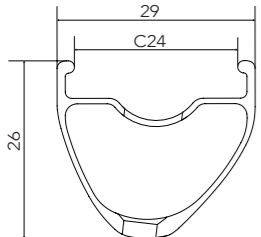
See exploded view pag. 102

RAPID RED 3 / 300 700c

AFS
front: 12mm ta
rear: 12mm ta 142

RIMS & SPOKES/CERCHI E RAGGI

RIM

	<p>LABEL KIT VALVE HOLE 2WF-READY TAPE DIAMETER</p>	<p>RR-LAB20293 (front+rear Rapid Red 3) - RR-LAB2029300 (front+rear Rapid Red 300) 7,5 mm RR-007 (L=5 m - W=28 mm) 29 2WF-Ready</p>
---	---	---

SPOKES

FRONT RIGHT L=289 mm	RR329-017	4 spokes + 4 nipples
FRONT LEFT/REAR RIGHT L=295,5 mm	RR329-016	4 spokes + 4 nipples
REAR LEFT L=291,5 mm	RR329-019	4 spokes + 4 nipples
NIPPLES	50-EMF-015ALB	50 pcs.

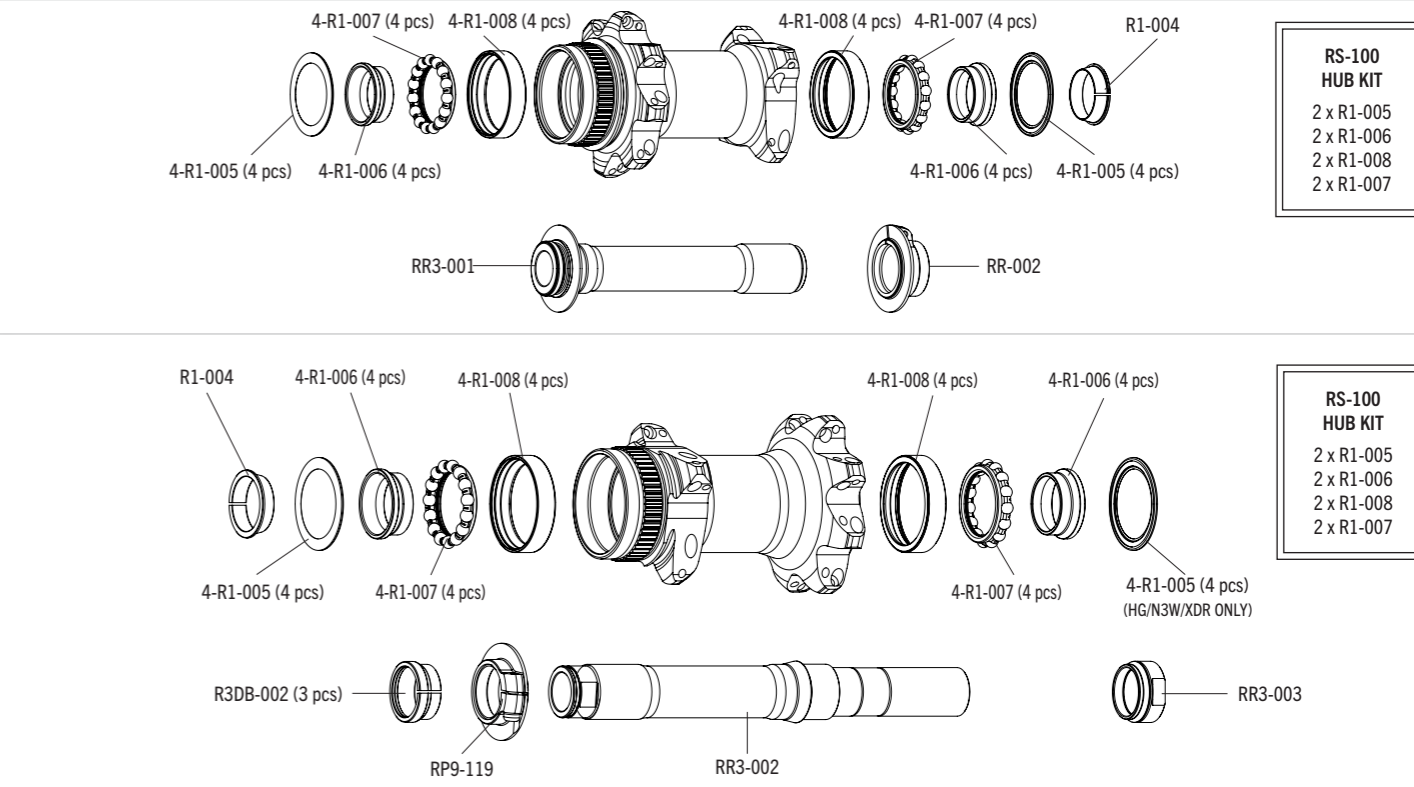
ACCESSORIES

Spacer for HG fw body	RS-004	5 pcs - to be used only with 9/10s sprockets

RAPID RED 3 / 300 700c

AFS
front: 12mm ta
rear: 12mm ta 142

HUBS/MOZZI



RS-100 HUB KIT
2 x R1-005
2 x R1-006
2 x R1-008
2 x R1-007

RS-100 HUB KIT
2 x R1-005
2 x R1-006
2 x R1-008
2 x R1-007

Labels in diagrams: 4-R1-007 (4 pcs), 4-R1-008 (4 pcs), 4-R1-005 (4 pcs), 4-R1-006 (4 pcs), R1-004, RR3-001, RR-002, R3DB-002 (3 pcs), RP9-119, RR3-002, RR3-003, 4-R1-006 (4 pcs), 4-R1-008 (4 pcs), 4-R1-007 (4 pcs), 4-R1-005 (4 pcs) (HG/N3W/XDR ONLY).

Complete FW body Ø 33 mm /
Corpetti RL completi Ø 33 mm

R0-201 (HG 9/12) - **R0-203** (Campy N3W for 13s / buy from Campy adapter AC21-N3W for 11-12s) - **R0-202** (XDR)
R0-127 (MICRO SPLINE 12)

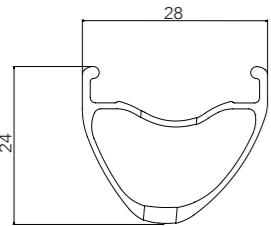
See exploded view pag. 102

RAPID RED 5 650B (∅ 30 mm FW body)

AFS/HG11 - XDR
front: 12mm ta
rear: 12mm ta 142

RIMS & SPOKES/CERCHI E RAGGI

RIM

	<p>LABEL KIT VALVE HOLE 2WF-READY TAPE DIAMETER</p>	<p>RR-LAB19275 (front+rear Rapid Red 5 650B) 7,5 mm RR-007 (5 m) 27,5 2WF-Ready</p>
---	---	---

SPOKES

COMPLETE FRONT RH / REAR LH SPOKE 271,5	RR-016	4 spokes + 4 nipples
COMPLETE FRONT LH / REAR RH SPOKE 276	RR-017	4 spokes + 4 nipples
NIPPLES	R5-B01	50 pcs.

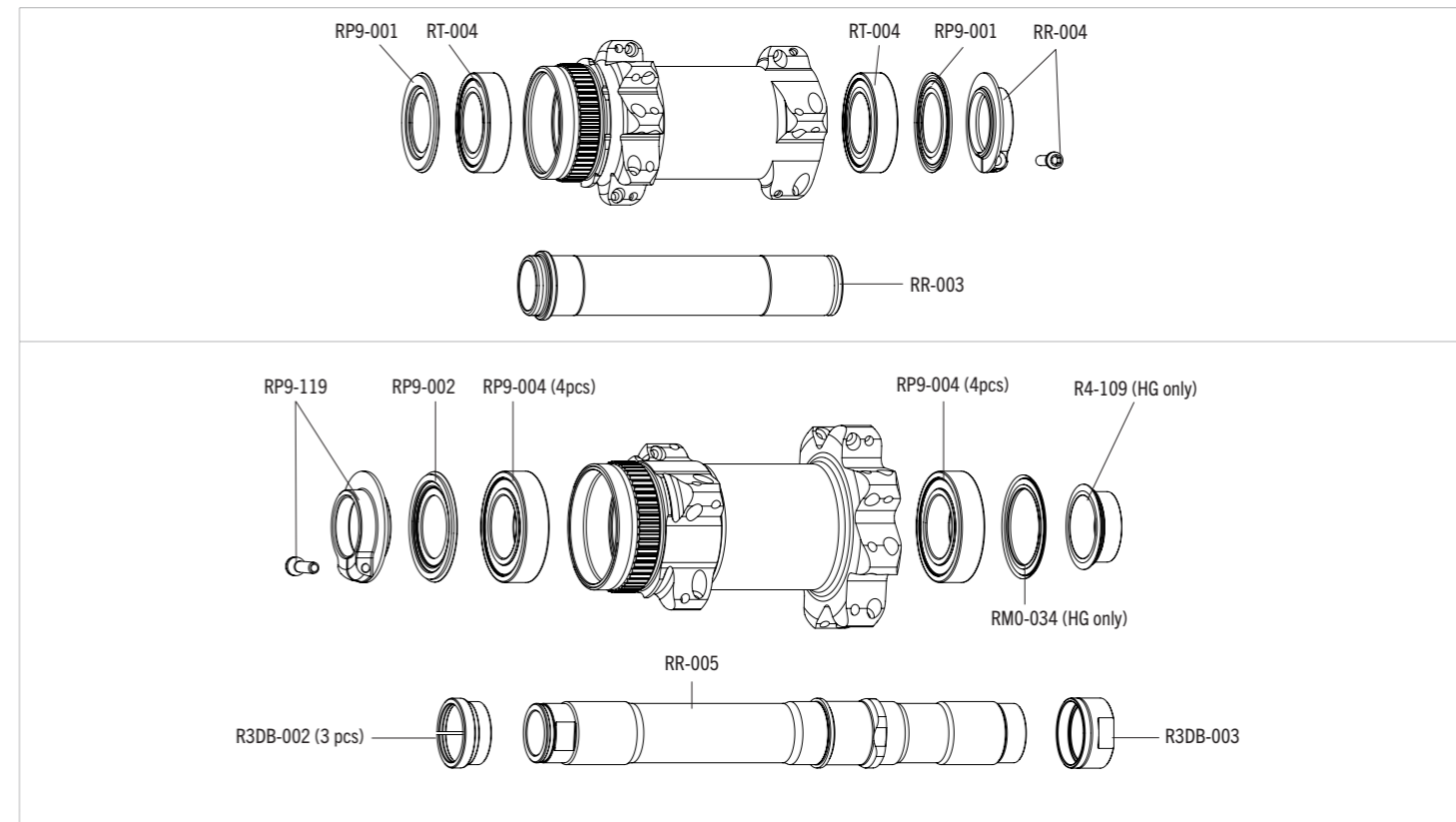
ACCESSORIES

Spacer for HG fw body	RS-004	5 pcs - to be used only with 9/10s sprockets
-----------------------	--------	--

RAPID RED 5 650B (∅ 30 mm FW body)

AFS/HG11 - XDR
front: 12mm ta
rear: 12mm ta 142

HUBS/MOZZI



Complete FW body / Corpetti RL completi

R0-113 (HG 9/12) - R0-126 (XDR V2)

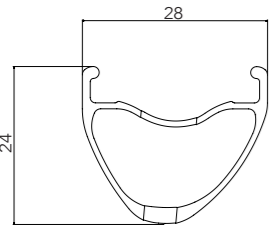
See exploded view pag. 102

RAPID RED 5 650B (∅ 30 mm FW body)

AFS/N3W
front: 12mm ta
rear: 12mm ta 142

RIMS & SPOKES/CERCHI E RAGGI

RIM

	<p>LABEL KIT VALVE HOLE 2WF-READY TAPE DIAMETER</p>	<p>RR-LAB19275 (front+rear Rapid Red 5 650B) 7,5 mm RR-007 (5 m) 27,5 2WF-Ready</p>
---	---	---

SPOKES

COMPLETE FRONT RH / REAR LH SPOKE 271,5	RR-016	4 spokes + 4 nipples
COMPLETE FRONT LH / REAR RH SPOKE 276	RR-017	4 spokes + 4 nipples
NIPPLES	R5-B01	50 pcs.

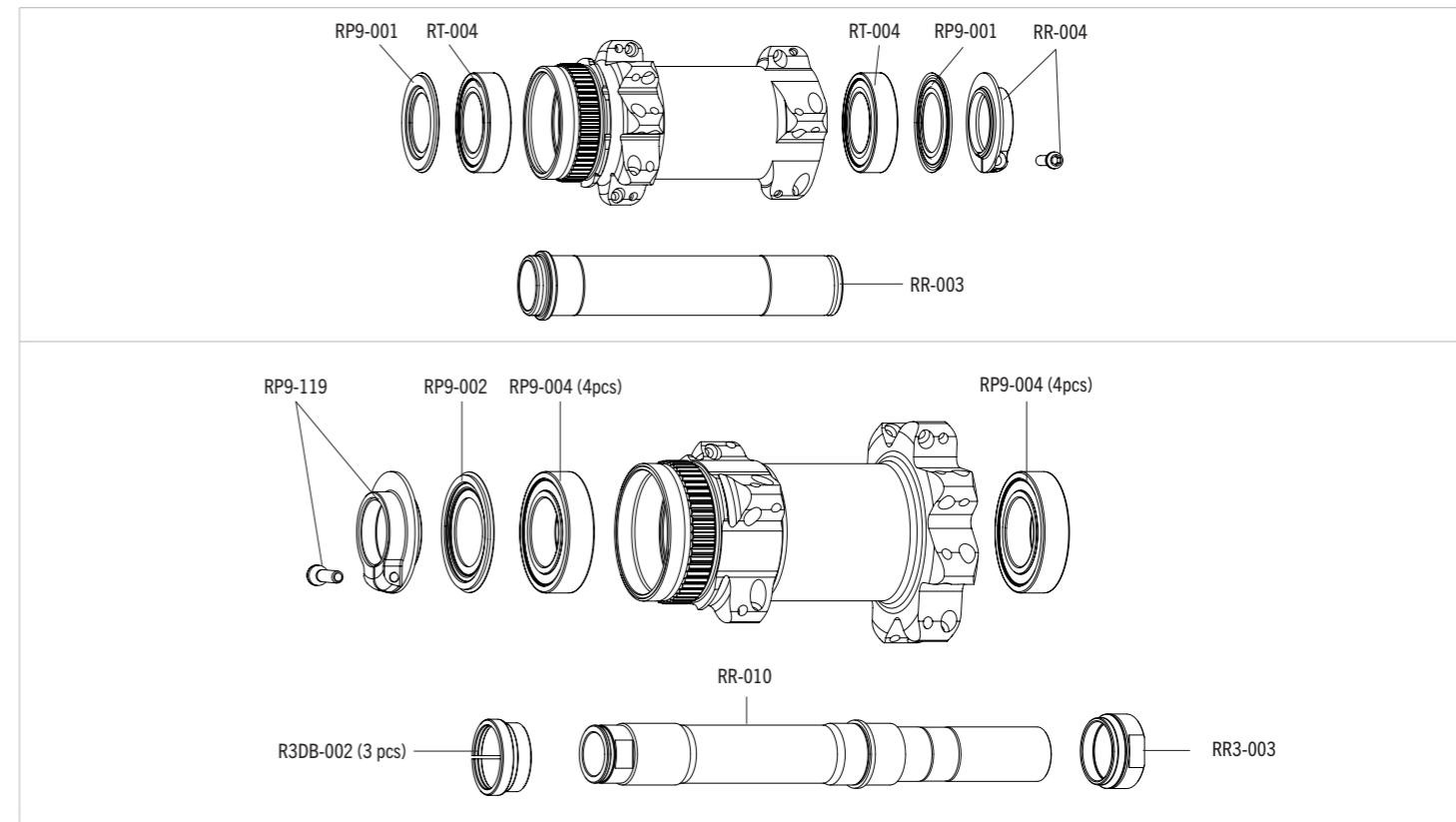
ACCESSORIES

Spacer for HG fw body	RS-004	5 pcs - to be used only with 9/10s sprockets
-----------------------	--------	--

RAPID RED 5 650B (∅ 30 mm FW body)

AFS/N3W
front: 12mm ta
rear: 12mm ta 142

HUBS/MOZZI



FW body d.30 mm/Corpetto RL completo

R0-204 (Campy N3W for 13s)

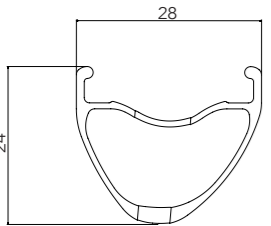
See exploded view pag. 102

RAPID RED 500 650B (∅ 30 mm FW body)

AFS/HG11 - XDR
front: 12mm ta
rear: 12mm ta 142

RIMS & SPOKES/CERCHI E RAGGI

RIM

	<p>LABEL KIT VALVE HOLE 2WF-READY TAPE DIAMETER</p>	<p>RR-LAB1927500 (front+rear Rapid Red 500 650B) 7,5 mm RR-007 (5 m) 27,5 2WF-Ready</p>
---	---	---

SPOKES

COMPLETE FRONT RH / REAR LH SPOKE 271,5	RR-016	4 spokes + 4 nipples
COMPLETE FRONT LH / REAR RH SPOKE 276	RR-017	4 spokes + 4 nipples
NIPPLES	R5-B01	50 pcs.

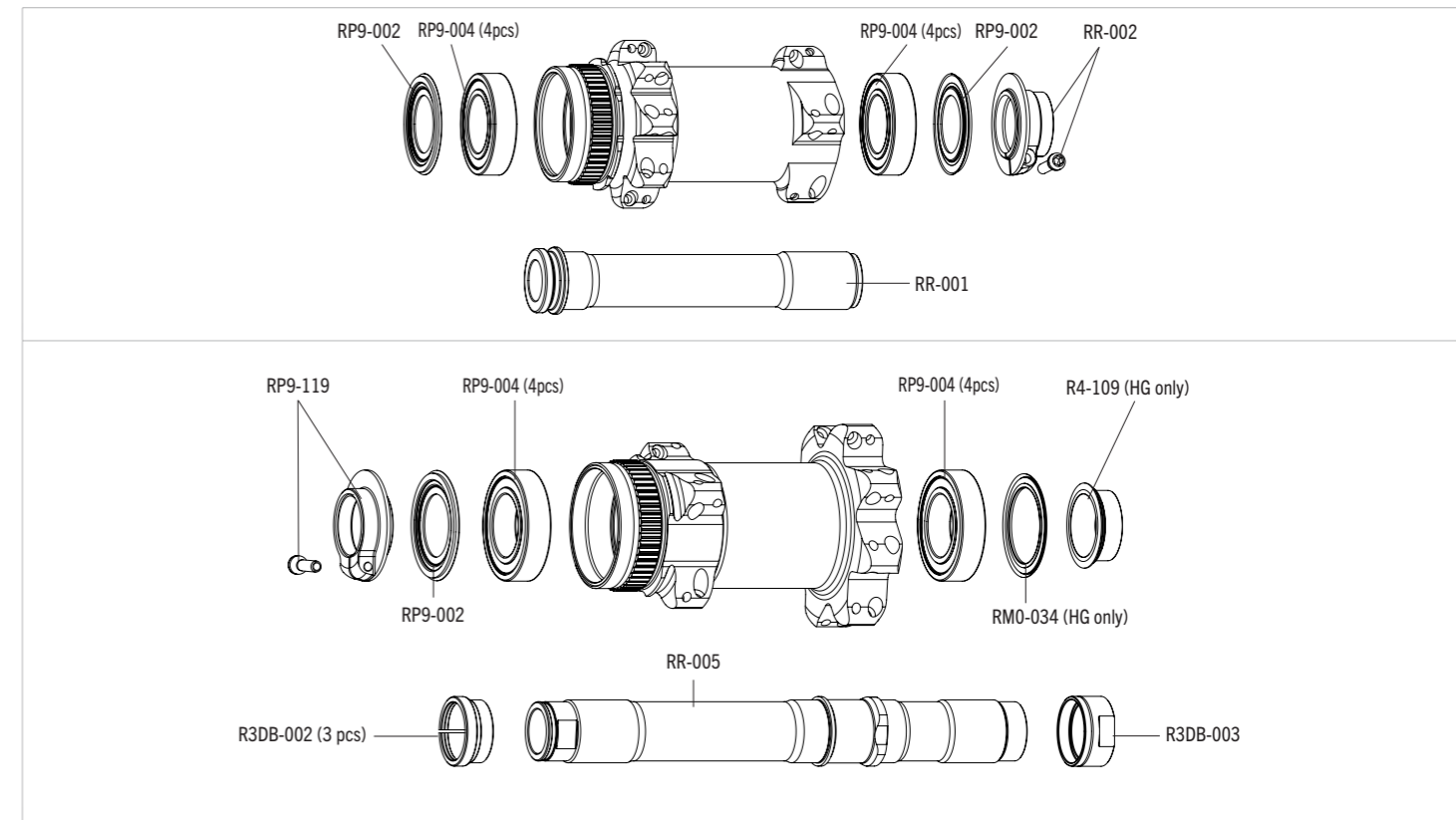
ACCESSORIES

Spacer for HG fw body	RS-004	5 pcs - to be used only with 9/10s sprockets
-----------------------	--------	--

RAPID RED 500 650B (∅ 30 mm FW body)

AFS/HG11 - XDR
front: 12mm ta
rear: 12mm ta 142

HUBS/MOZZI



Complete FW body / Corpetti RL completi

R0-113 (HG 9/12) - R0-126 (XDR V2)

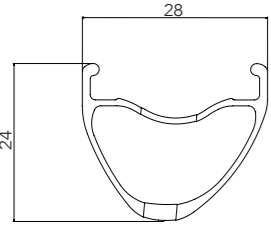
See exploded view pag. 102

RAPID RED 500 650B (∅ 30 mm FW body)

AFS/N3W
front: 12mm ta
rear: 12mm ta 142

RIMS & SPOKES/CERCHI E RAGGI

RIM

	<p>LABEL KIT VALVE HOLE 2WF-READY TAPE DIAMETER</p>	<p>RR-LAB1927500 (front+rear Rapid Red 500 650B) 7,5 mm RR-007 (5 m) 27,5 2WF-Ready</p>
---	---	---

SPOKES

COMPLETE FRONT RH / REAR LH SPOKE 271,5	RR-016	4 spokes + 4 nipples
COMPLETE FRONT LH / REAR RH SPOKE 276	RR-017	4 spokes + 4 nipples
NIPPLES	R5-B01	50 pcs.

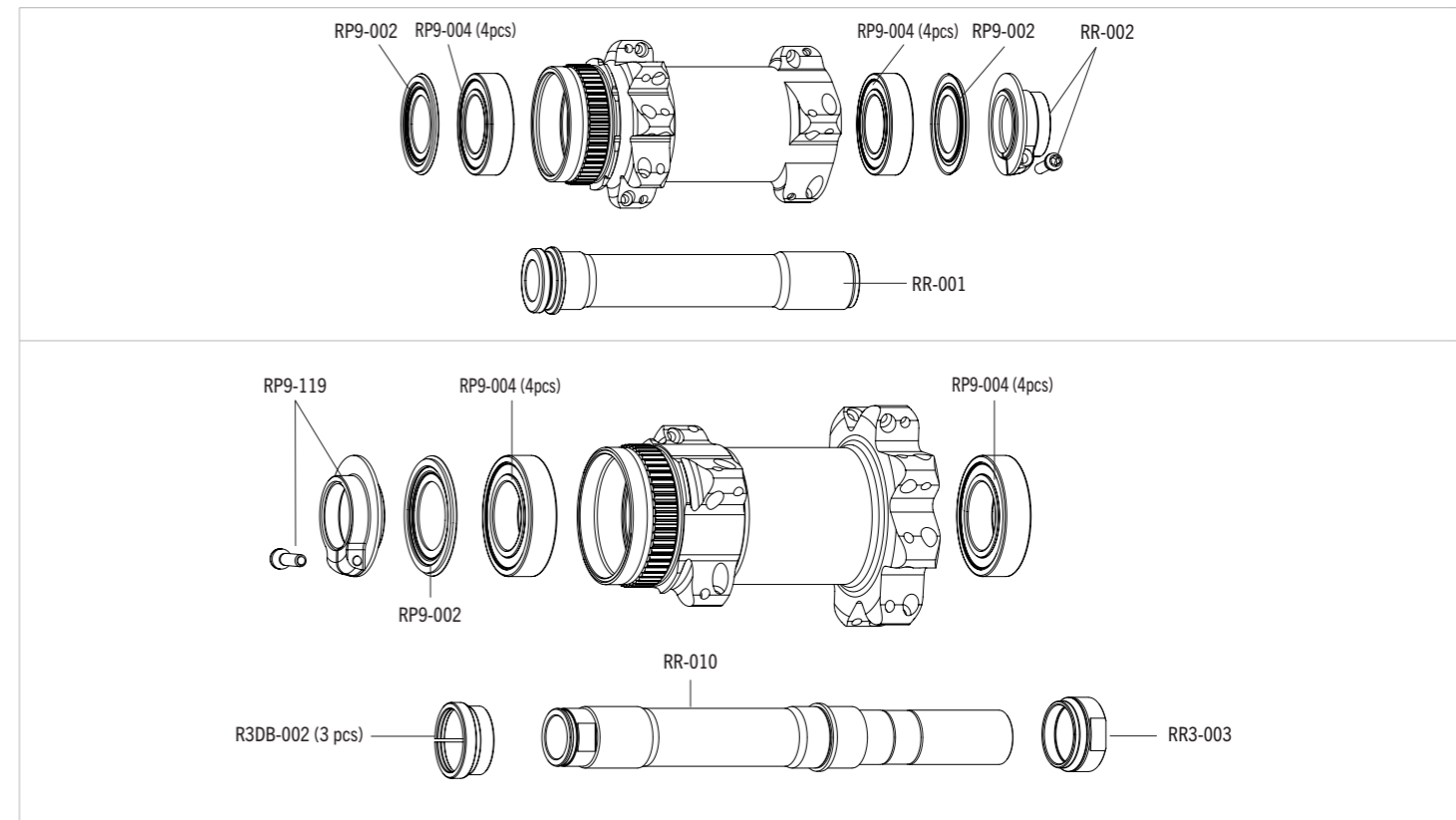
ACCESSORIES

Spacer for HG fw body	RS-004	5 pcs - to be used only with 9/10s sprockets
-----------------------	--------	--

RAPID RED 500 650B (∅ 30 mm FW body)

AFS/N3W
front: 12mm ta
rear: 12mm ta 142

HUBS/MOZZI

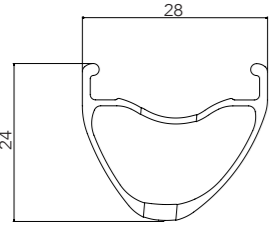


RAPID RED 5 700c (∅ 30 mm FW body)

AFS/HG11 - XDR
front: 12mm ta
rear: 12mm ta 142

RIMS & SPOKES/CERCHI E RAGGI

RIM

	<p>LABEL KIT VALVE HOLE 2WF-READY TAPE DIAMETER</p>	<p>RR-LAB19295 (front+rear Rapid Red 5 700c) 7,5 mm RR-007 (5 m) 29 2WF-Ready</p>
---	---	---

SPOKES

COMPLETE FRONT RH / REAR LH SPOKE 290,5	RR-018	4 spokes + 4 nipples
COMPLETE FRONT LH / REAR RH SPOKE 294,5	RR-019	4 spokes + 4 nipples
NIPPLES	R5-B01	50 pcs.

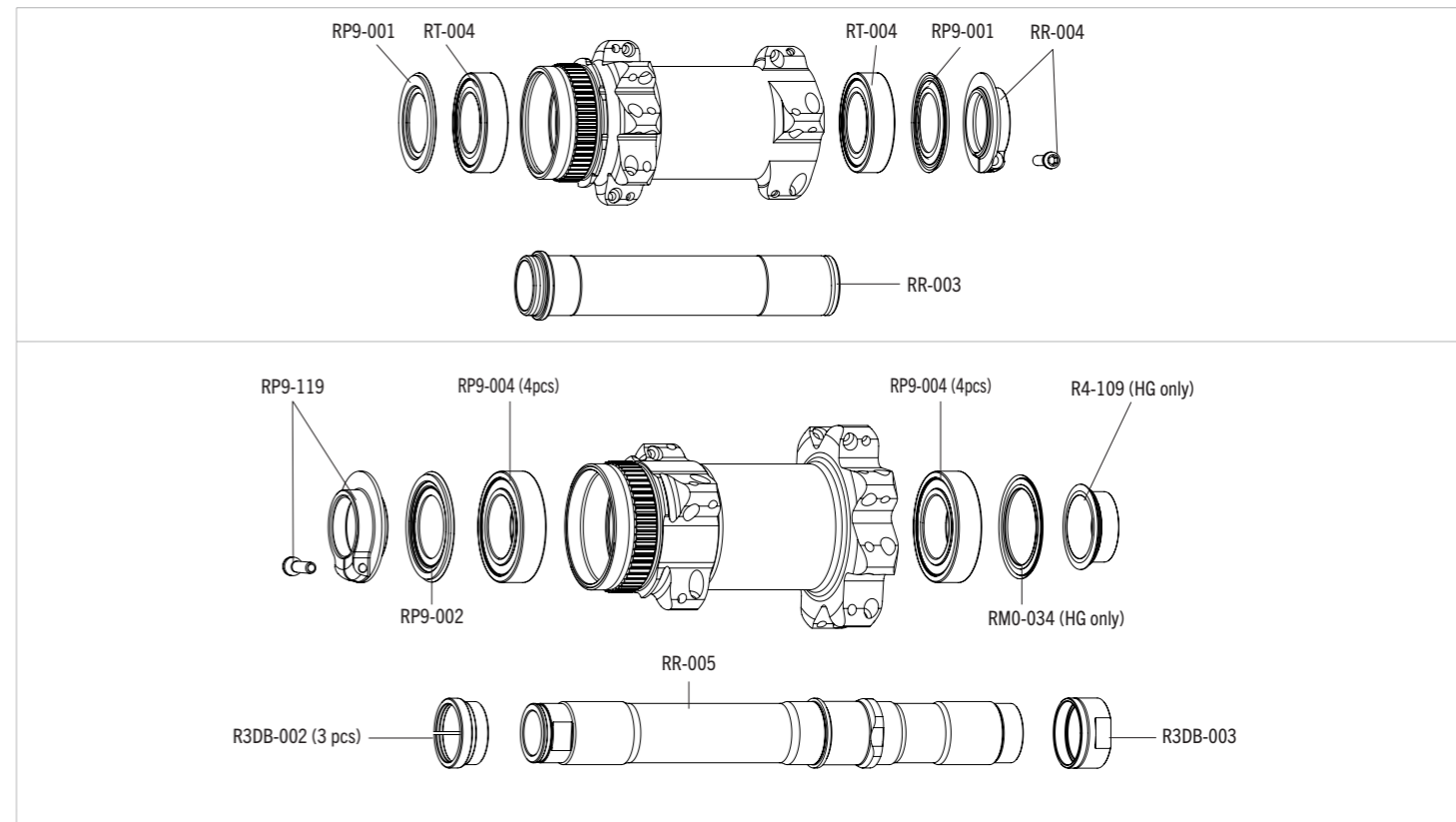
ACCESSORIES

Spacer for HG fw body	RS-004	5 pcs - to be used only with 9/10s sprockets
-----------------------	--------	--

RAPID RED 5 700c (∅ 30 mm FW body)

AFS/HG11 - XDR
front: 12mm ta
rear: 12mm ta 142

HUBS/MOZZI



Complete FW body / Corpetti RL completi d.30 mm

R0-113 (HG 9/12) - R0-126 (XDR V2)

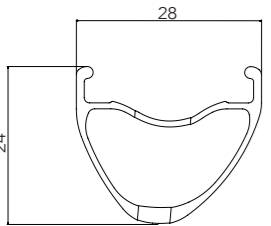
See exploded view pag. 102

RAPID RED 5 700c (∅ 30 mm FW body)

AFS/N3W
front: 12mm ta
rear: 12mm ta 142

RIMS & SPOKES/CERCHI E RAGGI

RIM

	<p>LABEL KIT VALVE HOLE 2WF-READY TAPE DIAMETER</p>	<p>RR-LAB19295 (front+rear Rapid Red 5 700c) 7,5 mm RR-007 (5 m) 29 2WF-Ready</p>
---	---	---

SPOKES

COMPLETE FRONT RH / REAR LH SPOKE 290,5	RR-018	4 spokes + 4 nipples
COMPLETE FRONT LH / REAR RH SPOKE 294,5	RR-019	4 spokes + 4 nipples
NIPPLES	R5-B01	50 pcs.

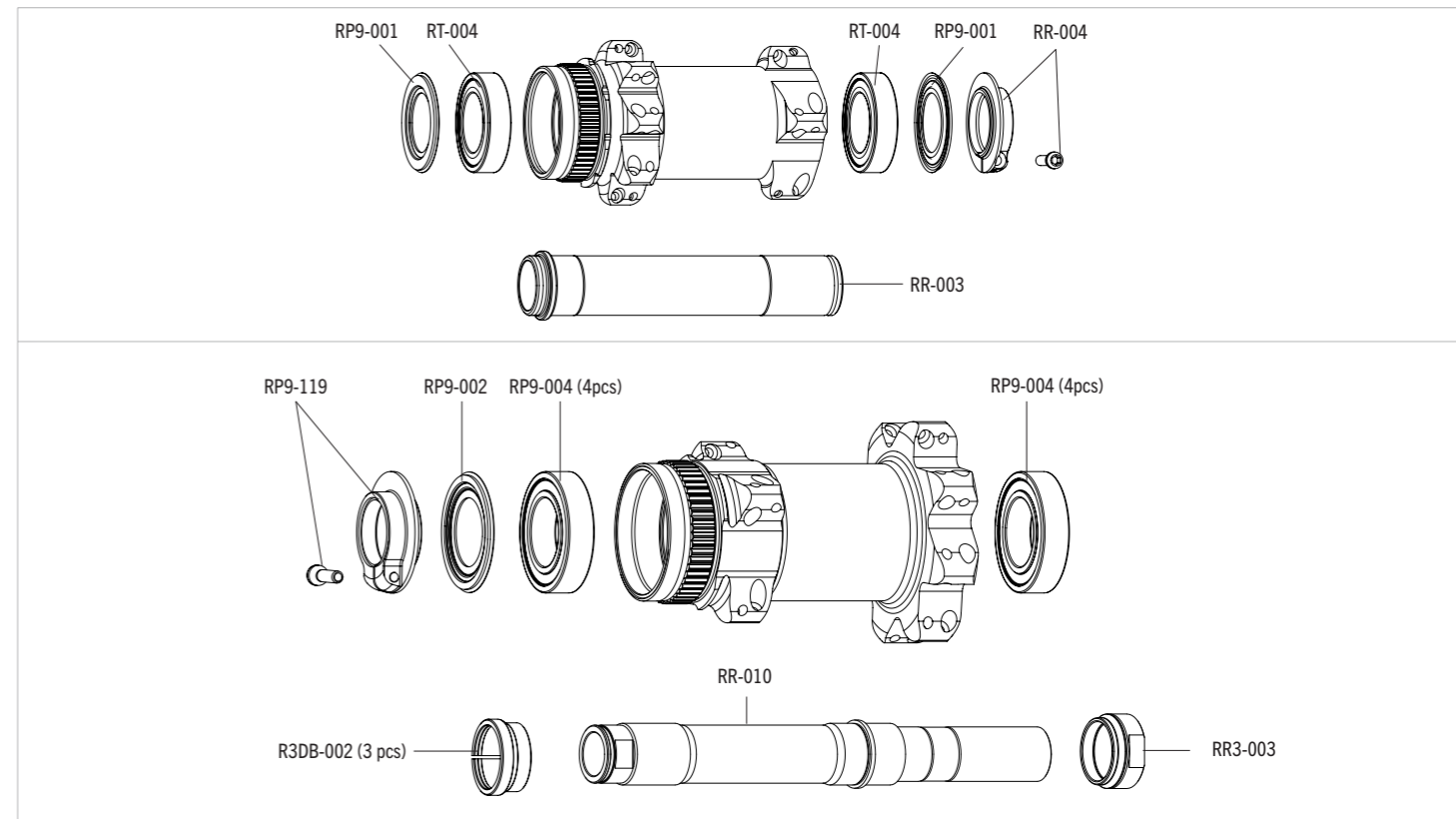
ACCESSORIES

Spacer for HG fw body	RS-004	5 pcs - to be used only with 9/10s sprockets
-----------------------	--------	--

RAPID RED 5 700c (∅ 30 mm FW body)

AFS/N3W
front: 12mm ta
rear: 12mm ta 142

HUBS/MOZZI



FW body d.30 mm/Corpetto RL completo

R0-204 (Campy N3W for 13s)

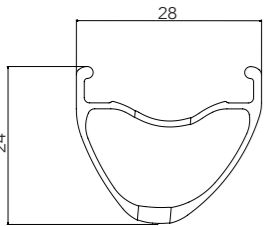
See exploded view pag. 102

RAPID RED 500 700c (∅ 30 mm FW body)

AFS/HG11 - XDR
front: 12mm ta
rear: 12mm ta 142

RIMS & SPOKES/CERCHI E RAGGI

RIM

	<p>LABEL KIT VALVE HOLE 2WF-READY TAPE DIAMETER</p>	<p>RR-LAB1929500 (front+rear Rapid Red 500 700C) 7,5 mm RR-007 (5 m) 29 2WF-Ready</p>
---	---	---

SPOKES

COMPLETE FRONT RH / REAR LH SPOKE 290,5	RR-018	4 spokes + 4 nipples
COMPLETE FRONT LH / REAR RH SPOKE 294,5	RR-019	4 spokes + 4 nipples
NIPPLES	R5-B01	50 pcs.

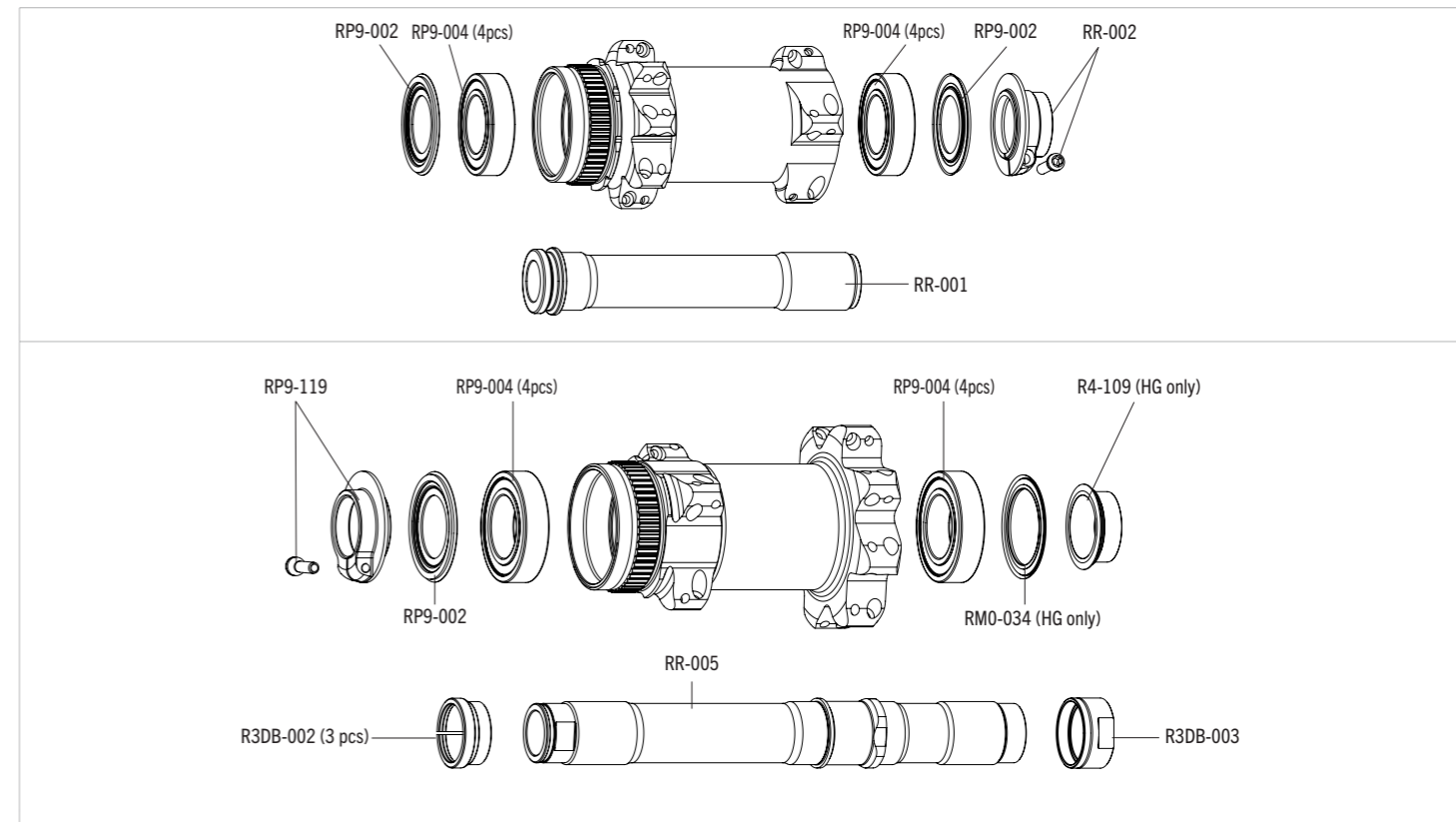
ACCESSORIES

Spacer for HG fw body	RS-004	5 pcs - to be used only with 9/10s sprockets
-----------------------	--------	--

RAPID RED 500 700c (∅ 30 mm FW body)

AFS/HG11 - XDR
front: 12mm ta
rear: 12mm ta 142

HUBS/MOZZI



Complete FW body / Corpetti RL completi

R0-113 (HG 9/12) - R0-126 (XDR V2)

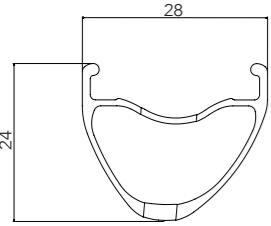
See exploded view pag. 102

RAPID RED 500 700c (∅ 30 mm FW body)

AFS/N3W
front: 12mm ta
rear: 12mm ta 142

RIMS & SPOKES/CERCHI E RAGGI

RIM

	<p>LABEL KIT VALVE HOLE 2WF-READY TAPE DIAMETER</p>	<p>RR-LAB1929500 (front+rear Rapid Red 500 700C) 7,5 mm RR-007 (5 m) 29 2WF-Ready</p>
---	---	---

SPOKES

COMPLETE FRONT RH / REAR LH SPOKE 290,5	RR-018	4 spokes + 4 nipples
COMPLETE FRONT LH / REAR RH SPOKE 294,5	RR-019	4 spokes + 4 nipples
NIPPLES	R5-B01	50 pcs.

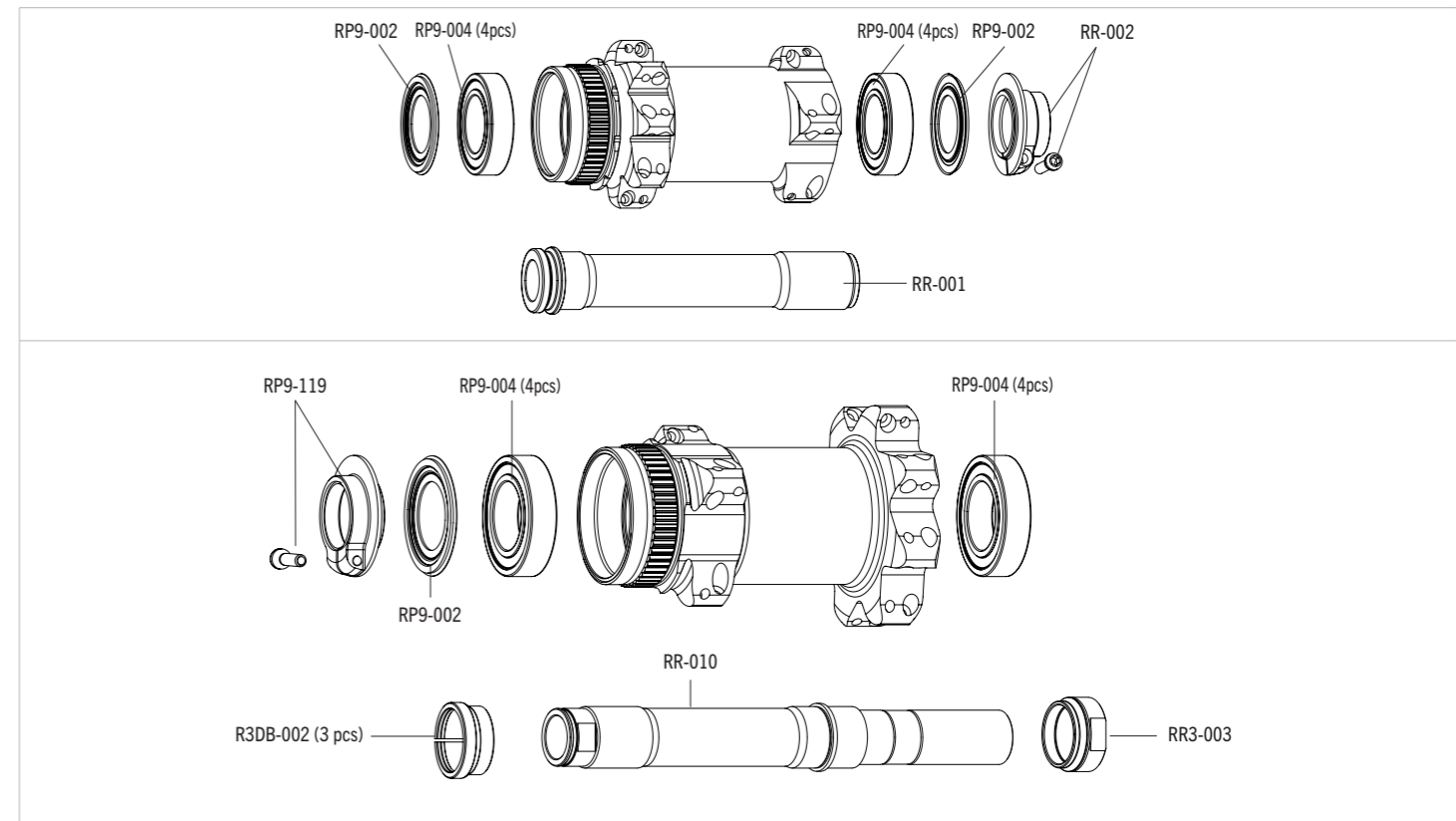
ACCESSORIES

Spacer for HG fw body	RS-004	5 pcs - to be used only with 9/10s sprockets
-----------------------	--------	--

RAPID RED 500 700c (∅ 30 mm FW body)

AFS/N3W
front: 12mm ta
rear: 12mm ta 142

HUBS/MOZZI

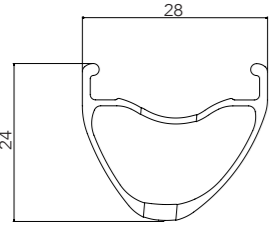


RAPID RED 500 700c (∅ 33 mm FW body)

AFS
front: 12mm ta
rear: 12mm ta 142

RIMS & SPOKES/CERCHI E RAGGI

RIM

	<p>LABEL KIT VALVE HOLE 2WF-READY TAPE DIAMETER</p>	<p>RR-LAB1929500 (front+rear Rapid Red 500 700C) 7,5 mm RR-007 (5 m) 29 2WF-Ready</p>
---	---	---

SPOKES

COMPLETE FRONT RH / REAR LH SPOKE 290,5	RR-018	4 spokes + 4 nipples
COMPLETE FRONT LH / REAR RH SPOKE 294,5	RR-019	4 spokes + 4 nipples
NIPPLES	R5-B01	50 pcs.

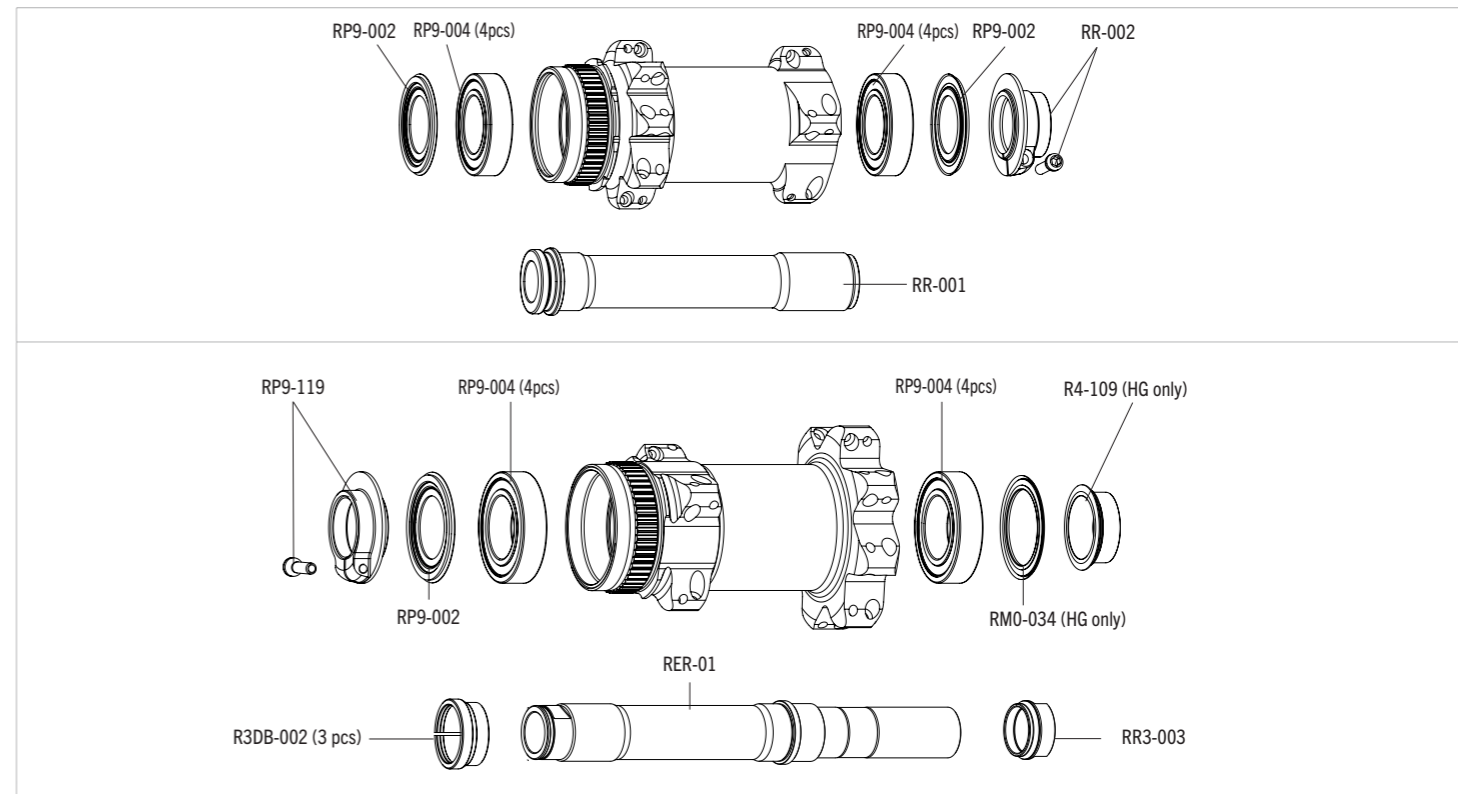
ACCESSORIES

Spacer for HG fw body	RS-004	5 pcs - to be used only with 9/10s sprockets
-----------------------	--------	--

RAPID RED 500 700c (∅ 33 mm FW body)

AFS
front: 12mm ta
rear: 12mm ta 142

HUBS/MOZZI



Complete FW body / Corpetti RL completi

R0-201 (HG 9/12) - R0-203 (Campy N3W for 13s / buy from Campy adapter AC21-N3W for 11-12s) - R0-202 (XDR)
R0-127 (MICRO SPLINE 12)

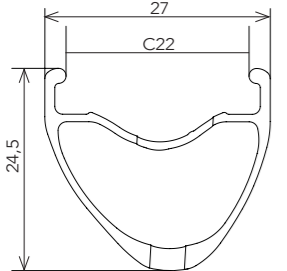
See exploded view pag. 102

RAPID RED 900 650B

AFS

RIMS & SPOKES/CERCHI E RAGGI

RIM

	<p>LABEL KIT VALVE HOLE 2WF-READY TAPE DIAMETER</p>	<p>RR-LAB2027900 (front+rear Rapid Red 900 650b DB) 7,5 mm RR-007 (L=5 m - W=28 mm) 27.5 2WF-Ready</p>
---	---	--

SPOKES

FRONT LH SPOKE L. 263	RR927-017	4 spokes + 4 nipples
FRONT RH SPOKE L. 256	RR927-016	4 spokes + 4 nipples
REAR RIGHT SPOKE L. 260,5	RR927-018	4 spokes + 4 nipples
REAR LEFT SPOKE L. 251	RR927-019	4 spokes + 4 nipples
NIPPLES	50-R8-016BR	50 pcs

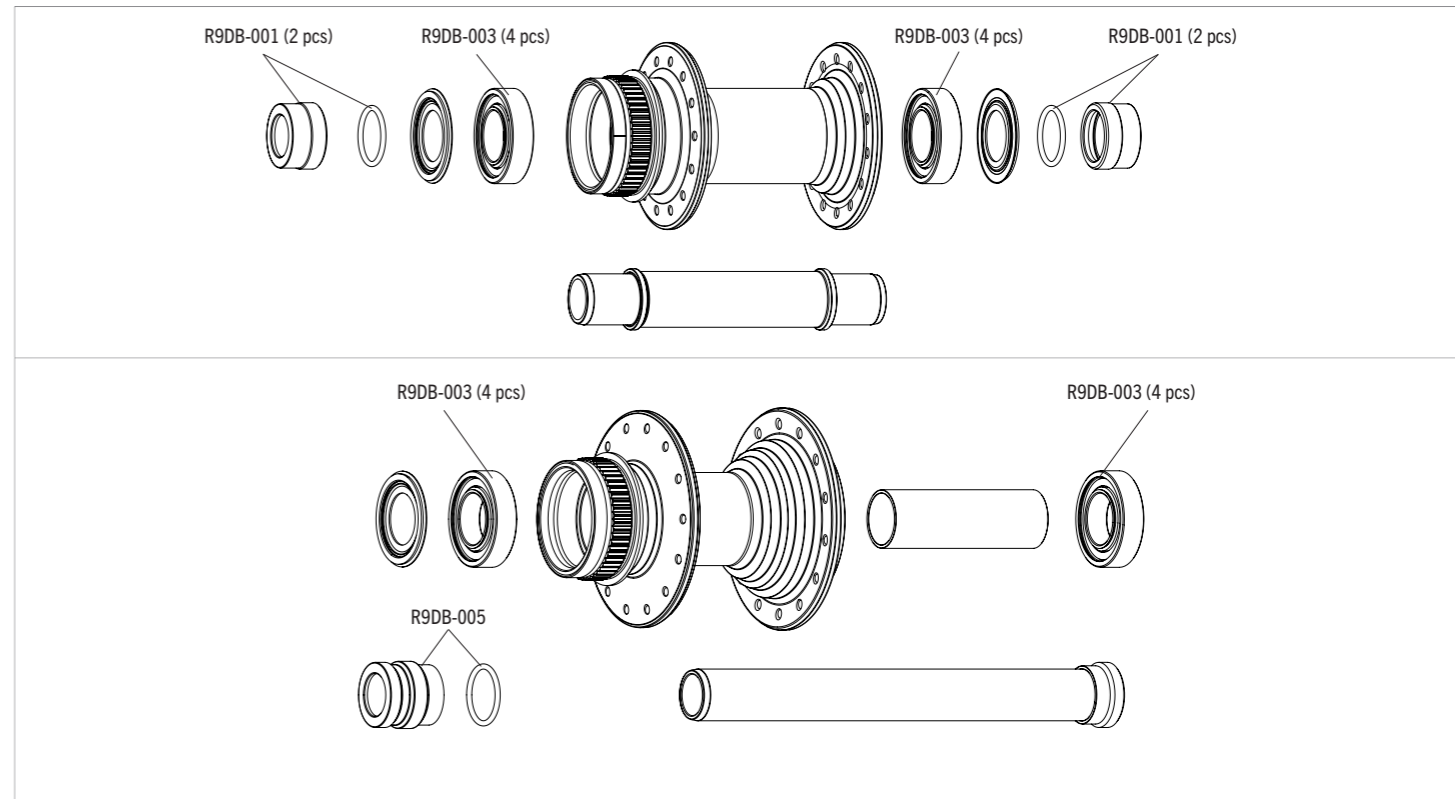
ACCESSORIES

Spacer for HG fw body	RS-004	5 pcs - to be used only with 9/10s sprockets
-----------------------	--------	--

RAPID RED 900 650B

AFS

HUBS/MOZZI



Complete FW body Ø 33 mm /
Corpetti RL completi Ø 33 mm

R0-201 (HG 9/12) - **R0-203** (Campy N3W for 13s / buy from Campy adapter AC21-N3W for 11-12s) - **R0-202** (XDR)
R0-127 (MICRO SPLINE 12)

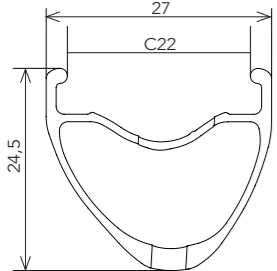
See exploded view pag. 102

RAPID RED 900 700c

AFS

RIMS & SPOKES/CERCHI E RAGGI

RIM

	<p>LABEL KIT VALVE HOLE 2WF-READY TAPE DIAMETER</p>	<p>RR-LAB2029900 (front+rear Rapid Red 900 700c) 7,5 mm RR-007 (L=5 m - W=28 mm) 29 2WF-Ready</p>
---	---	---

SPOKES

FRONT RH SPOKE L. 275	RR929-017	4 spokes + 4 nipples
FRONT LH SPOKE L. 282,5	RR929-016	4 spokes + 4 nipples
REAR RIGHT SPOKE L. 279	RR929-018	4 spokes + 4 nipples
REAR LEFT SPOKE L. 269,5	RR929-019	4 spokes + 4 nipples
NIPPLES	50-R8-016BR	50 pcs

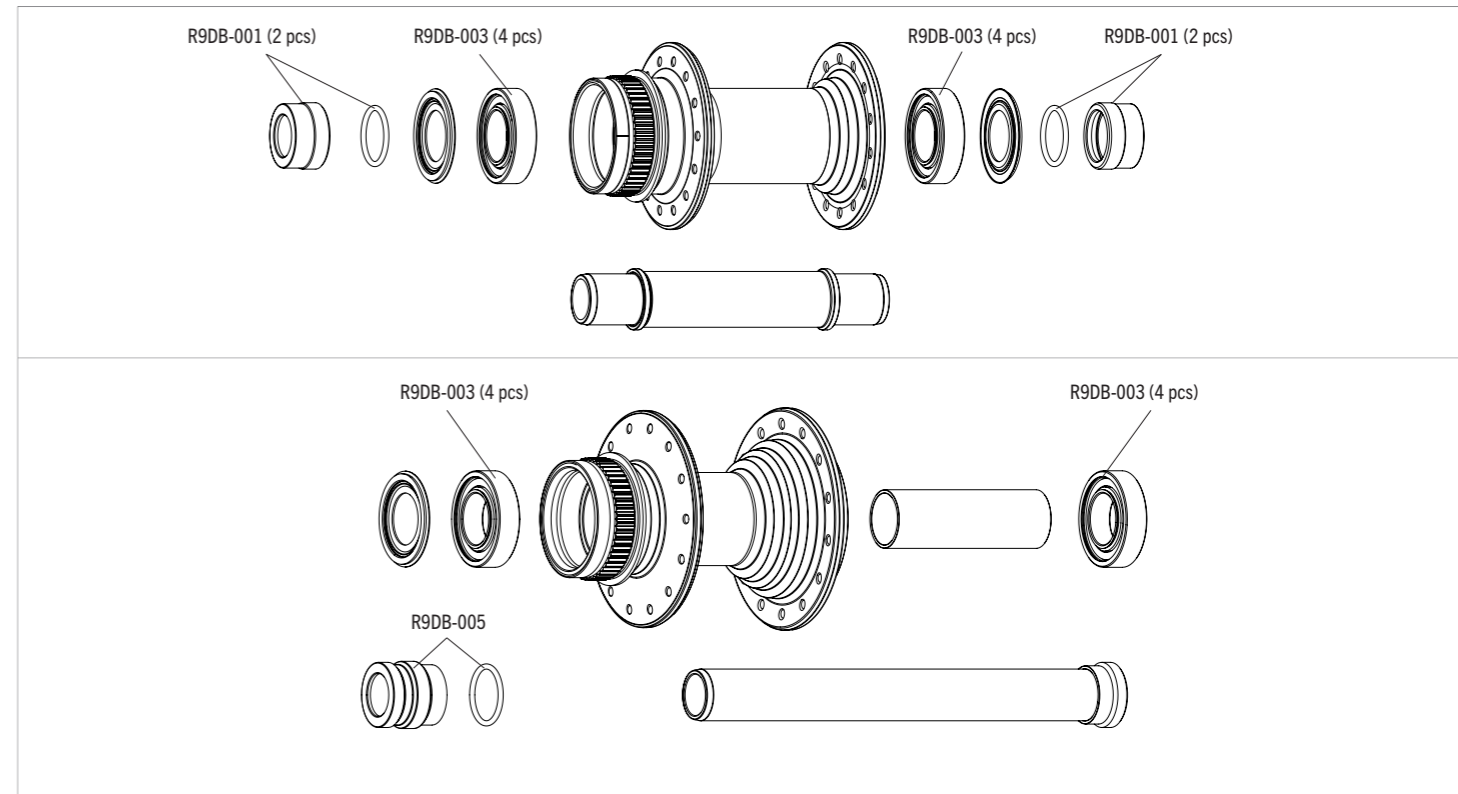
ACCESSORIES

Spacer for HG fw body	RS-004	5 pcs - to be used only with 9/10s sprockets
-----------------------	--------	--

RAPID RED 900 700c

AFS

HUBS/MOZZI



Complete FW body Ø 33 mm /
Corpetti RL completi Ø 33 mm

R0-201 (HG 9/12) - **R0-203** (Campy N3W for 13s / buy from Campy adapter AC21-N3W for 11-12s) - **R0-202** (XDR)
R0-127 (MICRO SPLINE 12)

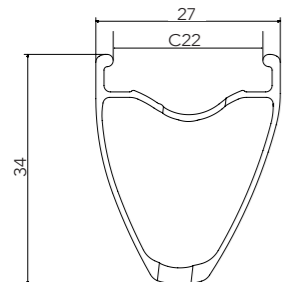
See exploded view pag. 102

E-RACING 4 / 400

AFS

RIMS & SPOKES/CERCHI E RAGGI

RIM

	VALVE HOLE DIAMETER	6,5 mm 622 X 22C
--	---------------------	---------------------

SPOKES

FRONT LEFT/REAR RIGHT SPOKE L. 287,5	RER4DB-016	4 spokes + 4 nipples
FRONT RIGHT SPOKE L. 282	RER4DB-017	4 spokes + 4 nipples
REAR LEFT SPOKE L. 284	RER4DB-019	4 spokes + 4 nipples
NIPPLES	50-EMF-015ALB	50 pcs

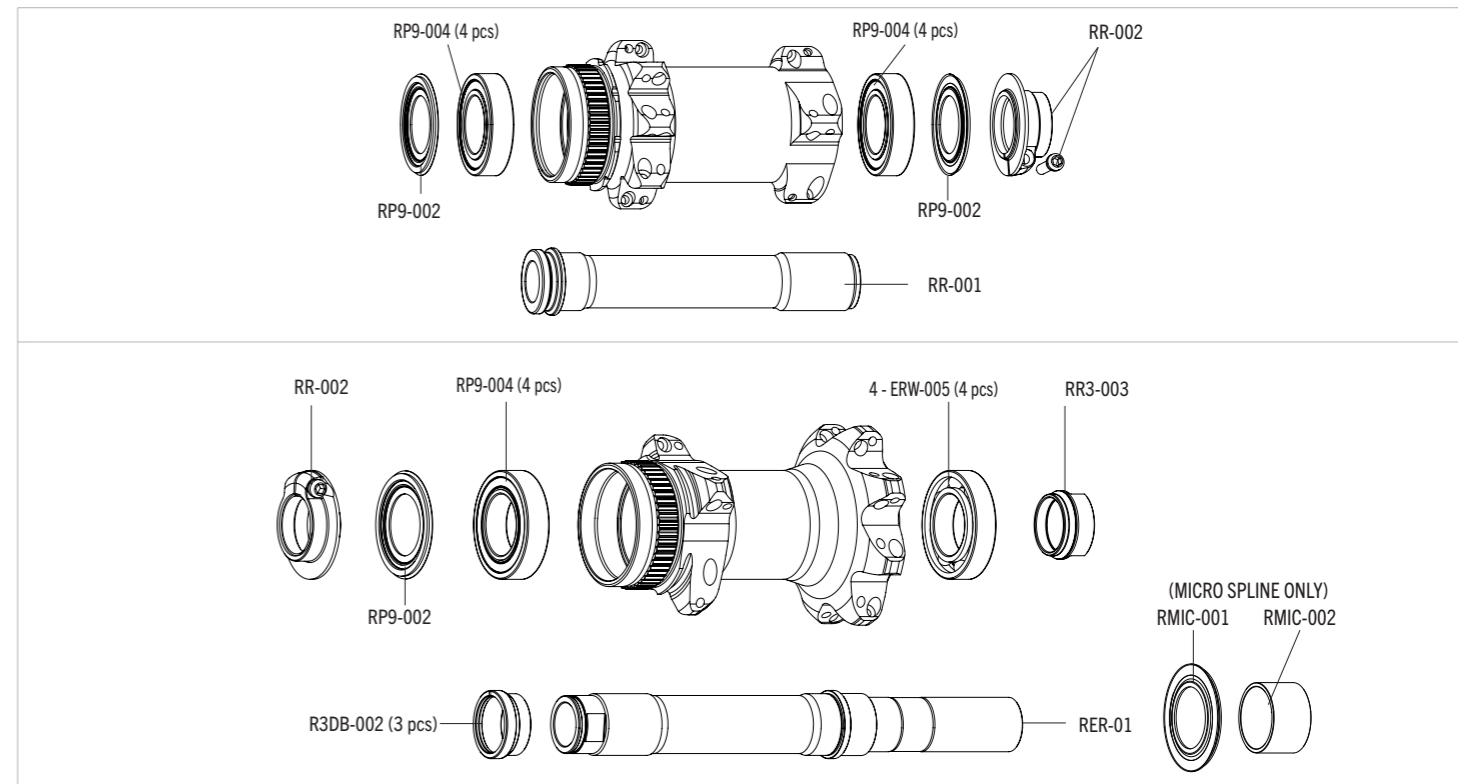
ACCESSORIES

Spacer for HG fw body	RS-004	5 pcs - to be used only with 9/10s sprockets
-----------------------	--------	--

E-RACING 4 / 400

AFS

HUBS/MOZZI



Complete FW body Ø 33 mm / Corpetti RL completi Ø 33 mm

R0-201S (HG 9/12) - R0-203 (Campy N3W for 13s / buy from Campy adapter AC21-N3W for 11-12s) - R0-202S (XDR)
R0-124 (MICRO SPLINE 12)

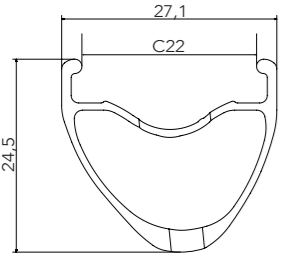
See exploded view pag. 109

E-RACING 900

AFS

RIMS & SPOKES/CERCHI E RAGGI

RIM

	VALVE HOLE DIAMETER	6,5 mm 622 X 22C
---	---------------------	---------------------

SPOKES

FRONT LH SPOKE L. 282.5	RER900-016	4 spokes + 4 nipples
FRONT RH SPOKE L. 281	RER900-017	4 spokes + 4 nipples
REAR RIGHT SPOKE L. 279	RER900-018	4 spokes + 4 nipples
REAR LEFT SPOKE L. 278.5	RER900-019	4 spokes + 4 nipples
NIPPLES	50-R9-016BR	50 pcs

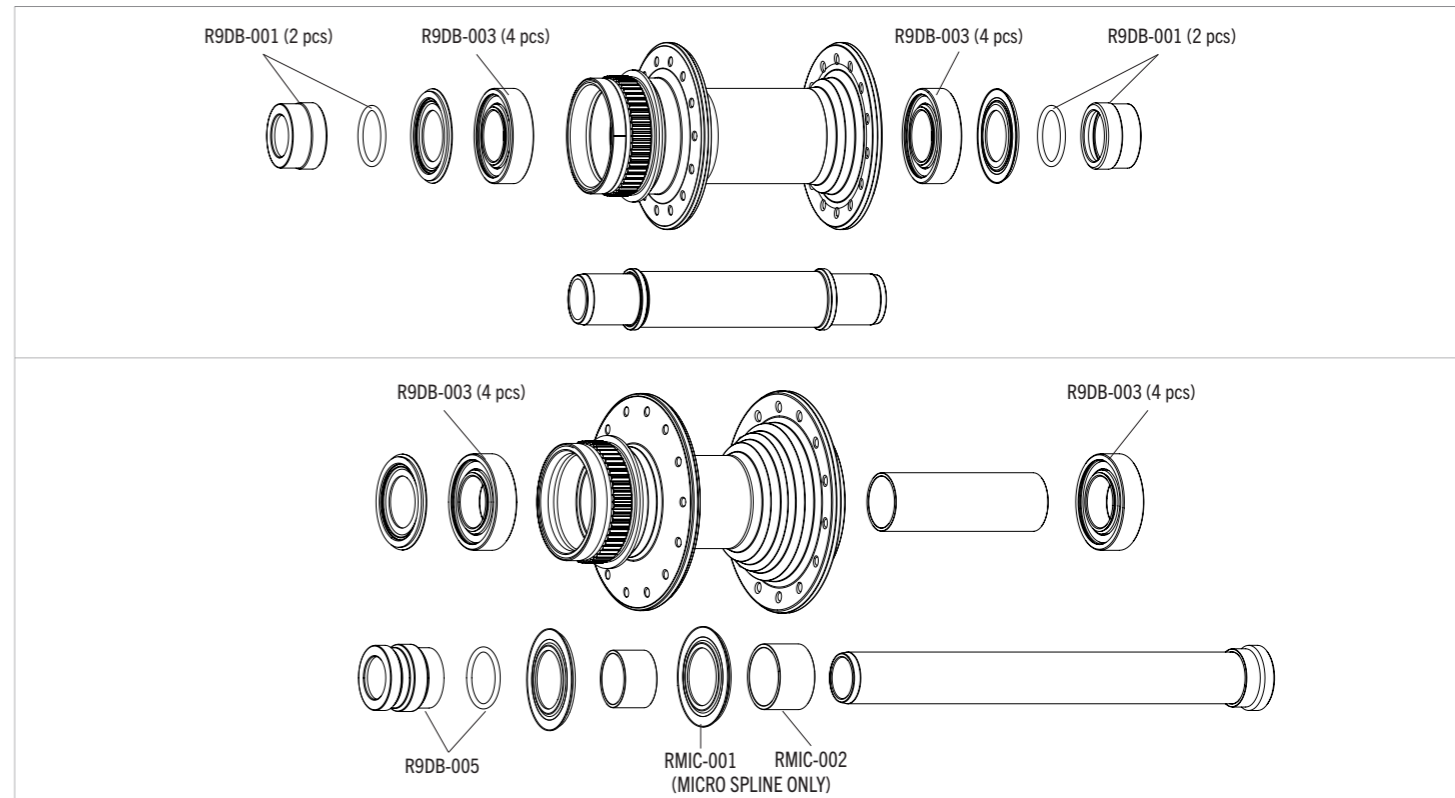
ACCESSORIES

Spacer for HG fw body	RS-004	5 pcs - to be used only with 9/10s sprockets
-----------------------	--------	--

E-RACING 900

AFS

HUBS/MOZZI



Complete FW body Ø 33 mm / Corpetti RL completi Ø 33 mm

R0-201S (HG 9/12) - R0-203 (Campy N3W for 13s / buy from Campy adapter AC21-N3W for 11-12s) - R0-202S (XDR)
R0-124 (MICRO SPLINE 12)

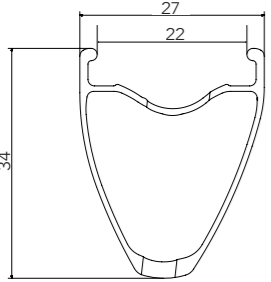
See exploded view pag. 109

E-RACING 400 EBM X20

6 BOLTS

RIMS & SPOKES/CERCHI E RAGGI

RIM

	<p>REAR RIM LABEL KIT VALVE HOLE DIAMETER</p>	<p>RER400X20-R1 (with labels) RER400X20-LAB24 (front + rear) 6,5 mm 622 x 22TC (ISO 5775-2)</p>
---	---	---

SPOKES

<p>FRONT LEFT SPOKE L. 287,5 FRONT RIGHT SPOKE L. 282 REAR SPOKE L. 271 NIPPLES</p>	<p>RER4DB-016 RER4DB-017 RER400X20-019 50-EMF-015ALB</p>	<p>4 spokes + 4 nipples 4 spokes + 4 nipples 4 spokes + 4 nipples 50 pcs</p>
---	--	--

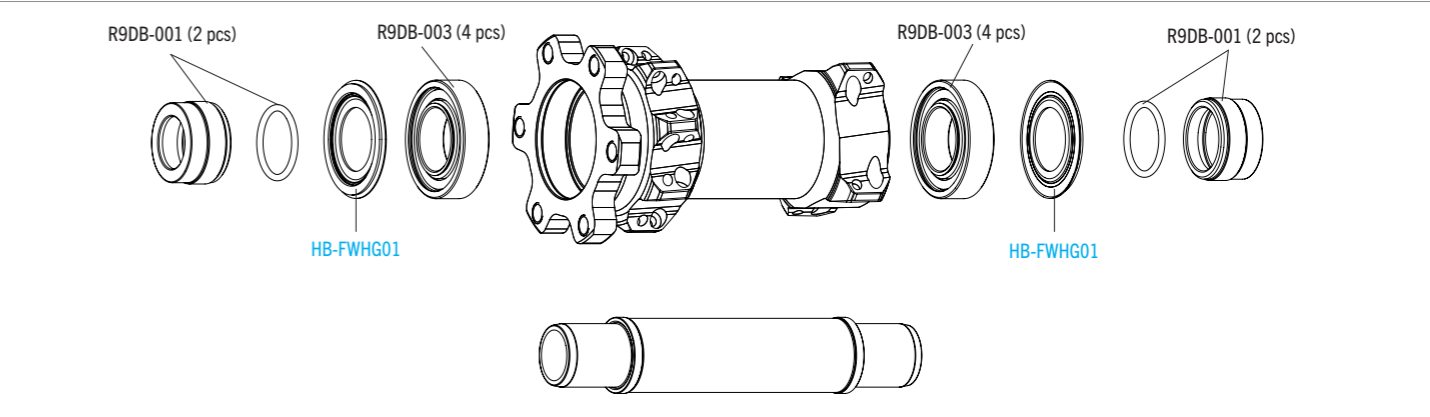
ACCESSORIES

<p>Spacer for HG fw body</p>	<p>RS-004</p>	<p>5 pcs - to be used only with 9/10s sprockets</p>
------------------------------	---------------	---

E-RACING 400 EBM X20

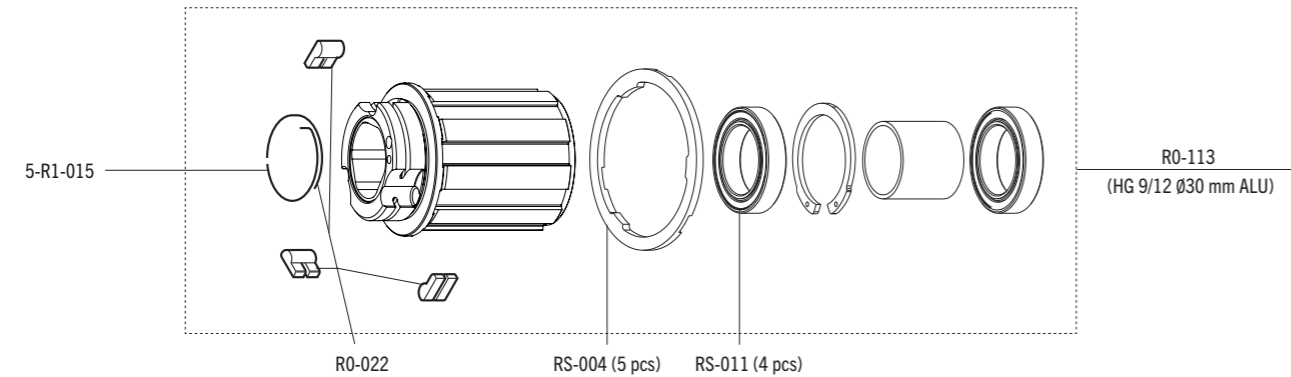
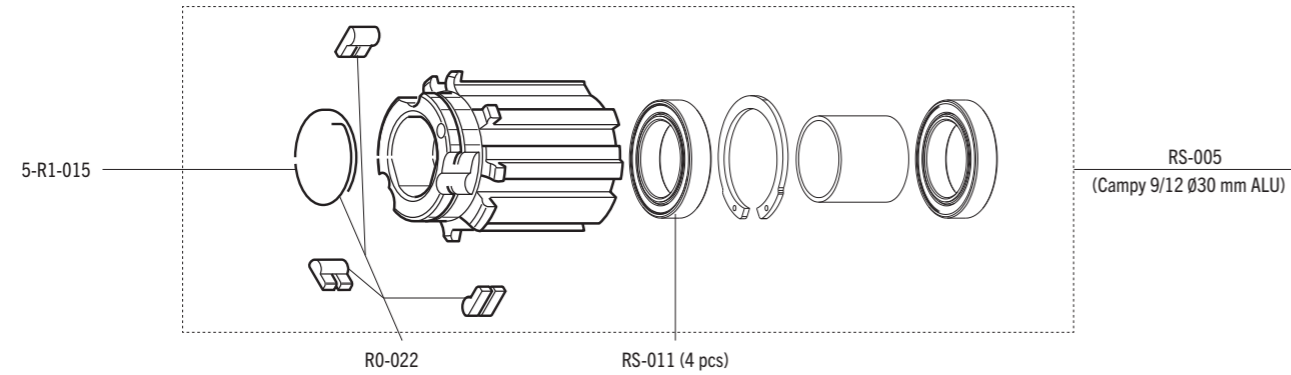
6 BOLTS

HUBS/MOZZI

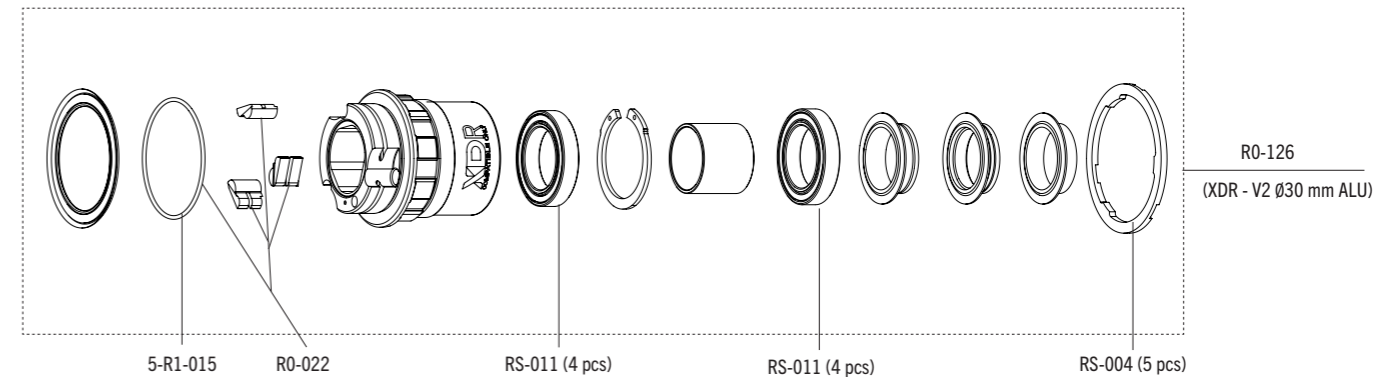
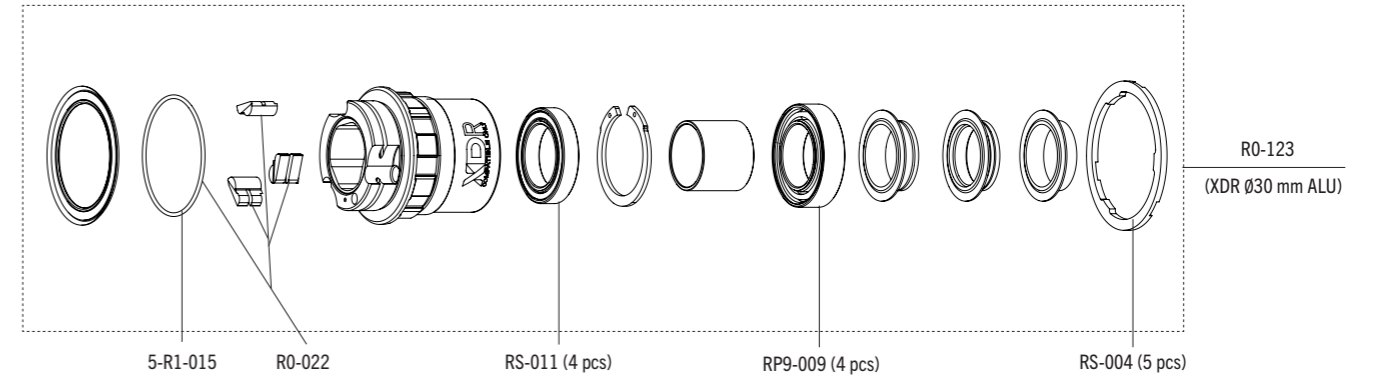


Please contact the manufacturer of the bicycle / Fate riferimento al costruttore della bicicletta

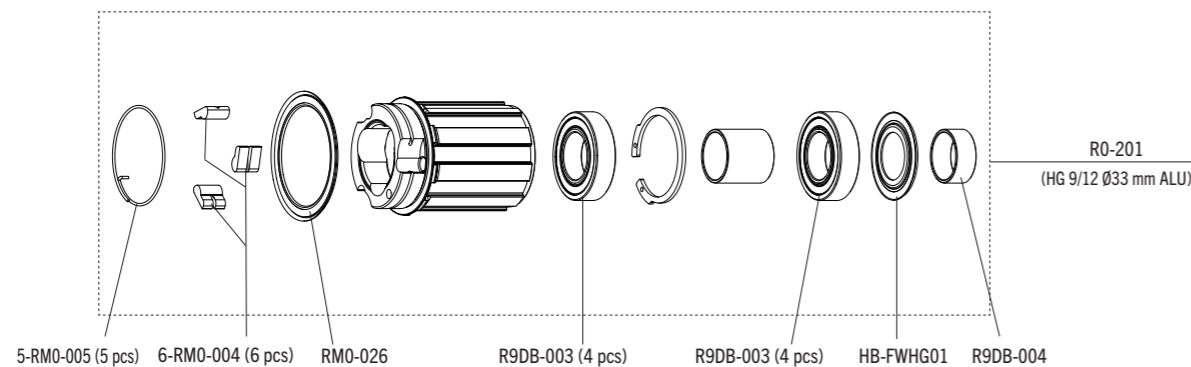
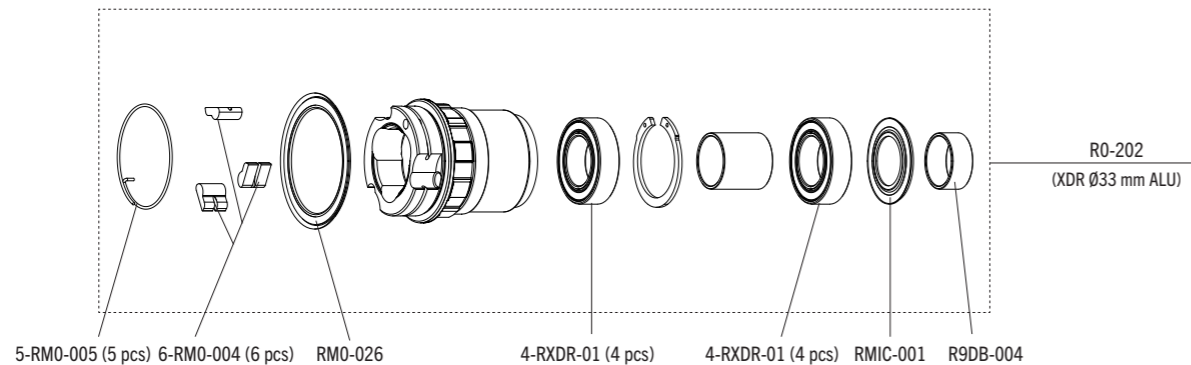
FW BODIES ROAD / GRAVEL WHEELS



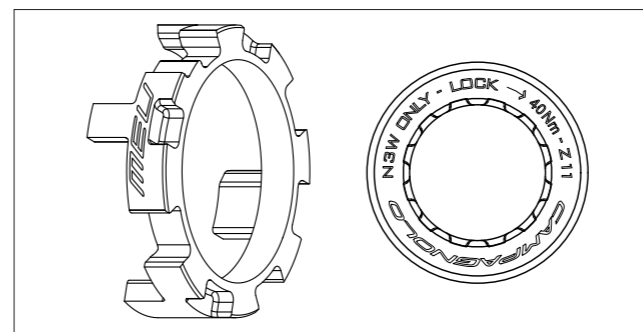
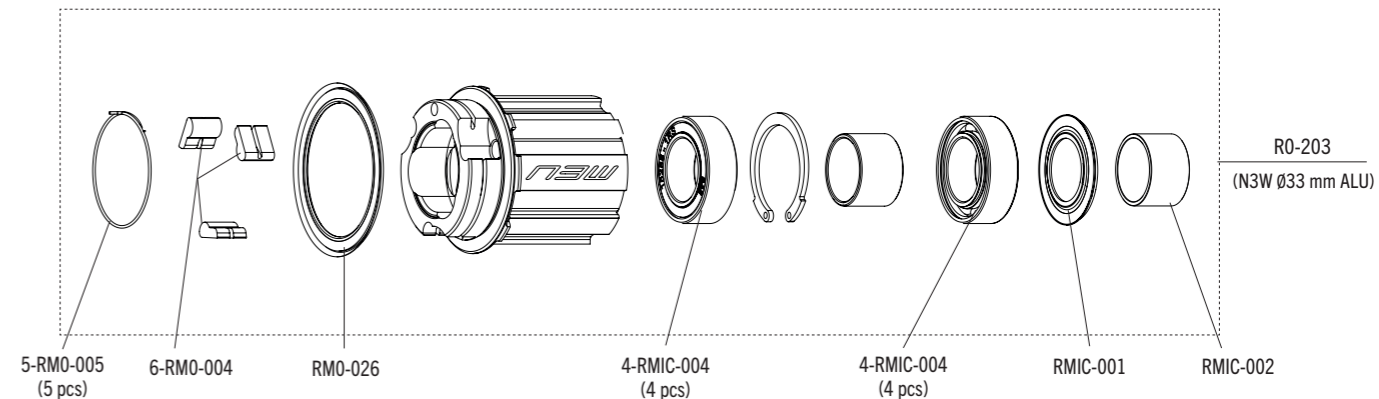
FW BODIES ROAD / GRAVEL WHEELS



FW BODIES ROAD / GRAVEL WHEELS

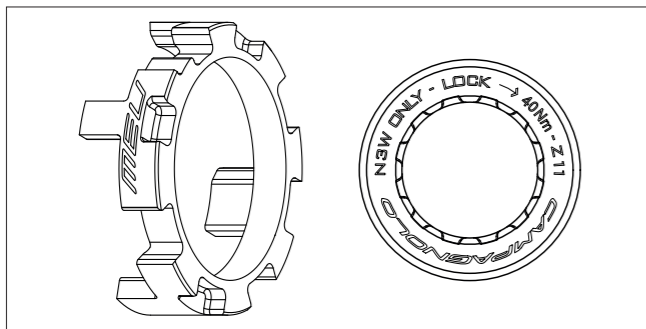
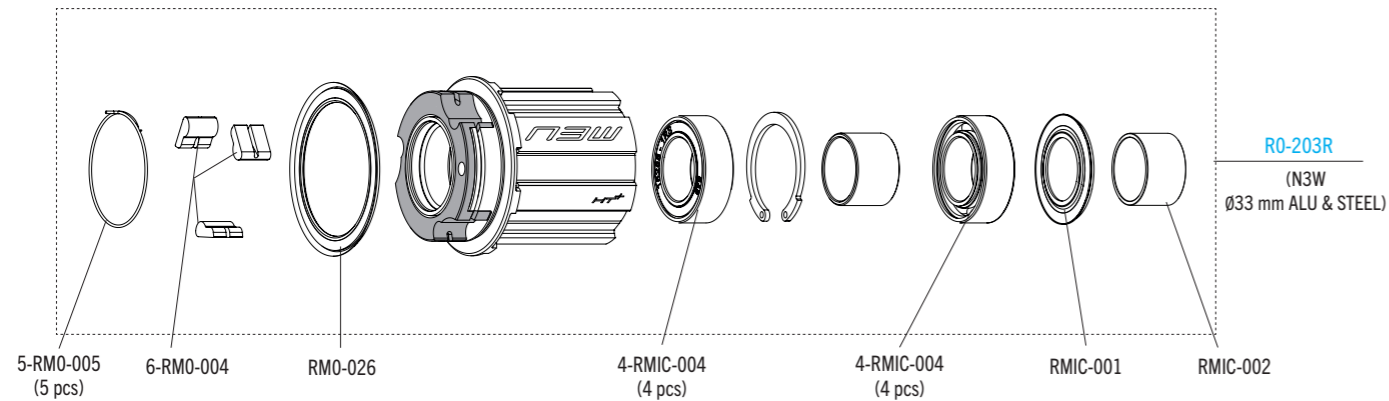


FW BODIES ROAD / GRAVEL WHEELS



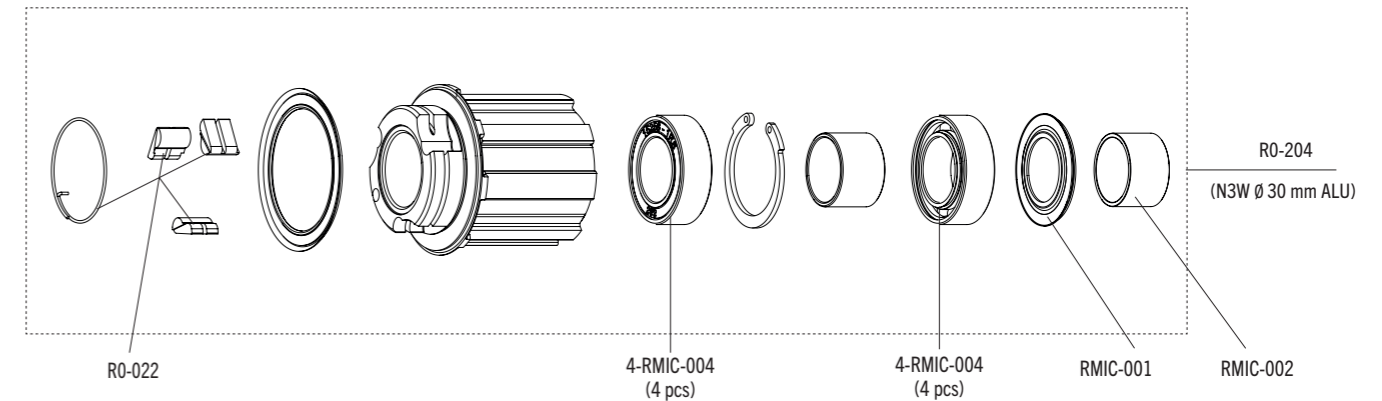
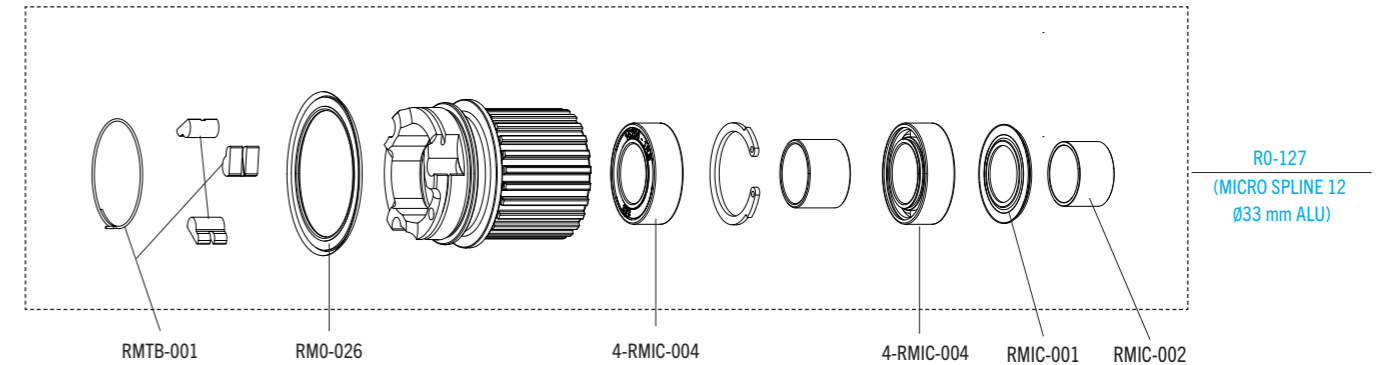
To the N3W f.w. body, to be compatible with 11-12s, you need:
N3W adapter + lockring (CS-702): AC21-N3W (buy it from Campagnolo srl): Corpetto r.l. N3W, per essere compatibile 11-12s, serve: adattatore N3W + ghiera (CS-702): AC21-N3W (acquistabile da Campagnolo srl)

FW BODIES ROAD / GRAVEL WHEELS



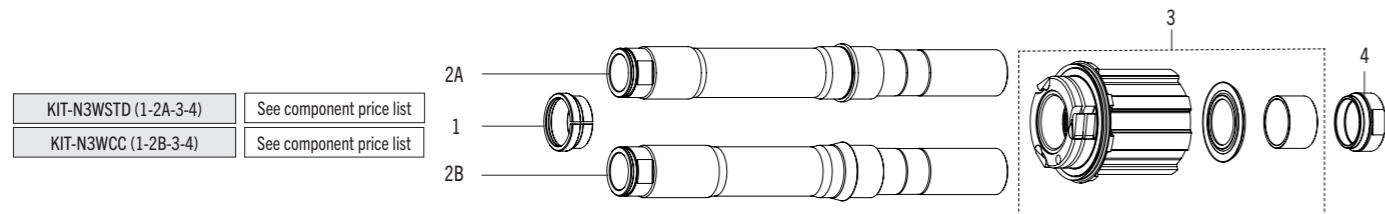
To the N3W f.w. body, to be compatible with 11-12s, you need:
N3W adapter + lockring (CS-702): AC21-N3W (buy it from **Campagnolo srl**): Corpetto r.l. N3W, per essere compatibile 11-12s, serve: adattatore N3W + ghiera (CS-702): AC21-N3W (acquistabile da Campagnolo srl)

FW BODIES ROAD / GRAVEL WHEELS

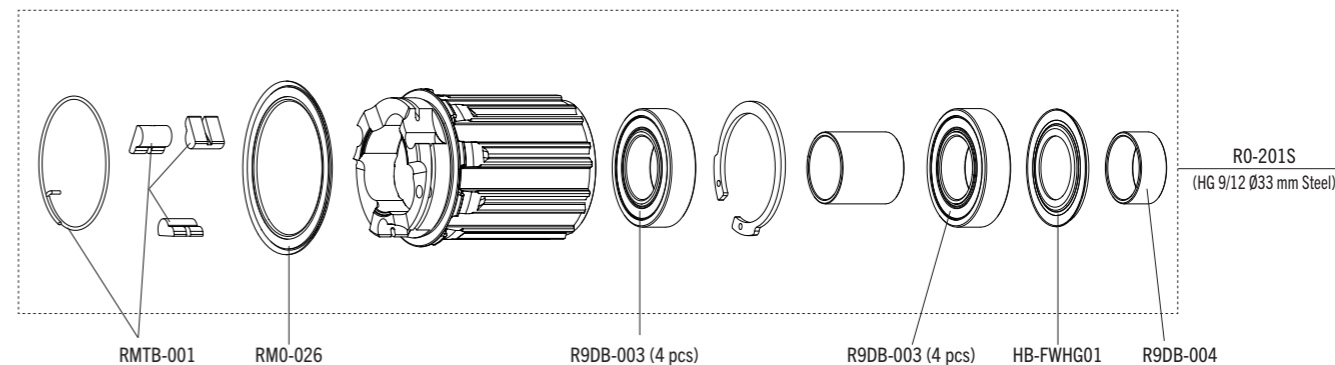
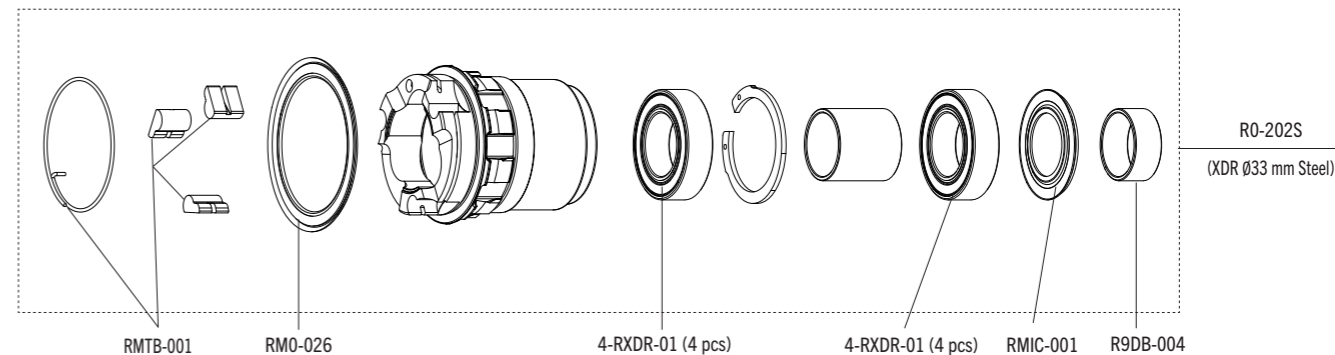


N3W KIT RETROFIT

	RUOTE CONTINUATIVE DB HH12 DA GAMMA 2020		ONGOING DB HH12 WHEELS FROM 2020 RANGE
RUOTE	Racing 7/700 DB (cuscinetti industriali)	WHEEL MODELS	Racing 7/700 DB (industrial bearings)
	Racing 6/600 DB (cuscinetti industriali)		Racing 6/600 DB (industrial bearings)
	Racing 5/500 DB (cuscinetti industriali)		Racing 5/500 DB (industrial bearings)
	Racing 4/400 DB (cuscinetti industriali)		Racing 4/400 DB (industrial bearings)
	Rapid Red 5/500 DB (cuscinetti industriali)		Rapid Red 5/500 DB (industrial bearings)
	Wind 40 /55 DB (cuscinetti industriali)		Wind 40 /55 DB (industrial bearings)
	Racing 3 DB (coni-calotta)		Racing 3 DB (cup-and-cone)
	Famiglia Racing Zero DB (coni-calotta)		Racing Zero DB family (cup-and-cone)
Famiglia Speed 40-55 DB (coni-calotta)	Speed 40-55 DB family (cup-and-cone)		
	Racing 900 DB (2020 NON compatibile) - prodotto solo OEM		Racing 900 DB (2020 NOT compatible) - OEM only
CREMAGLIERA	d. 30 mm	RACK	d. 30 mm
PER RENDERE COMPATIBILE LA RUOTA CON IL GRUPPO 13s	Serve kit di trasformazione (corpetto N3W codice R0-204 incluso):	TO MAKE THE WHEEL COMPATIBLE WITH 13s GROUPSET	Transformation kit required (N3W body code R0-204 included):
	<ul style="list-style-type: none"> Per cuscinetti industriali: KIT-N3WSTD (Vedi listino componenti) Per coni-calotta: KIT-N3WCC (Vedi listino componenti) 		<ul style="list-style-type: none"> For industrial bearings: KIT-N3WSTD (See component price list) For cup-and-cone: KIT-N3WCC (See component price list)



FWW BODIES E-ROAD/E-GRAVEL WHEELS



QUICK RELEASES



R5-QFR02	R3-QFR12	RWX-QFR12	RM0-QFR
RACING 5 LG RACING 7 LG RACING SPORT	SPEED 55C / SPEED 40C WIND 40/400 C RACING ZERO COMPETIZIONE RACING ZERO NITE RACING ZERO RACING 3 RACING QUATTRO CARBON RACING QUATTRO LG	SPEED 55T / SPEED 40T RACING ZERO CARBON RED WIND XLR SPEED 360T	RED PASSION

R5-QF16K + R5-QR16K (incl. KIT HH=>QR)	R4-QF16K + R4-QR16K (incl. KIT HH=>QR)
RACING 5 DB / RACING 500 DB RACING 6 DB / RACING 600 DB RACING 7 DB / RACING 700 DB RED ZONE 5 / RED ZONE 500 RED ZONE 7 / RED ZONE 700 RED FIRE 5 / RED FIRE 500	RACING QUATTRO CARBON DB

RM5-QFR
RED PASSION 3

FULCRUM

www.fulcrumwheels.com