



0509

**FULCRUM WHEELS**  
**2020 SPARE PARTS BOOK**

www.fulcrumwheels.com

# 2020 SPARE PARTS & TOOLS

## ROAD - RIM BRAKE

SPEED 55T	6
SPEED 55C	8
SPEED 40T	10
SPEED 40C	12
WIND 40 / 400	14
RACING ZERO CARBON	16
RACING ZERO COMPETIZIONE	18
RACING ZERO NITE	20
RACING ZERO	22
RACING 3	24
RACING 4 / 400	26
RACING 5 / 500	28
RACING 6 / 600	30
RACING 900	32
SPEED 360T	34
VALVE EXTENSIONS	35

## 2020 SPARE PARTS & TOOLS

### ROAD - DISC BRAKE

SPEED 40T DB	36
SPEED 55T DB	38
SPEED 40 DB	40
WIND 40 DB	42
WIND 55 DB	44
RACING ZERO DB	46
RACING ZERO CARBON DB	48
RACING 3 DB	50
RACING 4 DB	52
RACING 400 DB	54
RACING 5 DB	56
RACING 500 DB	58
RACING 6 DB	60
RACING 600 DB	62
RACING 7B DB	64
RACING 700B DB	66
RACING 7 DB	68
RACING 700 DB	70
RACING 900 DB	72

## 2020 SPARE PARTS & TOOLS

### B - ROAD

RAPID RED 5 650b DB	74
RAPID RED 500 650b DB	76
RAPID RED 5 700c DB	78
RAPID RED 500 700c DB	80

### FW BODIES - ROAD WHEELS

82

### ROAD ADAPTERS - DISC BRAKE

84

### MTB

RED ZONE 5 / 500	86
RED ZONE 7 / 700	98
RED METAL 5 / 500	110
RED FIRE 5 / 500	114

# 2020 SPARE PARTS & TOOLS

## E-MTB

E-METAL 3 / 300	120
E-METAL 5 / 500	128
E-METAL 700	136
E-FIRE 3 / 300	144
E-FIRE 5 / 500	148
E-FIRE 700	152

## MTB ADAPTERS

156

## QUICK-RELEASES

159

## TOOLS & ACCESSORIES

160

## HEADQUARTERS

### FULCRUM WHEELS S.R.L.

Via dell'Economia, 103  
36100 Vicenza  
Tel. +39 0444 289306  
Fax +39 0444 962844  
info@fulcrumwheels.com  
technical@fulcrumwheels.com

## BRANCH OFFICES

### FRANCE

FULCRUM FRANCE  
9 rue du progrès  
69800 Saint Priest  
Tel. +33(0)4.78.67.37.21  
infos@fulcrumwheels.fr

### GERMANY

FULCRUM CENTRAL EUROPE GmbH  
Pasewaldtstrasse 16  
D- 14169 Berlin  
Tel:+49 (0)30 91570633  
info@fulcrum-ce.com

### JAPAN

FULCRUM JAPAN  
65 Yoshida-cho, Naka-ku  
231-0041 Yokohama  
Tel +81 45 264 2780  
info@fulcrum-jp.com

### TAIWAN

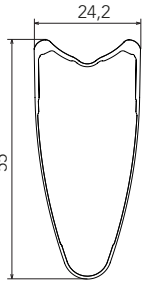
PRIMATEK Ltd.  
No.4, Gongyequ 10th Rd.  
Taichung City 407 - Xitun Dist.  
Taiwan (R.O.C.)  
Tel: +886 4 23506831  
Fax: +886 4 23596764  
info@primatek.biz



# SPEED™ 55T tubular

## RIMS & SPOKES/CERCHI E RAGGI

### RIM

	FRONT RIM	RSF-TRK5518 (with labels)
	REAR RIM	RSR-TRK5518 (with labels)
VALVE HOLE	6,5 mm	
VALVE HOLE BUSHING	RWX-014 (5 pcs)	
VALVE HOLE EXTENSION	T-26	
DIAMETER	634 mm	
BRAKE PADS	for carbon rims - BR-B0500 (for brakes with retention spring or interference fixing) - BR-B0500X1 (for brakes with screw fixing)	

### SPOKES

FRONT SPOKE	RS-01655	4 spokes + 4 nipples
REAR RIGHT SPOKE	RS-01855	4 spokes + 4 nipples
REAR LEFT SPOKE	RS-01955	4 spokes + 4 nipples
NIPPLES	RWX-B	black - 10 pcs
TOOL	T-11	magnet-attractor insert for nipple
TOOL	T-05	nipple-guide magnet
TOOL	T-18	spoke spanner
TOOL	T-02	spoke anti-rotation

### ACCESSORIES

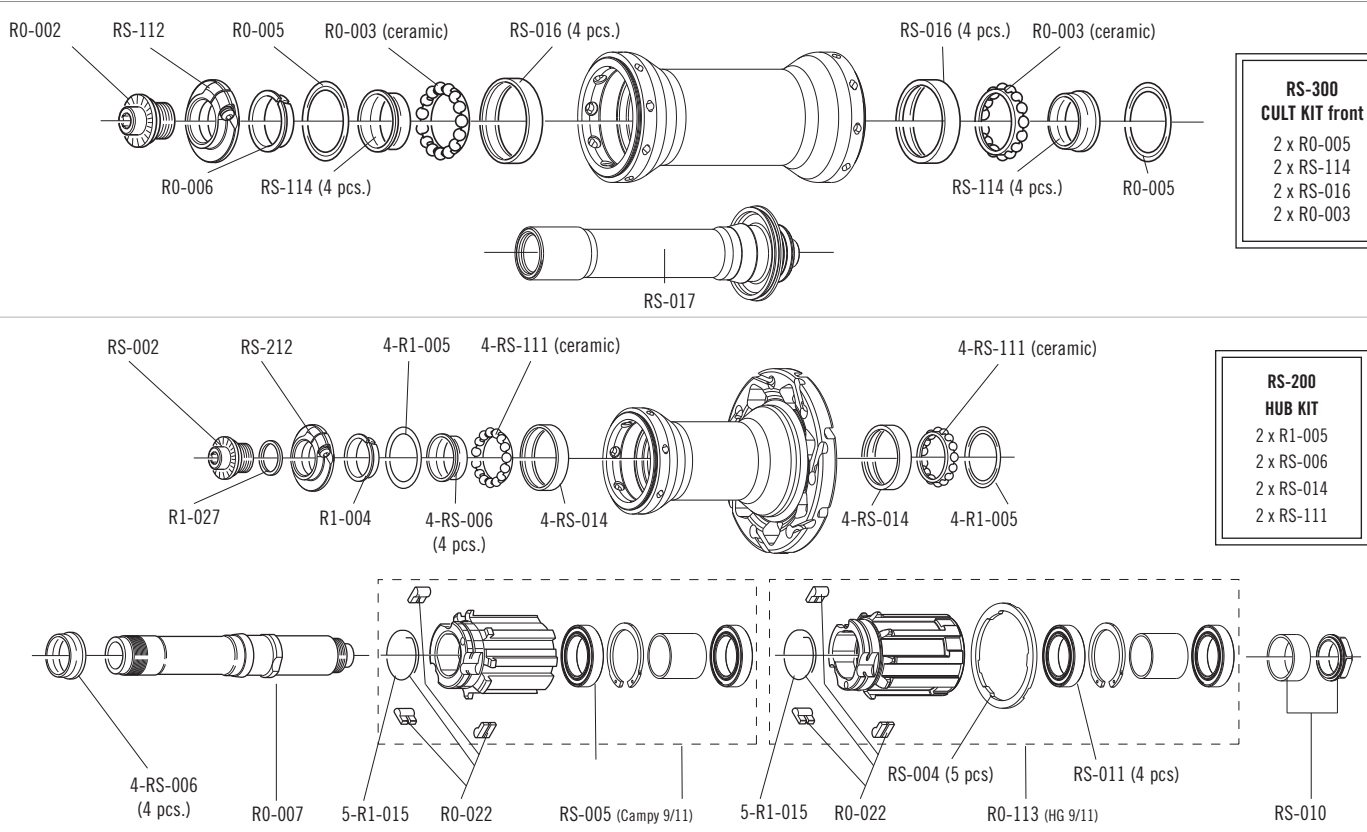
Spacer for HG11 FW body	RS-004	5 pcs - to be used only with 9/10s sprockets (HG11 FW body package contains the spacer)
-------------------------	--------	--

### ⚠ WARNING!

Due to the high temperatures reached when braking, we recommend you use only glue for tubular tires specifically for carbon fibre rims.  
A causa delle alte temperature raggiunte in frenata, vi consigliamo di utilizzare solamente colla per tubolari che sia specifica per i soli cerchi in fibra di carbonio.

# SPEED™ 55T tubular

## HUBS/MOZZI



**RS-300  
CULT KIT front**

- 2 x R0-005
- 2 x RS-114
- 2 x RS-016
- 2 x R0-003

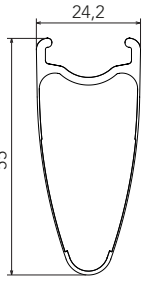
**RS-200  
HUB KIT**

- 2 x R1-005
- 2 x RS-006
- 2 x RS-014
- 2 x RS-111

# SPEED™ 55C clincher

## RIMS & SPOKES/CERCHI E RAGGI

### RIM

	FRONT RIM	RSF-CRK5518 (with labels)
	REAR RIM	RSR-CRK5518 (with labels)
	VALVE HOLE	6,5 mm
	VALVE HOLE BUSHING	RWX-014 (5 pcs)
	VALVE HOLE EXTENSION	T-26
	DIAMETER	622 x 17C
	BRAKE PADS	for carbon rims - BR-B0500 (for brakes with retention spring or interference fixing) - BR-B0500X1 (for brakes with screw fixing)

### SPOKES

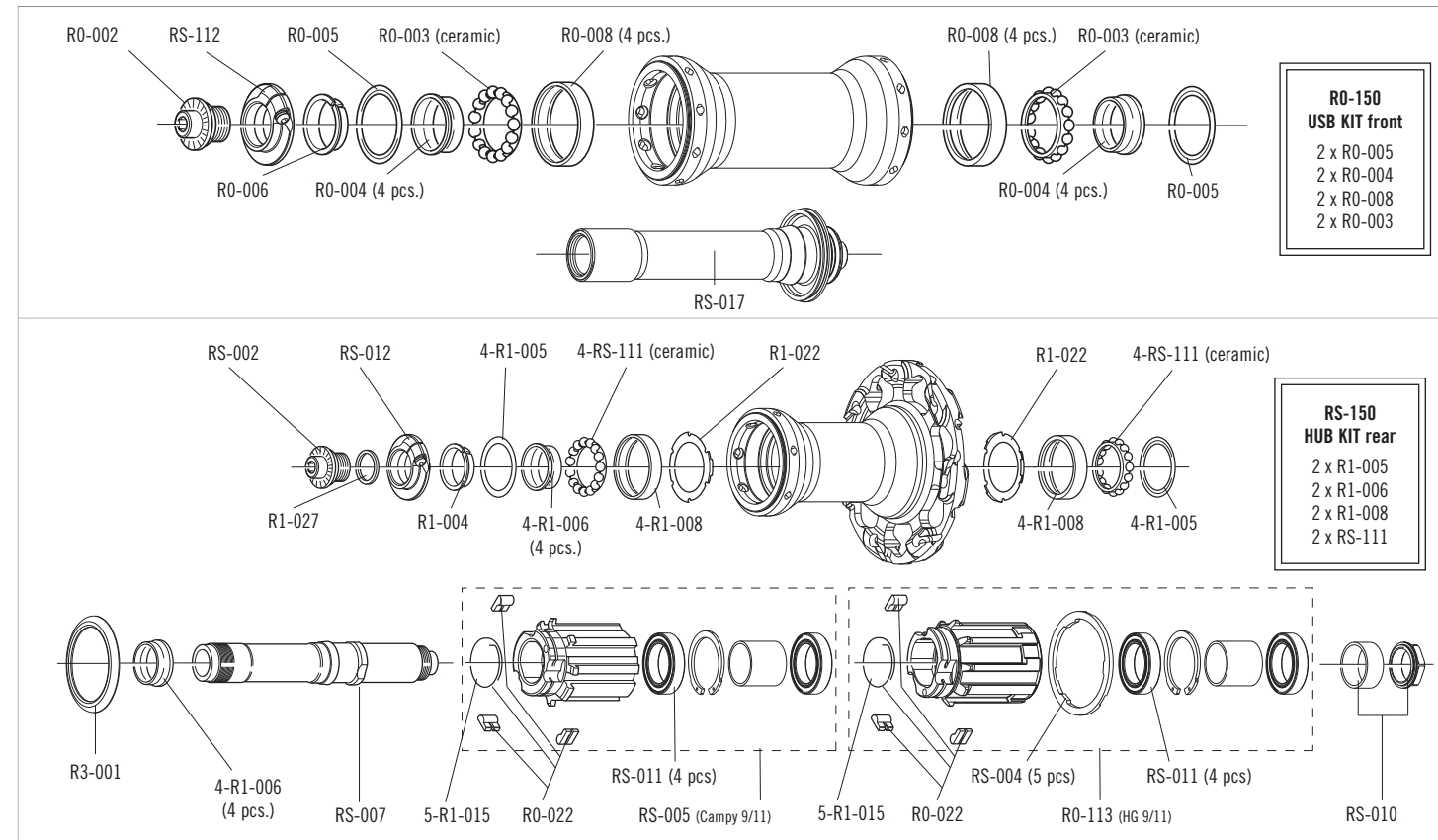
FRONT SPOKE	RS-01655	4 spokes + 4 nipples
REAR RIGHT SPOKE	RS-01855	4 spokes + 4 nipples
REAR LEFT SPOKE	RS-01955	4 spokes + 4 nipples
NIPPLES	RWX-B	black - 10 pcs
TOOL	T-11	magnet-attractor insert for nipple
TOOL	T-05	nipple-guide magnet
TOOL	T-18	spoke spanner
TOOL	T-02	spoke anti-rotation

### ACCESSORIES

Spacer for HG11 FW body	RS-004	5 pcs - to be used only with 9/10s sprockets (HG11 FW body package contains the spacer)
-------------------------	--------	--

# SPEED™ 55C clincher

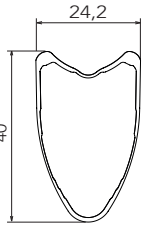
## HUBS/MOZZI



# SPEED™ 40T tubular

## RIMS & SPOKES/CERCHI E RAGGI

### RIM

	FRONT RIM	SPF-TR4018 (with labels)
	REAR RIM	SPR-TR4018 (with labels)
VALVE HOLE	6,5 mm	
VALVE HOLE BUSHING	RWX-014 (5 pcs)	
DIAMETER	634 mm	
BRAKE PADS	for carbon rims - BR-B0500 (for brakes with retention spring or interference fixing) - BR-B0500X1 (for brakes with screw fixing)	

### SPOKES

FRONT SPOKE	RS-01640	4 spokes + 4 nipples
REAR RIGHT SPOKE	RS-01840	4 spokes + 4 nipples
REAR LEFT SPOKE	RS-01940	4 spokes + 4 nipples
NIPPLES	RWX-B	black - 10 pcs
TOOL	T-11	magnet-attractor insert for nipple
TOOL	T-05	nipple-guide magnet
TOOL	T-18	spoke spanner
TOOL	T-02	spoke anti-rotation

### ACCESSORIES

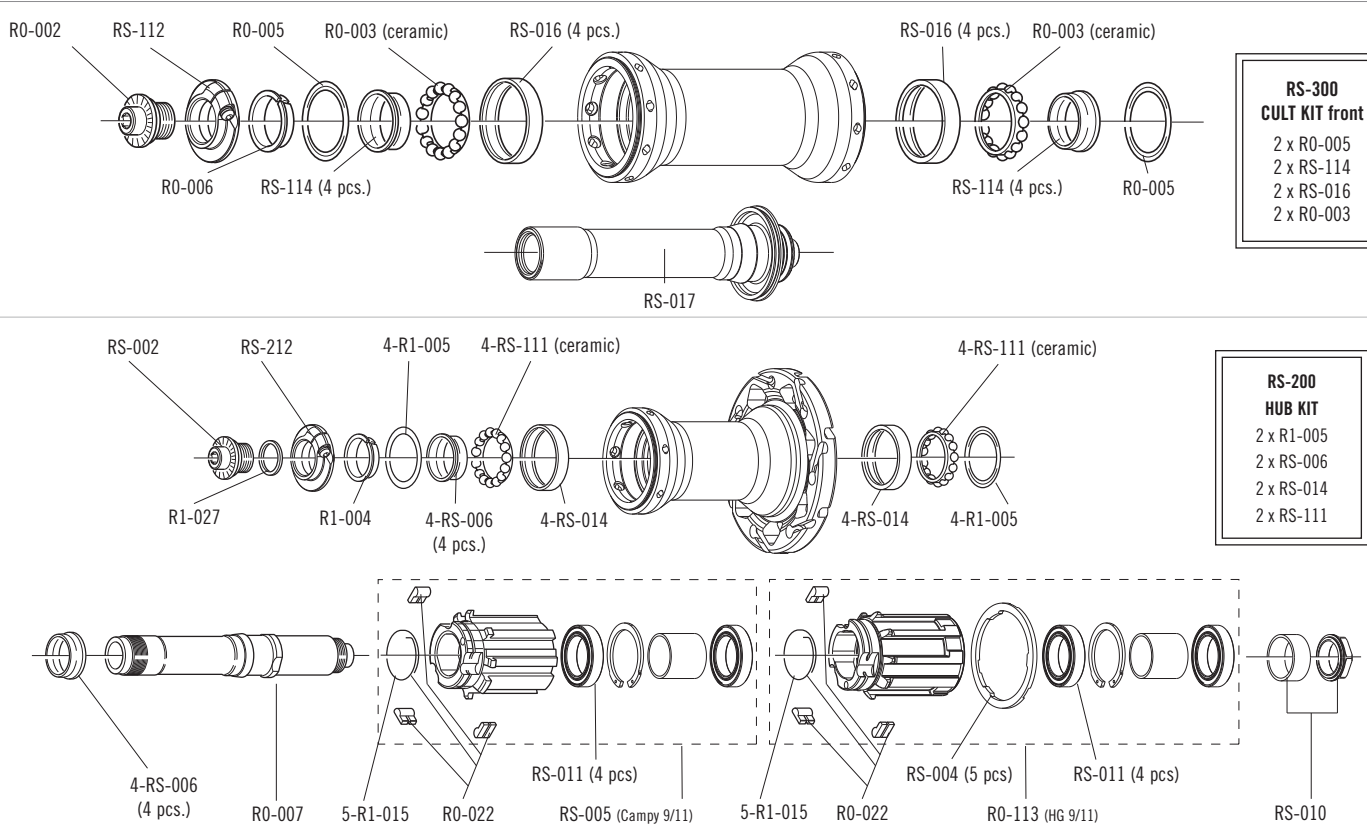
Spacer for HG11 FW body	RS-004	5 pcs - to be used only with 9/10s sprockets (HG11 FW body package contains the spacer)
-------------------------	--------	--

### ! WARNING!

Due to the high temperatures reached when braking, we recommend you use only glue for tubular tires specifically for carbon fibre rims.  
A causa delle alte temperature raggiunte in frenata, vi consigliamo di utilizzare solamente colla per tubolari che sia specifica per i soli cerchi in fibra di carbonio.

# SPEED™ 40T tubular

## HUBS/MOZZI



**RS-300 CULT KIT front**

- 2 x R0-005
- 2 x RS-114
- 2 x RS-016
- 2 x R0-003

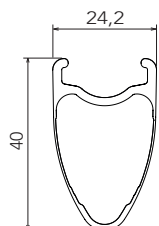
**RS-200 HUB KIT**

- 2 x R1-005
- 2 x RS-006
- 2 x RS-014
- 2 x RS-111

# SPEED™ 40C clincher

## RIMS & SPOKES/CERCHI E RAGGI

### RIM

	FRONT RIM	SPF-CR4018 (with labels)
	REAR RIM	SPR-CR4018 (with labels)
VALVE HOLE	6,5 mm	
VALVE HOLE BUSHING	RWX-014 (5 pcs)	
DIAMETER	622 mm x 17C	
BRAKE PADS	for carbon rims - BR-B0500 (for brakes with retention spring or interference fixing) - BR-B0500X1 (for brakes with screw fixing)	

### SPOKES

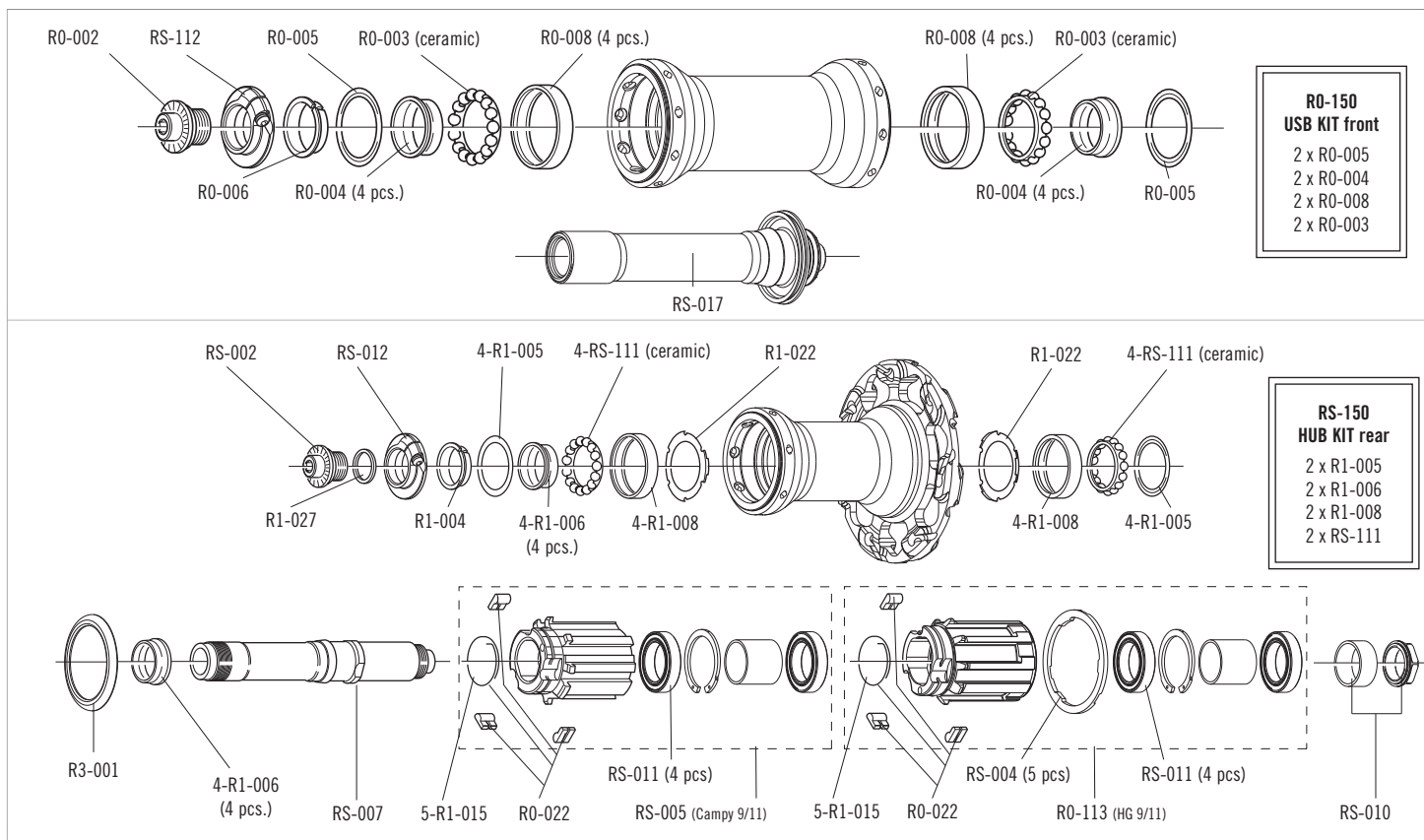
FRONT SPOKE	RS-01640	4 spokes + 4 nipples
REAR RIGHT SPOKE	RS-01840	4 spokes + 4 nipples
REAR LEFT SPOKE	RS-01940	4 spokes + 4 nipples
NIPPLES	RWX-B	black - 10 pcs
TOOL	T-11	magnet-attractor insert for nipple
TOOL	T-05	nipple-guide magnet
TOOL	T-18	spoke spanner
TOOL	T-02	spoke anti-rotation

### ACCESSORIES

Spacer for HG11 FW body	RS-004	5 pcs - to be used only with 9/10s sprockets (HG11 FW body package contains the spacer)
-------------------------	--------	--

# SPEED™ 40C clincher

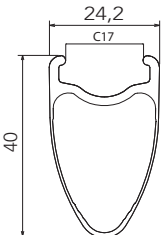
## HUBS/MOZZI



# WIND 40 / 400 CLINGER

## RIMS & SPOKES/CERCHI E RAGGI

### RIM

	<p>LABEL KIT VALVE HOLE VALVE HOLE BUSHING DIAMETER BRAKE SHOES</p>	<p>W40-LAB20 (front+rear Wind 40) - W400-LAB20 (front+rear Wind 400) 6,5 mm RWX-014 (for valve seat reduction - 5 pcs) 622 X 17C see "brake pads compatibility table" on <a href="http://www.fulcrumwheels.com">www.fulcrumwheels.com</a></p>
---	---	---

### SPOKES

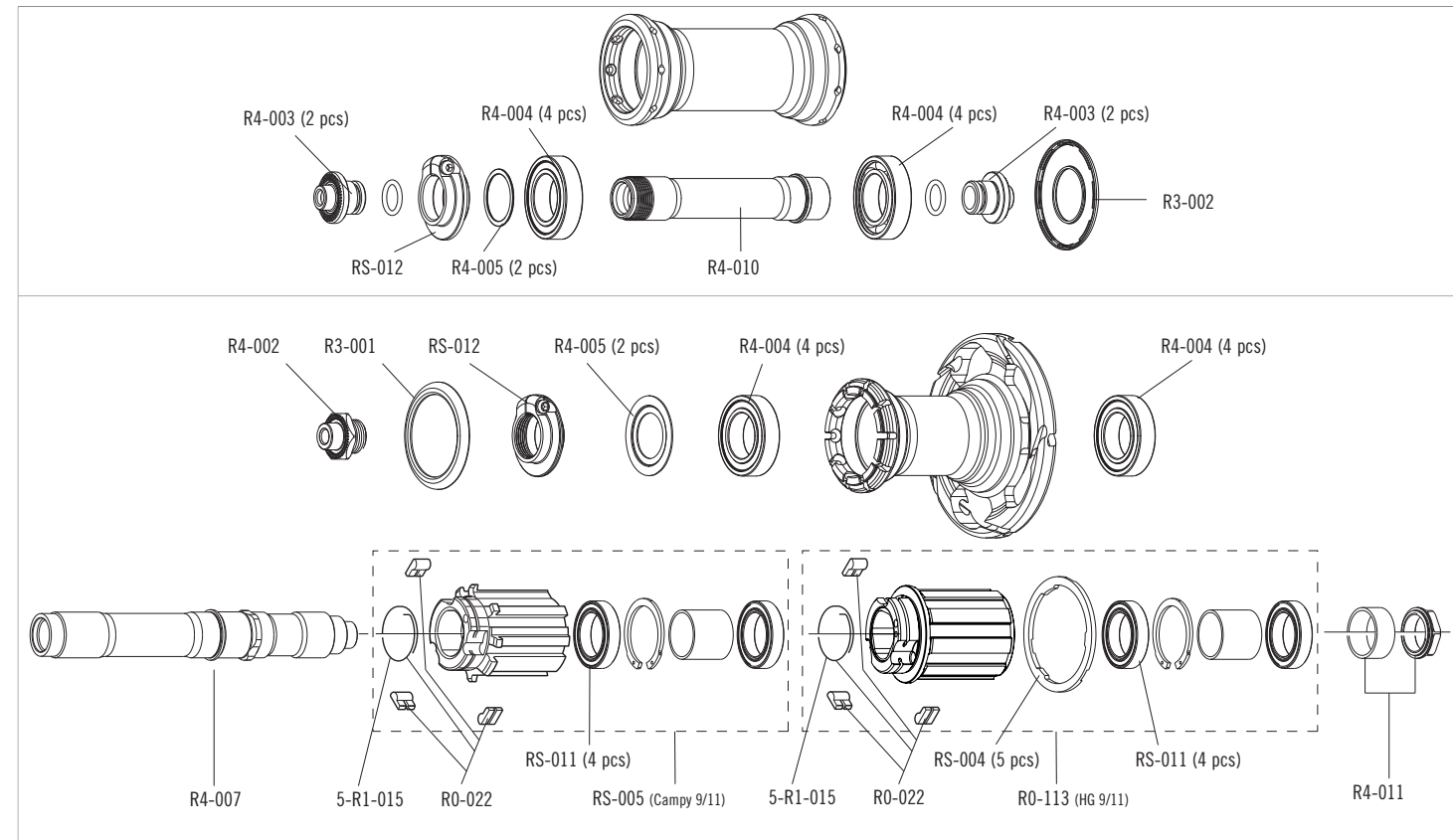
FRONT SPOKE	R4-016C	4 spokes + 4 nipples
REAR RIGHT SPOKE	R4-018C	4 spokes + 4 nipples
REAR LEFT SPOKE	R4-019C	4 spokes + 4 nipples
NIPPLES	RWX-B	50 pcs.

### ACCESSORIES

Spacer for HG11 FW body	RS-004	5 pcs - to be used only with 9/10s sprockets (HG11 FW body package contains the spacer)
-------------------------	--------	--

# WIND 40 / 400 CLINGER

## HUBS/MOZZI

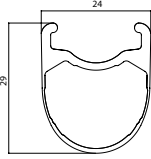


# RACING ZERO™ CARBON CLINCHER

DARK / BRIGHT

## RIMS & SPOKES/CERCHI E RAGGI

### RIM

	FRONT RIM	ROF-CRC31DK (DARK - with labels) - ROF-CRC31 (BRIGHT - with labels)
	REAR RIM	ROR-CRC31DK (DARK - with labels) - ROR-CRC31 (BRIGHT - with labels)
VALVE HOLE	6,5 mm	
VALVE HOLE BUSHING	RO-114 (for valve seat reduction - 5 pcs)	
DIAMETER	622 X 17C	
BRAKE PADS	for carbon rims - BR-B0500 (for brakes with retention spring or interference fixing) - BR-B0500X1 (for brakes with screw fixing)	

### SPOKES

COMPLETE FRONT KIT	ROF-SKB02	16 front spokes
COMPLETE REAR KIT	ROR-SKB02	14 rear right spokes + 7 rear left spokes
COMPLETE FRONT SPOKE	RO-016S (BRIGHT) - RO-016B (DARK)	spoke + nipple
COMPLETE REAR RIGHT SPOKE	RO-019C (BRIGHT) - RO-018B (DARK)	spoke + nipple
COMPLETE REAR LEFT SPOKE	RO-019S (BRIGHT) - RO-019B (DARK)	spoke + nipple
NIPPLES	RO-115S (BRIGHT) / RO-115B (DARK)	10 pcs
TOOL	T-02	spoke anti-rotation
TOOL	T-29	magnet-attractor insert for nipple
TOOL	T-05	nipple-guide magnet
TOOL	T-07	spoke spanner

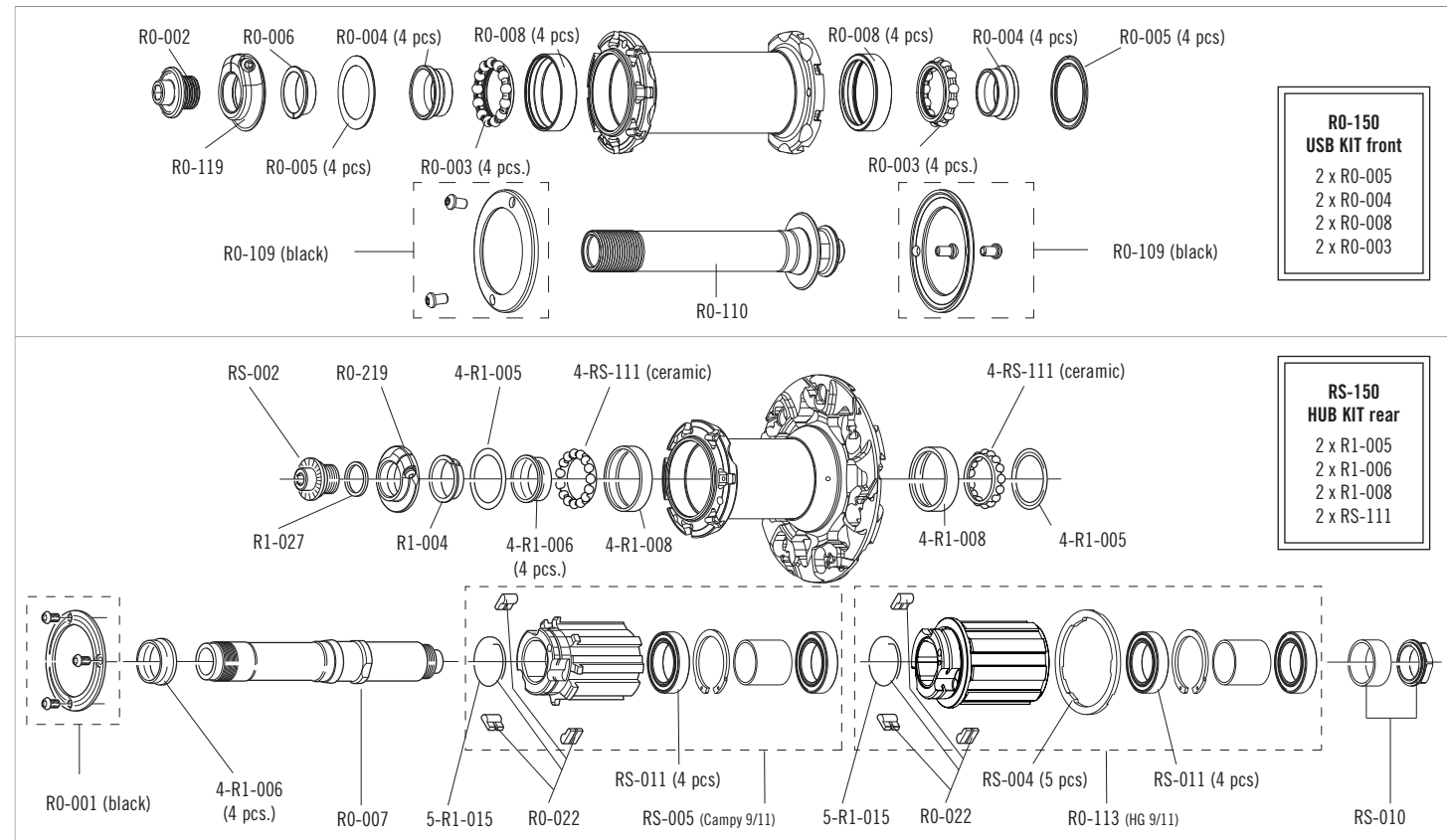
### ACCESSORIES

Spacer for HG11 FW body	RS-004	5 pcs - to be used only with 9/10s sprockets (HG11 FW body package contains the spacer)
-------------------------	--------	--

# RACING ZERO™ CARBON CLINCHER

DARK / BRIGHT

## HUBS/MOZZI





# RACING ZERO™ COMPETIZIONE 2WF

## RIMS & SPOKES/CERCHI E RAGGI

### RIM

	<p>FRONT RIM REAR RIM LABEL KIT VALVE HOLE 2-Way Fit VALVE™ VALVE HOLE BUSHING DIAMETER BRAKE PADS</p>	<p>R0F-2RB21 (no labels) R0R-2RB21 (no labels) R0-LAB172B (front+rear) 6,5 mm M1-035 5-R0-014 (for valve seat reduction - 5 pcs) 622 x 17C see "brake pads compatibility table" on <a href="http://www.fulcrumwheels.com">www.fulcrumwheels.com</a></p>
--	--	---

### SPOKES

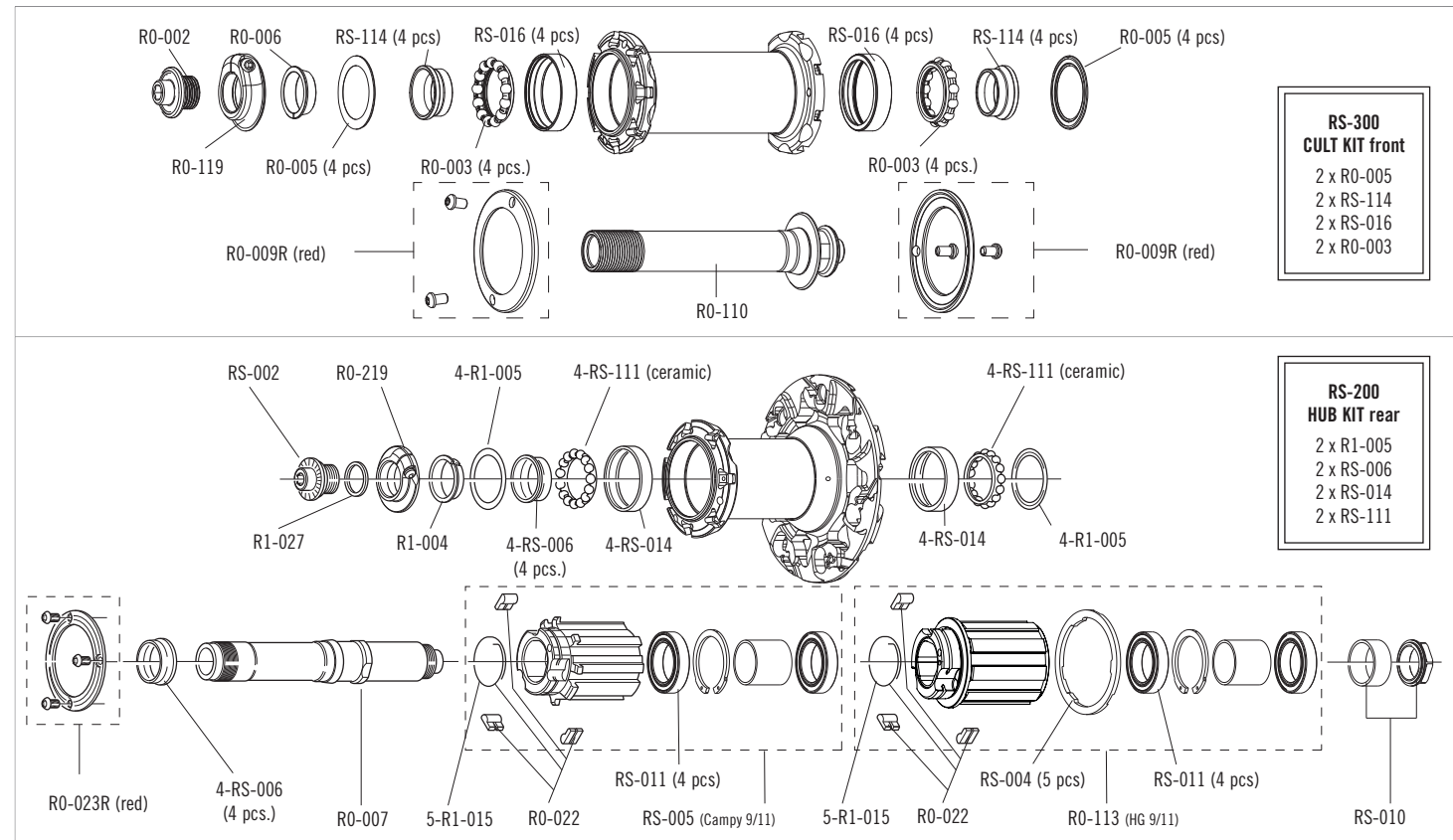
<p>COMPLETE FRONT KIT COMPLETE REAR KIT COMPLETE FRONT BLACK SPOKE COMPLETE REAR RIGHT BLACK SPOKE COMPLETE REAR LEFT BLACK SPOKE COMPLETE FRONT RED SPOKE COMPLETE REAR LEFT RED SPOKE NIPPLES TOOL TOOL TOOL TOOL</p>	<p>R0F-SK201 R0R-SK201 R0-117B R0-118B R0-119B R0-117R R0-119R R0-115 T-02 T-29 T-05 T-07</p>	<p>black&amp;red - 16 front spokes black&amp;red - 14 rear right spokes + 7 rear left spokes black - spoke + nipple black - spoke + nipple black - spoke + nipple red - spoke + nipple red - spoke + nipple 10 pcs spoke anti-rotation magnet-attractor insert for nipple nipple-guide magnet spoke spanner</p>
---	---	---

### ACCESSORIES

Spacer for HG11 FW body	RS-004	5 pcs - to be used only with 9/10s sprockets (HG11 FW body package contains the spacer)
-------------------------	--------	--

# RACING ZERO™ COMPETIZIONE 2WF

## HUBS/MOZZI



# RACING ZERO™ NITE CLINGER

## RIMS & SPOKES/CERCHI E RAGGI

### RIM

	FRONT RIM	R0F-CRN11 (no labels)
	REAR RIM	R0R-CRN11 (no labels)
	LABEL KIT	R0-LAB17CN (front+rear)
	VALVE HOLE	6,5 mm
	DIAMETER	622 X 17C
	BRAKE PADS	for rims with Plasma Electrolytic Oxidation treatment: BR-PE05001 (for brakes with retention spring fixing) - BR-PE0500X1 (for brakes with screw fixing)

### SPOKES

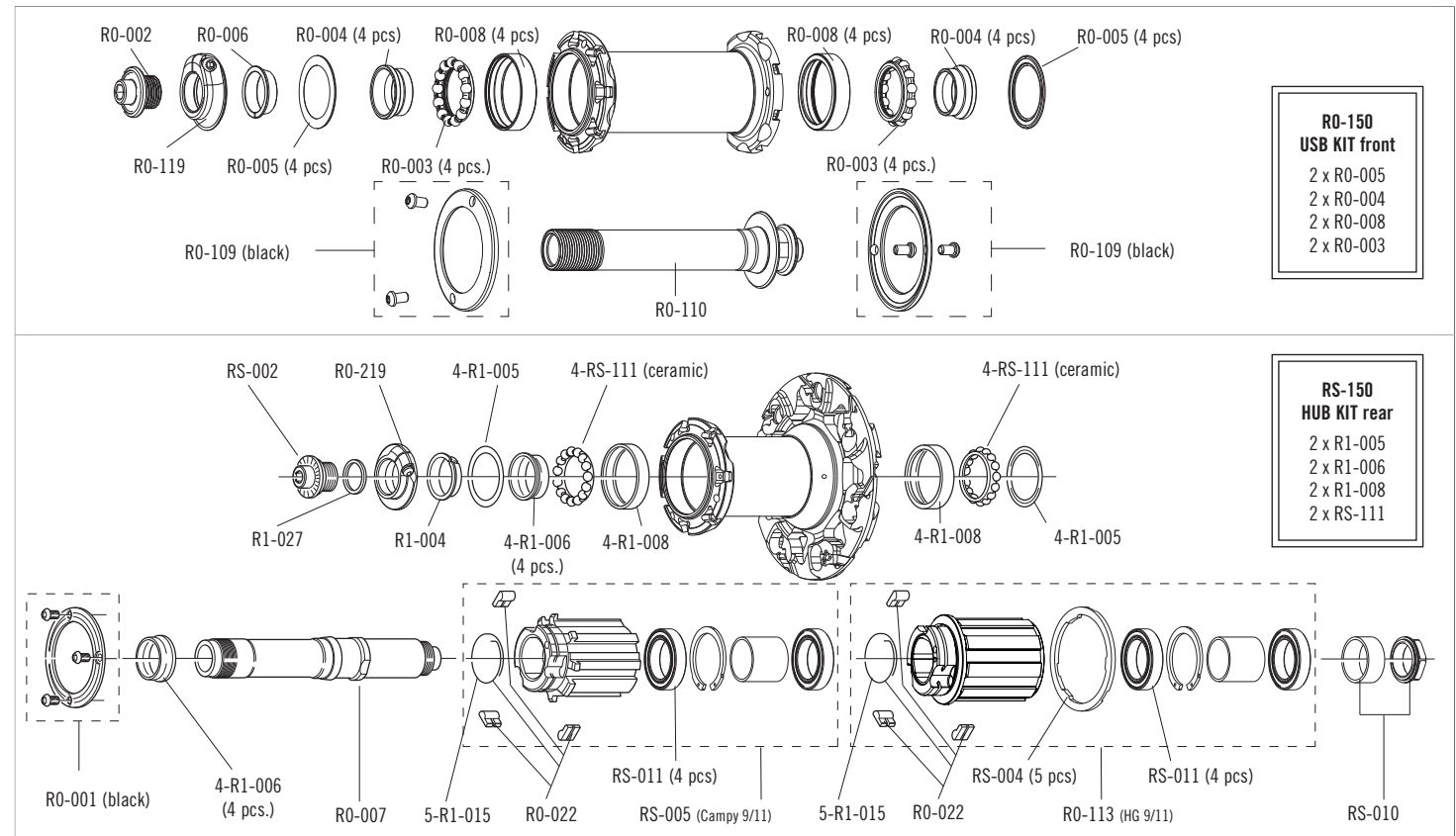
COMPLETE FRONT KIT	R0F-SKB21	16 front spokes
COMPLETE REAR KIT	R0R-SKB21	14 rear right spokes + 7 rear left spokes
COMPLETE FRONT	R0-117N	spoke + nipple
COMPLETE REAR RIGHT SPOKE	R0-118N	spoke + nipple
COMPLETE REAR LEFT SPOKE	R0-119N	spoke + nipple
NIPPLES	R0-215	10 pcs
TOOL	T-02	spoke anti-rotation
TOOL	T-29	magnet-attractor insert for nipple
TOOL	T-05	nipple-guide magnet
TOOL	T-07	spoke spanner

### ACCESSORIES

Spacer for HG11 FW body	RS-004	5 pcs - to be used only with 9/10s sprockets (HG11 FW body package contains the spacer)
-------------------------	--------	--

# RACING ZERO™ NITE CLINGER

## HUBS/MOZZI





# RACING ZERO™ CLINCHER

## RIMS & SPOKES/CERCHI E RAGGI

### RIM

	<p>FRONT RIM REAR RIM LABEL KIT VALVE HOLE DIAMETER BRAKE PADS</p>	<p>ROF-CRB21 (no labels) ROR-CRB21 (no labels) RO-LAB17CB (front+rear) 6,5 mm 622 X 17C see "brake pads compatibility table" on <a href="http://www.fulcrumwheels.com">www.fulcrumwheels.com</a></p>
--	--	--

### SPOKES

<p>COMPLETE FRONT KIT COMPLETE REAR KIT COMPLETE FRONT COMPLETE REAR RIGHT SPOKE COMPLETE REAR LEFT SPOKE NIPPLES TOOL TOOL TOOL TOOL</p>	<p>ROF-SKB21 ROR-SKB21 RO-117B RO-118B RO-119B RO-115 T-02 T-29 T-05 T-07</p>	<p>16 front spokes 14 rear right spokes + 7 rear left spokes spoke + nipple spoke + nipple spoke + nipple 10 pcs spoke anti-rotation magnet-attractor insert for nipple nipple-guide magnet spoke spanner</p>
---	---	---

### ACCESSORIES

<p>Spacer for HG11 FW body</p>	<p>RS-004</p>	<p>5 pcs - to be used only with 9/10s sprockets (HG11 FW body package contains the spacer)</p>
--------------------------------	---------------	--

# RACING ZERO™ CLINCHER

## HUBS/MOZZI

**RS-150  
USB KIT front**

- 2 x R0-005
- 2 x R0-004
- 2 x R0-008
- 2 x R0-003

**RS-150  
HUB KIT rear**

- 2 x R1-005
- 2 x R1-006
- 2 x R1-008
- 2 x RS-111

# RACING 3™ CLINCHER

## RIMS & SPOKES/CERCHI E RAGGI

### RIM

	<p>FRONT RIM REAR RIM LABEL KIT VALVE HOLE DIAMETER BRAKE PADS</p>	<p>R3F-CRB31 (with labels) R3R-CRB31 (with labels) R3-LAB18CB (front+rear) 6,5 mm 622 X 17C see "brake pads compatibility table" on <a href="http://www.fulcrumwheels.com">www.fulcrumwheels.com</a></p>
--	--	--

### SPOKES

COMPLETE FRONT SPOKE	R3-116	4 spokes + 4 nipples
COMPLETE REAR RIGHT SPOKE	R3-118	4 spokes + 4 nipples
COMPLETE REAR LEFT SPOKE	R3-119	4 spokes + 4 nipples
NIPPLES	R3-015	50 pcs
TOOL	T-28	magnet-attractor insert for nipple
TOOL	T-05	nipple-guide magnet
TOOL	T-02	spoke anti-rotation

### ACCESSORIES

Spacer for HG11 FW body	RS-004	5 pcs - to be used only with 9/10s sprockets (HG11 FW body package contains the spacer)
-------------------------	--------	--

# RACING 3™ CLINCHER

## HUBS/MOZZI

**R3-100 HUB KIT**  
 2 x R0-005  
 2 x R0-004  
 2 x R0-008  
 2 x R3-010

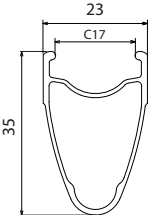
**RS-100 HUB KIT**  
 2 x R1-005  
 2 x R1-006  
 2 x R1-008  
 2 x R1-007

Labels in diagrams include: R0-002, RS-112, R0-005, R3-010 (4 pcs. - steel), R0-008 (4 pcs.), R0-006, R0-004 (4 pcs.), R0-008 (4 pcs.), R3-010 (4 pcs. - steel), R0-004 (4 pcs.), R0-005, RS-017, RS-002, R3-012, 4-R1-005, 4-R1-007 (steel), 4-R1-007 (steel), R1-027, R1-004, 4-R1-006 (4 pcs.), 4-R1-008, 4-R1-008, 4-R1-005, 4-R1-006 (4 pcs.), RS-007, 5-R1-015, R0-022, RS-005 (Campy 9/11), 5-R1-015, R0-022, S9-013 (HG 9/11), RS-011 (4 pcs.), RS-004 (5 pcs.), RS-011 (4 pcs.), RS-010.

# RACING 4™ / 400 CLINCHER

## RIMS & SPOKES/CERCHI E RAGGI

### RIM

	RIM-TAPE LABEL KIT VALVE HOLE DIAMETER BRAKE PADS	R5-RT01 (20.5 mm - 2 pcs) R4-LAB19 (front+rear) - R400-LAB19 (front+rear) 6,5 mm 622 X 17C see "brake pads compatibility table" on <a href="http://www.fulcrumwheels.com">www.fulcrumwheels.com</a>
---	---	---

### SPOKES

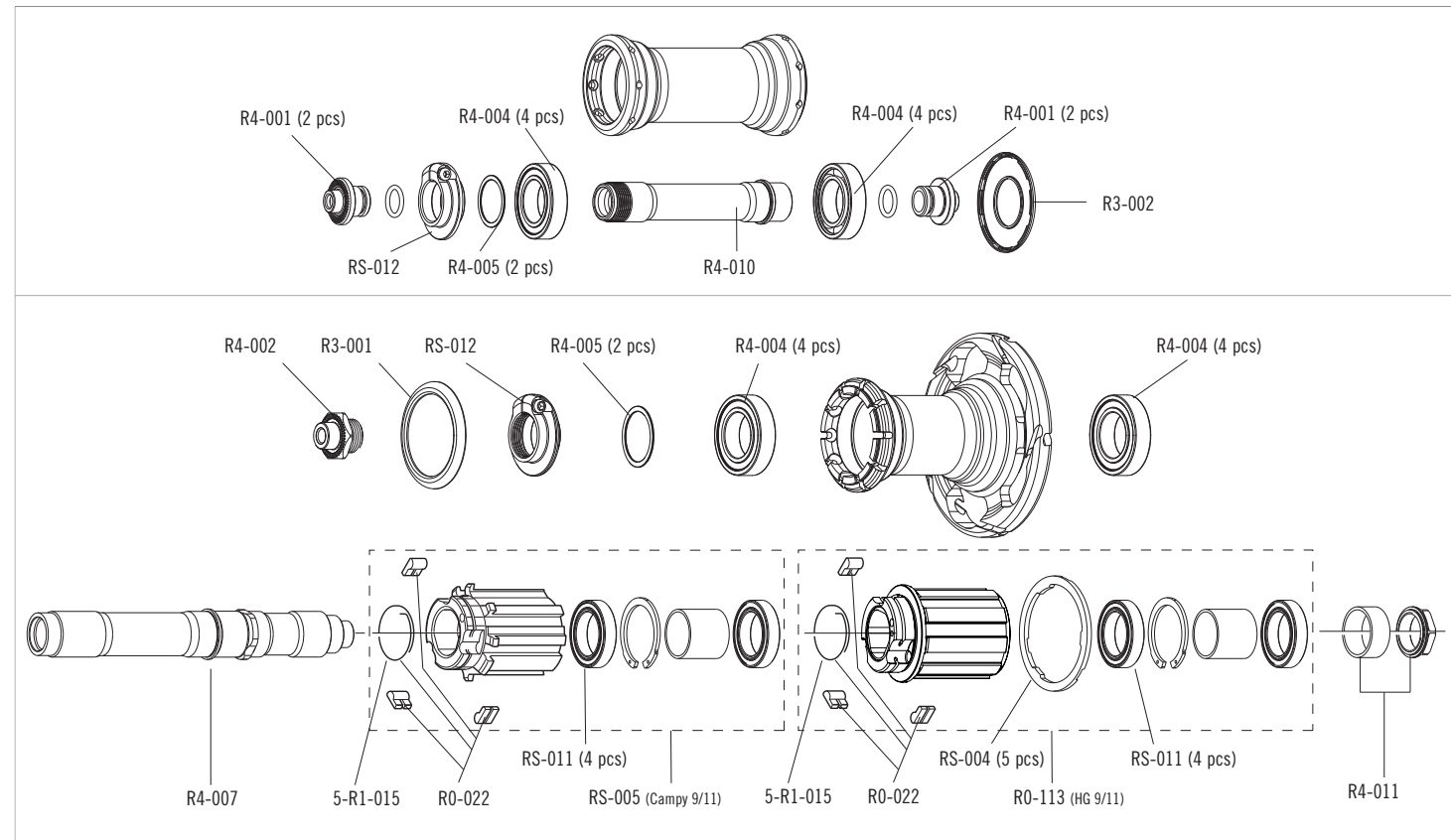
FRONT SPOKE	R4-116	4 spokes + 4 nipples
REAR RIGHT SPOKE	R4-118	4 spokes + 4 nipples
REAR LEFT SPOKE	R4-119	4 spokes + 4 nipples
NIPPLES	R5-B01	50 pcs.

### ACCESSORIES

Spacer for HG11 FW body	RS-004	5 pcs - to be used only with 9/10s sprockets (HG11 FW body package contains the spacer)
-------------------------	--------	--

# RACING 4™ / 400 CLINCHER

## HUBS/MOZZI



# RACING 5™ / 500 CLINCHER

## RIMS & SPOKES/CERCHI E RAGGI

### RIM

	<p>RIM-TAPE LABEL KIT VALVE HOLE DIAMETER BRAKE PADS</p>	<p>R5-RT01 (20,5 mm - 2 pcs) R5-LAB19 (front+rear) - R500-LAB19 (front+rear) 6,5 mm 622 X 17C see "brake pads compatibility table" on <a href="http://www.fulcrumwheels.com">www.fulcrumwheels.com</a></p>
--	--	--

### SPOKES

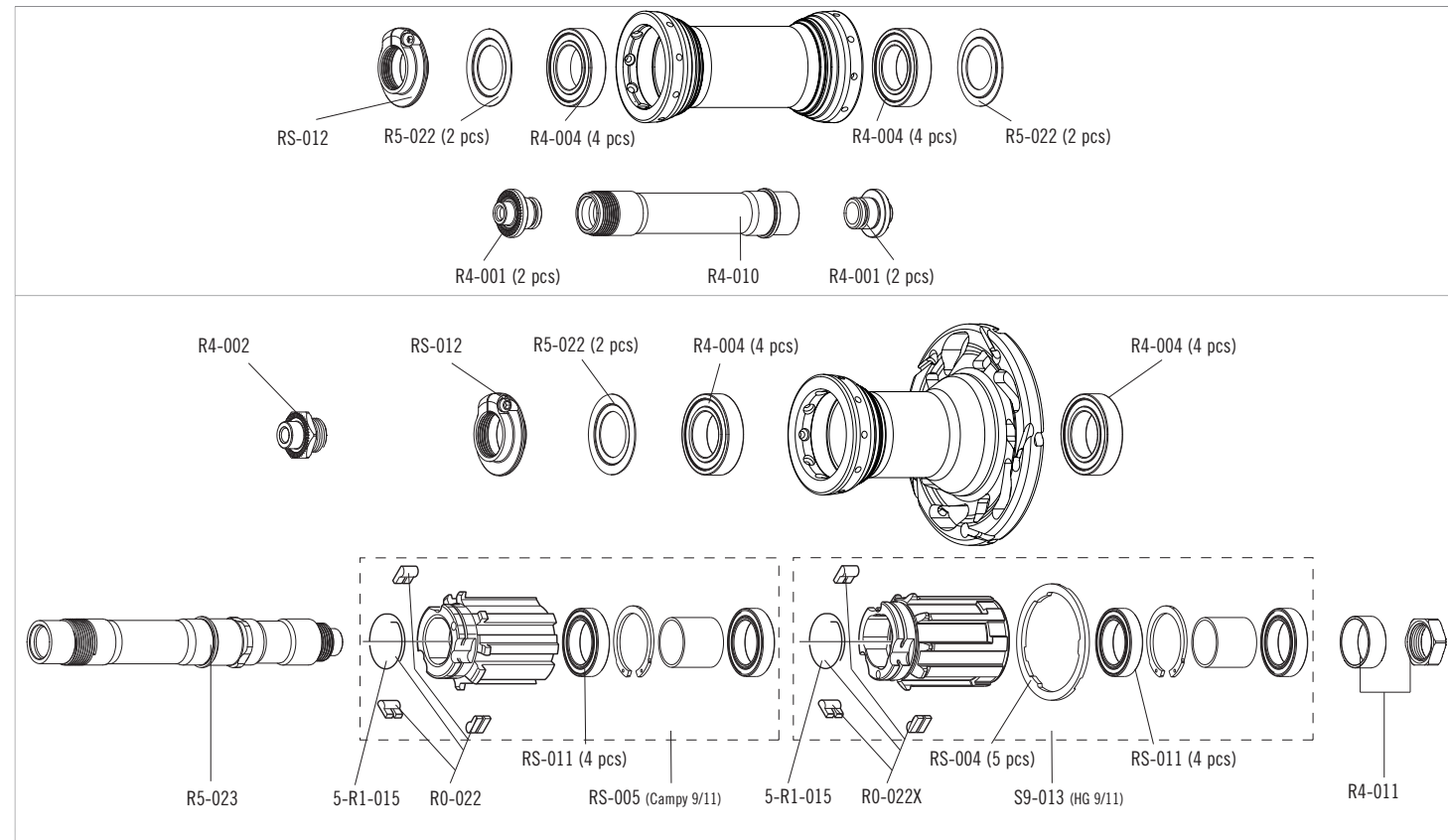
FRONT SPOKE	R5-416	4 spokes + 4 nipples
REAR RIGHT SPOKE	R5-418	4 spokes + 4 nipples
REAR LEFT SPOKE	R5-419	4 spokes + 4 nipples
NIPPLES	R5-B01	50 pcs

### ACCESSORIES

Spacer for HG11 FW body	RS-004	5 pcs - to be used only with 9/10s sprockets (HG11 FW body package contains the spacer)
-------------------------	--------	--

# RACING 5™ / 500 CLINCHER

## HUBS/MOZZI



# RACING 6™ / 600 CLINCHER

## RIMS & SPOKES/CERCHI E RAGGI

### RIM

	<p>RIM-TAPE LABEL KIT</p> <p>VALVE HOLE DIAMETER</p> <p>DIAMETER</p> <p>BRAKE PADS</p>	<p>R5-RT01 (20,5 mm - 2 pcs)</p> <p>R6-LAB19 (front+rear) - R600-LAB19 (front+rear)</p> <p>6,5 mm</p> <p>622 X 17C</p> <p>see "brake pads compatibility table" on <a href="http://www.fulcrumwheels.com">www.fulcrumwheels.com</a></p>
--	--	--

### SPOKES

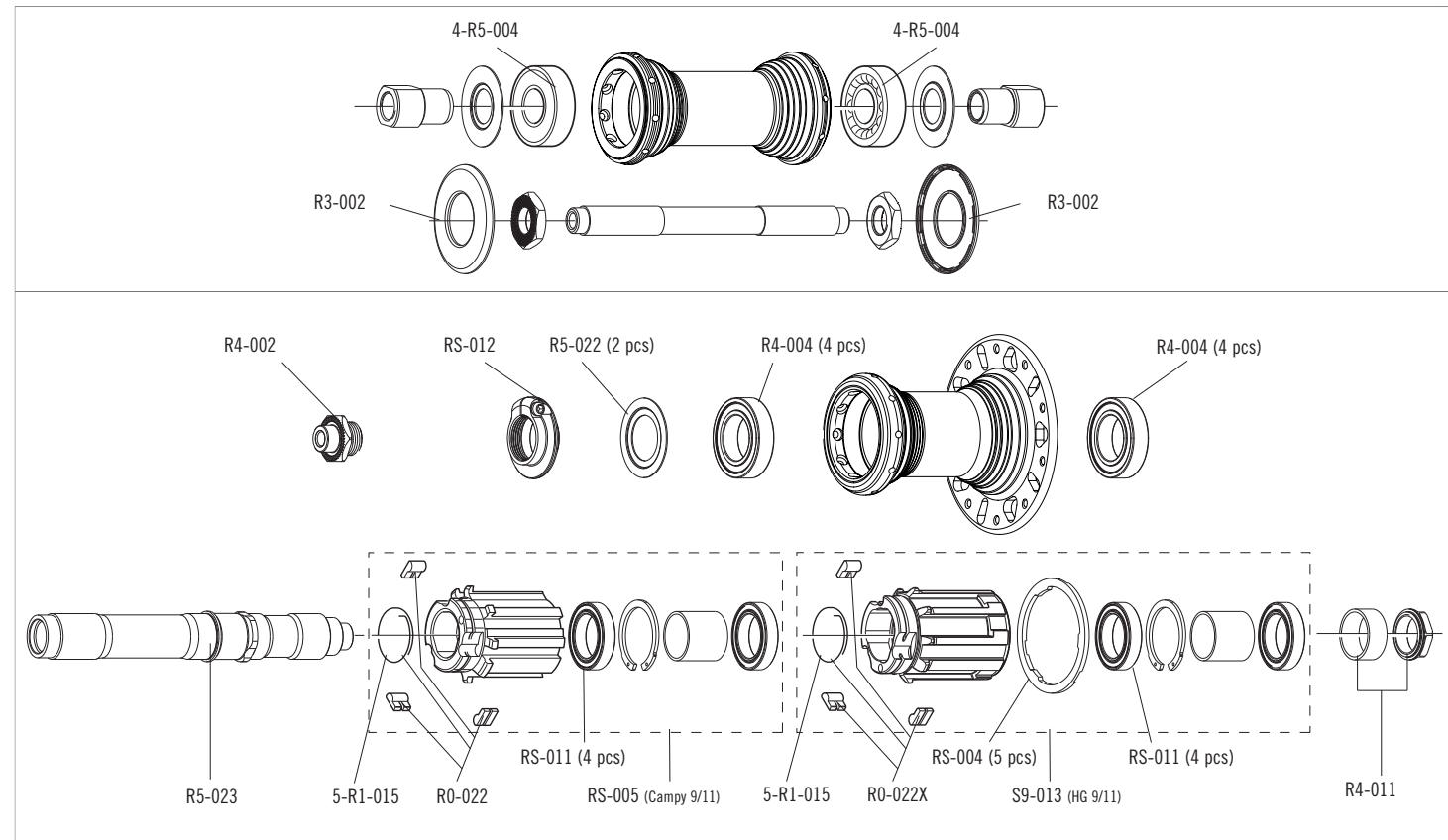
FRONT SPOKE	R6-016	4 spokes + 4 nipples
REAR RIGHT SPOKE	R6-018	4 spokes + 4 nipples
REAR LEFT SPOKE	R6-019	4 spokes + 4 nipples
NIPPLES	RZ7-B	50 pcs

### ACCESSORIES

Spacer for HG11 FW body	RS-004	5 pcs - to be used only with 9/10s sprockets <i>((HG11 FW body package contains the spacer))</i>
-------------------------	--------	---

# RACING 6™ / 600 CLINCHER

## HUBS/MOZZI



# RACING 900 CLINCHER

## RIMS & SPOKES/CERCHI E RAGGI

### RIM

		VALVE HOLE DIAMETER 6,5 mm 622 X 17C
--	--	--

### SPOKES

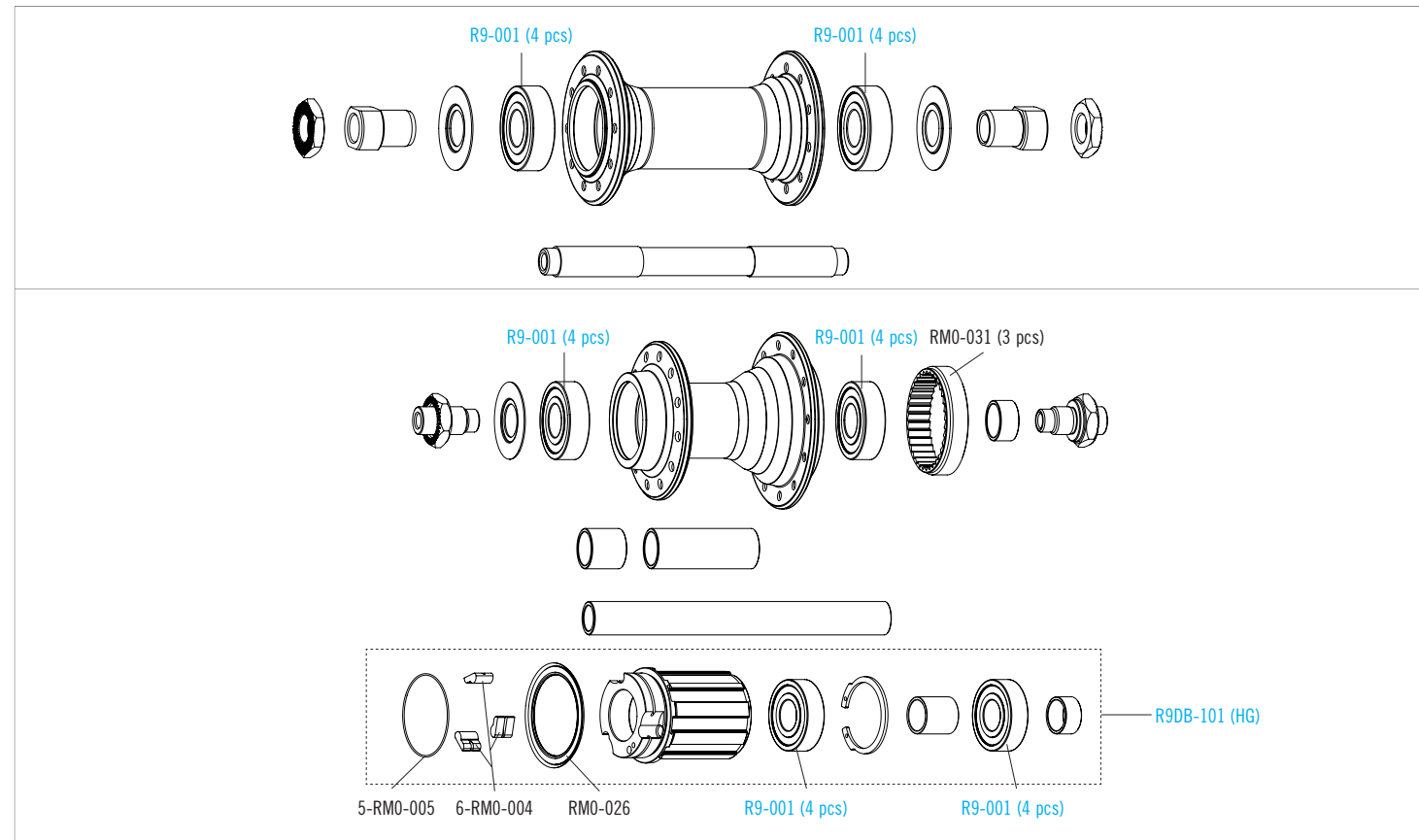
FRONT SPOKE L. 277 REAR RIGHT SPOKE L. 283.5 REAR LEFT SPOKE L. 272.5 NIPPLES	R9-016 R9-018 R9DB-019 50-R3-N	4 spokes + 4 nipples 4 spokes + 4 nipples 4 spokes + 4 nipples 50 pcs
--	---	--

### ACCESSORIES

Spacer for HG11 FW body	RS-004	5 pcs - to be used only with 9/10s sprockets <i>(HG11 FW body package contains the spacer)</i>
-------------------------	--------	---

# RACING 900 CLINCHER

## HUBS/MOZZI



# SPEED 360T™ tubular

## RIM & HUB / CERCHIO E MOZZO

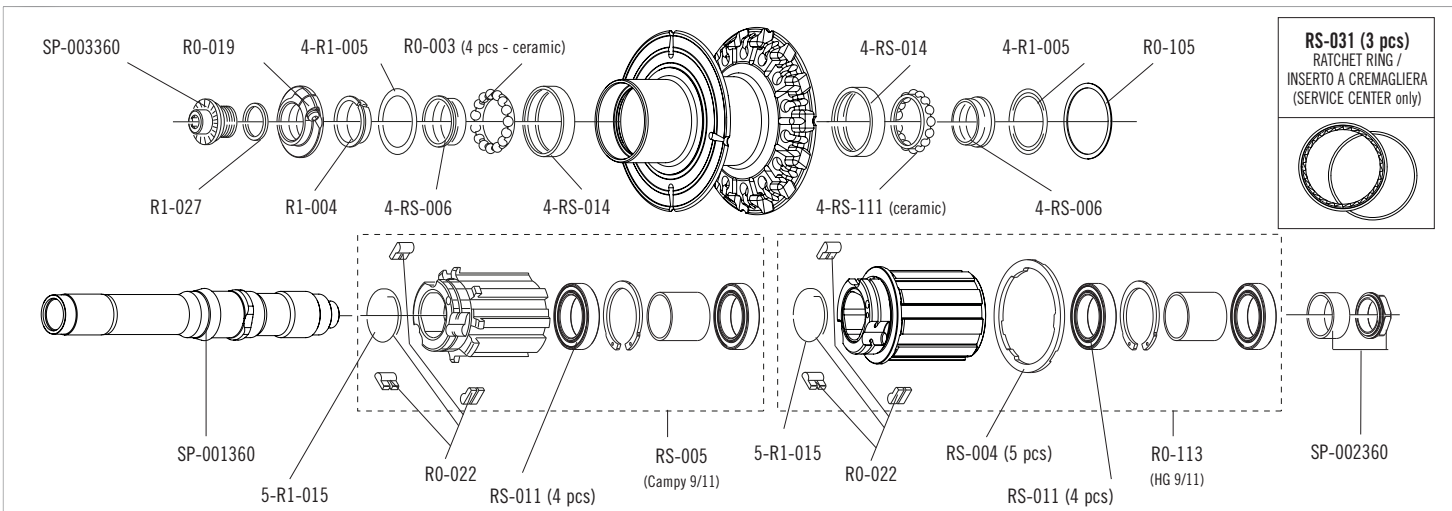
### RIM

LABEL FOR VALVE HOLE	RC-100 (5 pcs)
VALVE HOLE BUSHINGS	RWX-014 (5 pcs)
VALVE EXTENSION	T-15M (male valve extension)
BRAKE SHOES	for carbon rims - BR-B0500 (for brakes with retention spring or interference fixing) - BR-B0500X1 (for brakes with screw fixing)

### ACCESSORIES

Spacer for HG11 FW body	RS-004	5 pcs - to be used only with 9/10s sprockets (HG11 FW body package contains the spacer)
-------------------------	--------	--

### HUB



# VALVE EXTENSIONS

**NOTE:**  
USE AIR CHAMBERS (INNER TUBES) WITH A LONG VALVE (AT LEAST 35 mm).

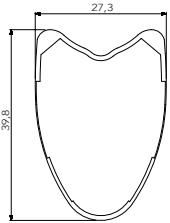
PROFILE RIM	MALE VALVE ADAPTER (SUPPLIED)		
RED WIND/RED WIND XLR H50	T-15M	L = 35 mm	
RED WIND/RED WIND XLR H80	T-16M	L = 65 mm	
RED WIND/RED WIND XLR H105	T-17M	L = 90 mm	
RACING SPEED XLR H80	T-19M	L = 74 mm	
PROFILE RIM	FEMALE VALVE ADAPTER (OPTION)		
RED WIND/RED WIND XLR H50	T-15F	L = 37 mm	
RED WIND/RED WIND XLR H80	T-16F	L = 67 mm	
RED WIND/RED WIND XLR H105	T-17F	L = 92 mm	
RACING SPEED XLR H80	T-19F	L = 80 mm	

# SPEED 40T DB tubular

AFS

## RIMS & SPOKES/CERCHI E RAGGI

### RIM

	FRONT/REAR RIM	RSDB-R40T19 (with labels)
	VALVE HOLE	6,5 mm
	VALVE HOLE BUSHING	RWX-014 (for valve seat reduction - 5 pcs)
	DIAMETER	622 x 26,5 mm

### SPOKES

FRONT LEFT / REAR RIGHT	RSDB-DS290	4 spokes + 4 nipples
FRONT RIGHT	RSDB-DS291	4 spokes + 4 nipples
REAR LEFT	RSDB-DS292	4 spokes + 4 nipples
NIPPLES	RWX-B	10 pcs.

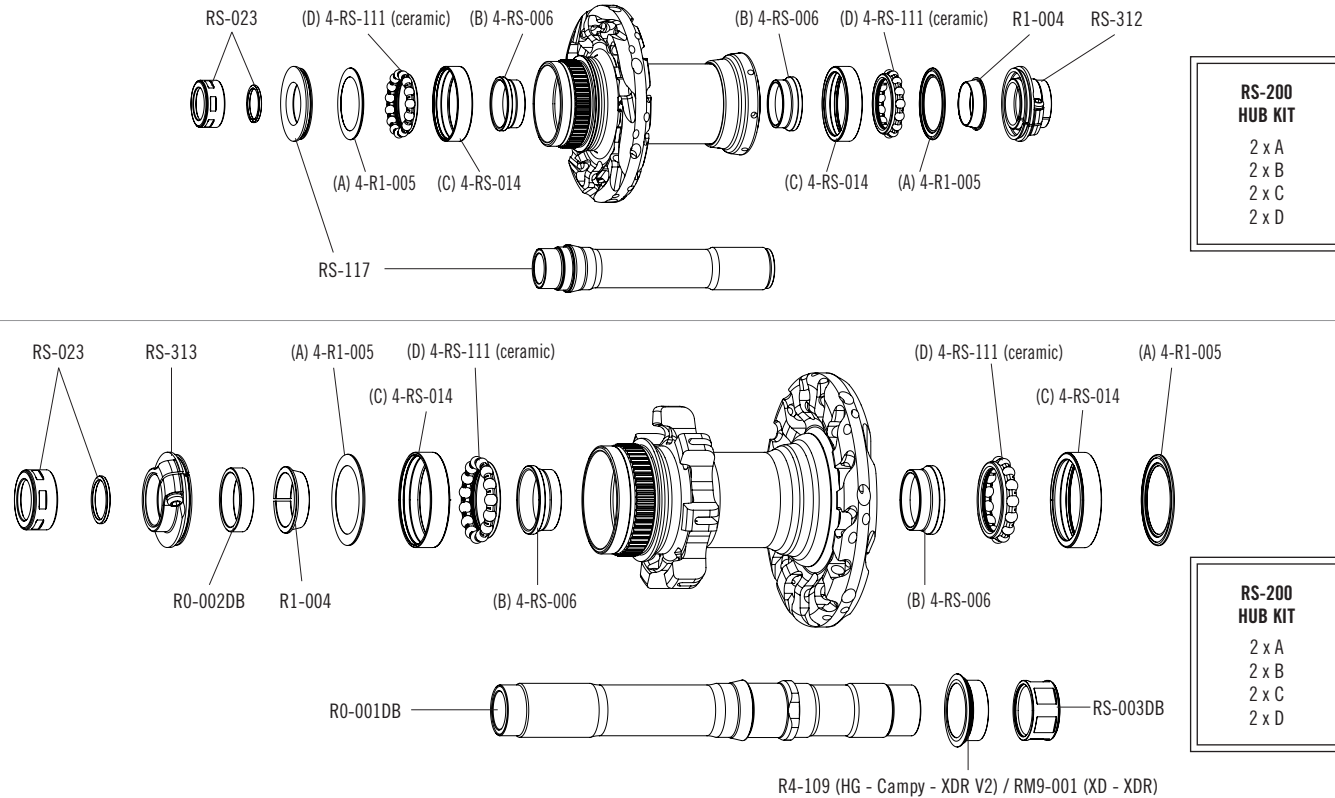
### ACCESSORIES

Spacer for HG11 FW body	RS-004	5 pcs - to be used only with 9/10s sprockets (HG11 FW body package contains the spacer)
-------------------------	--------	--

# SPEED 40T DB tubular

AFS

## HUBS/MOZZI



**RS-200 HUB KIT**  
 2 x A  
 2 x B  
 2 x C  
 2 x D

**RS-200 HUB KIT**  
 2 x A  
 2 x B  
 2 x C  
 2 x D

R4-109 (HG - Campy - XDR V2) / RM9-001 (XD - XDR)

Complete FW body / Corpetti RL completi

R0-113 (HG 9/11) - RS-005 (Campagnolo) - R0-123 (XDR) - R0-126 (XDR V2)

See exploded view pag. 82

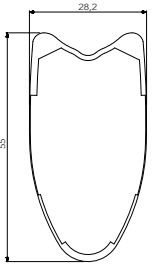


# SPEED 55T DB tubular

AFS

## RIMS & SPOKES/CERCHI E RAGGI

### RIM

	FRONT/REAR RIM	RSDB-R55T19 (with labels)
	VALVE HOLE VALVE HOLE BUSHING DIAMETER	6,5 mm RWX-014 (for valve seat reduction - 5 pcs) 622 x 26,5 mm

### SPOKES

FRONT LEFT / REAR RIGHT	RSDB-DS293	4 spokes + 4 nipples
FRONT RIGHT	RSDB-DS294	4 spokes + 4 nipples
REAR LEFT	RSDB-DS295	4 spokes + 4 nipples
NIPPLES	RWX-B	50 pcs.

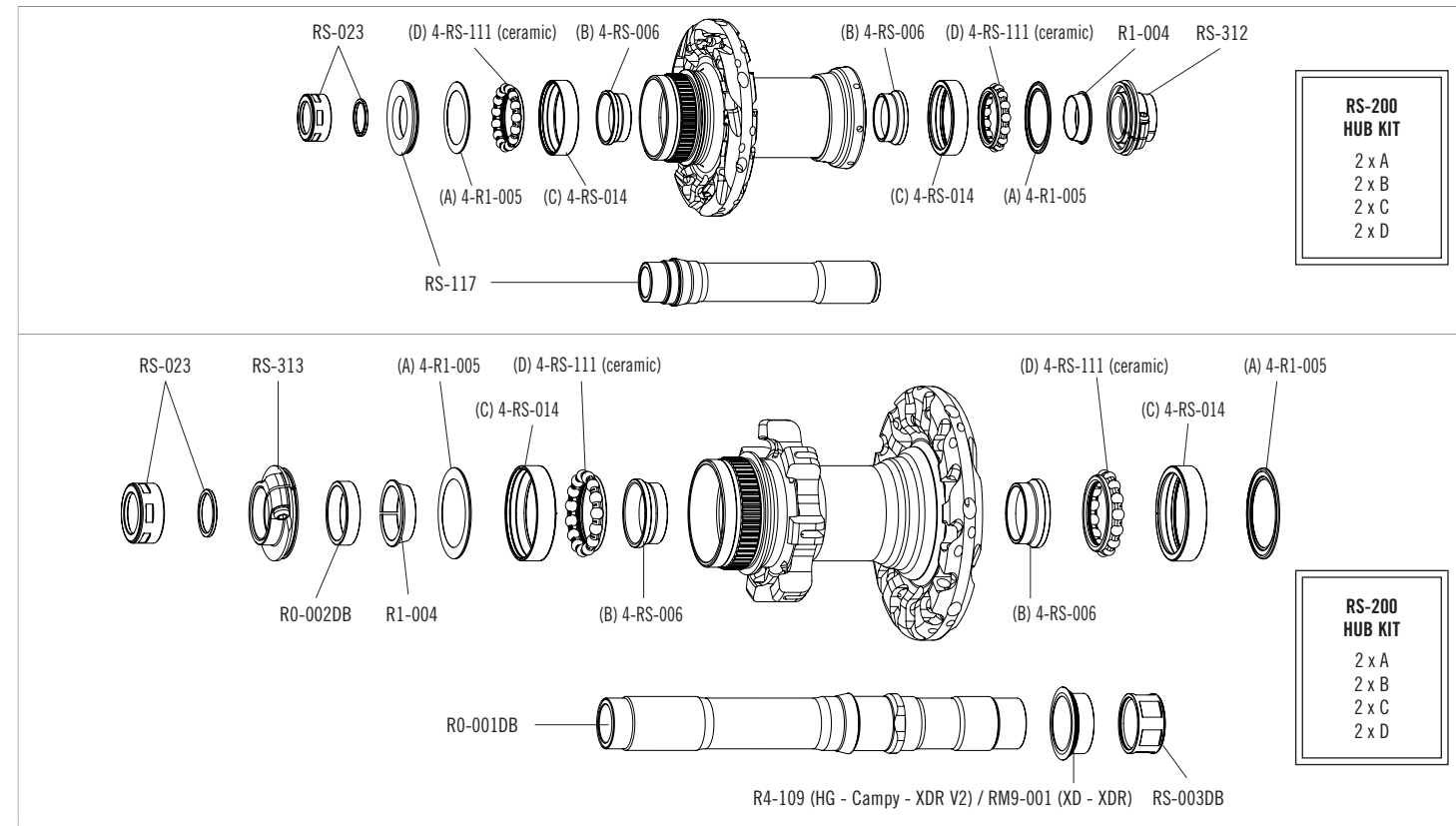
### ACCESSORIES

Spacer for HG11 FW body	RS-004	5 pcs - to be used only with 9/10s sprockets (HG11 FW body package contains the spacer)
-------------------------	--------	--

# SPEED 55T DB tubular

AFS

## HUBS/MOZZI



Complete FW body / Corpetti RL completi

R0-113 (HG 9/11) - RS-005 (Campagnolo) - R0-123 (XDR) - R0-126 (XDR V2)

See exploded view pag. 82

# SPEED 40 DB 2WF

AFS

## RIMS & SPOKES/CERCHI E RAGGI

### RIM

	<p>FRONT/REAR RIM VALVE HOLE BUSHINGS DIAMETER</p>	<p>SPDB-2WF40 (with labels) RWX-014 (5 pcs) 622 x C19</p>
---	--	---

### SPOKES

<p>FRONT LEFT / REAR RIGHT FRONT RIGHT REAR LEFT NIPPLES</p>	<p>RSDB-DS290 RSDB-DS291 RSDB-DS292 RWX-B</p>	<p>4 spokes + 4 nipples 4 spokes + 4 nipples 4 spokes + 4 nipples 10 pcs.</p>
--	---	---

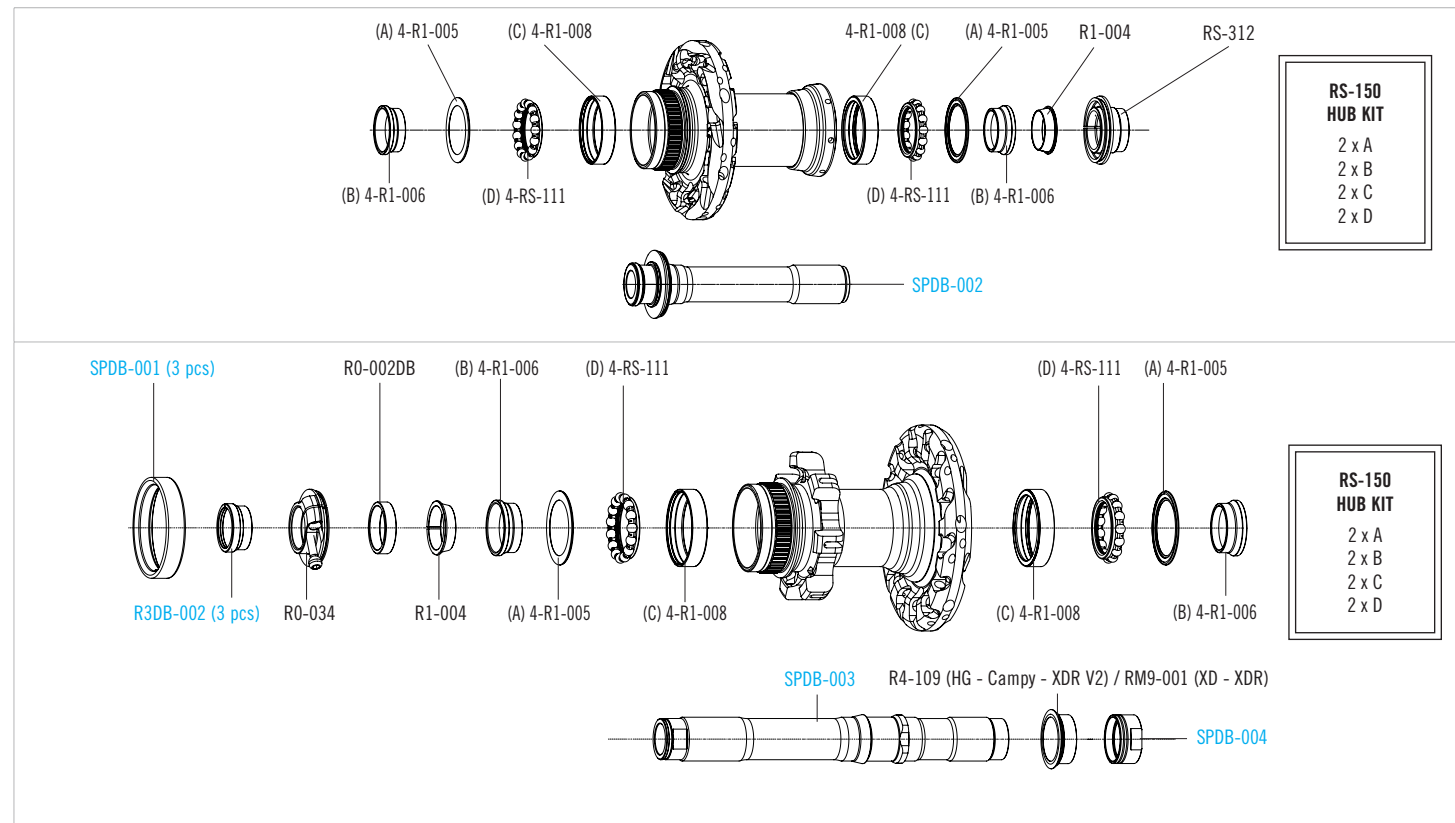
### ACCESSORIES

<p>Spacer for HG11 FW body</p>	<p>RS-004</p>	<p>5 pcs - to be used only with 9/10s sprockets (HG11 FW body package contains the spacer)</p>
--------------------------------	---------------	--

# SPEED 40 DB 2WF

AFS

## HUBS/MOZZI



Complete FW body / Corpetti RL completi

R0-113 (HG 9/11) - RS-005 (Campagnolo) - R0-123 (XDR) - R0-126 (XDR V2)

See exploded view pag. 82

# WIND 40 / 400 DB

AFS

## RIMS & SPOKES/CERCHI E RAGGI

### RIM

	<p>FRONT/REAR RIM LABEL KIT VALVE HOLE BUSHINGS DIAMETER</p>	<p>W40DB-FR20 (with labels) W40DB-LAB20 (front+rear Wind 40 DB) - W400DB-LAB20 (front+rear Wind 400 DB) RWX-014 (5 pcs) 622 x C19</p>
---	--	---

### SPOKES

<p>SPOKE L. 283,5 (front LH+rear RH) SPOKE L. 279,5 (front RH+rear LH) NIPPLES</p>	<p>W40DB-001 W40DB-002 RWX-B</p>	<p>4 spokes + 4 nipples 4 spokes + 4 nipples 10 pcs.</p>
--	--	--

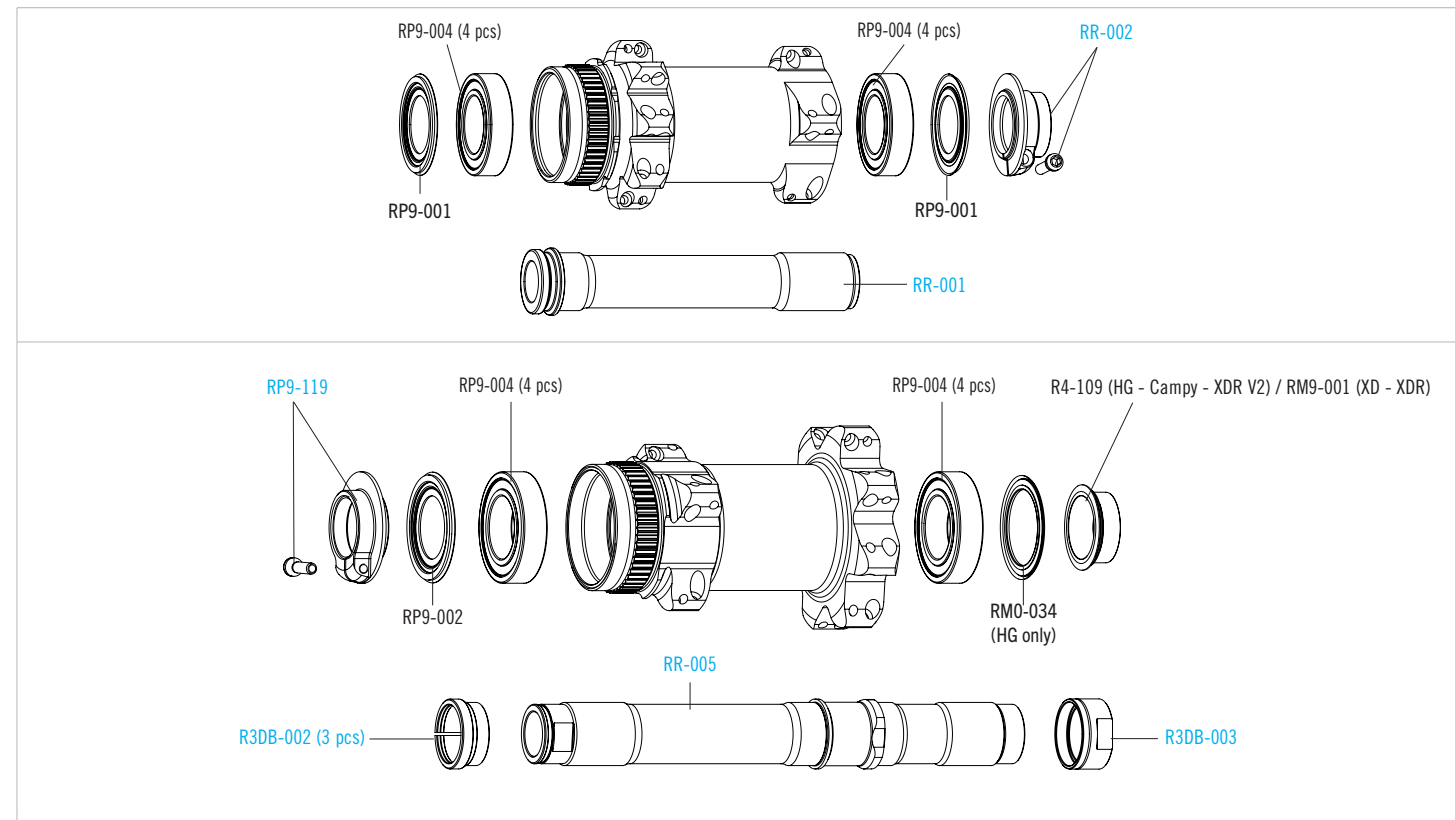
### ACCESSORIES

<p>Spacer for HG11 FW body</p>	<p>RS-004</p>	<p>5 pcs - to be used only with 9/10s sprockets (HG11 FW body package contains the spacer)</p>
--------------------------------	---------------	--

# WIND 40 / 400 DB

AFS

## HUBS/MOZZI



Complete FW body / Corpetti RL completi

R0-113 (HG 9/11) - RS-005 (Campagnolo) - R0-123 (XDR) - R0-126 (XDR V2)

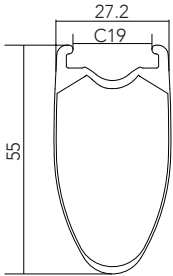
See exploded view pag. 82

# WIND 55 / 550 DB

AFS

## RIMS & SPOKES/CERCHI E RAGGI

### RIM

	<p>FRONT/REAR RIM LABEL KIT VALVE HOLE BUSHINGS DIAMETER</p>	<p>W55DB-FR20 (with labels) W55DB-LAB20 (front+rear Wind 55 DB) - W550DB-LAB20 (front+rear Wind 550 DB) RWX-014 (5 pcs) 622 x C19</p>
---	--	---

### SPOKES

<p>SPOKES (front LH+rear RH) SPOKES (front RH+rear LH) NIPPLES</p>	<p>W55DB-001 W55DB-002 RWX-B</p>	<p>4 spokes + 4 nipples 4 spokes + 4 nipples 10 pcs.</p>
--	--	--

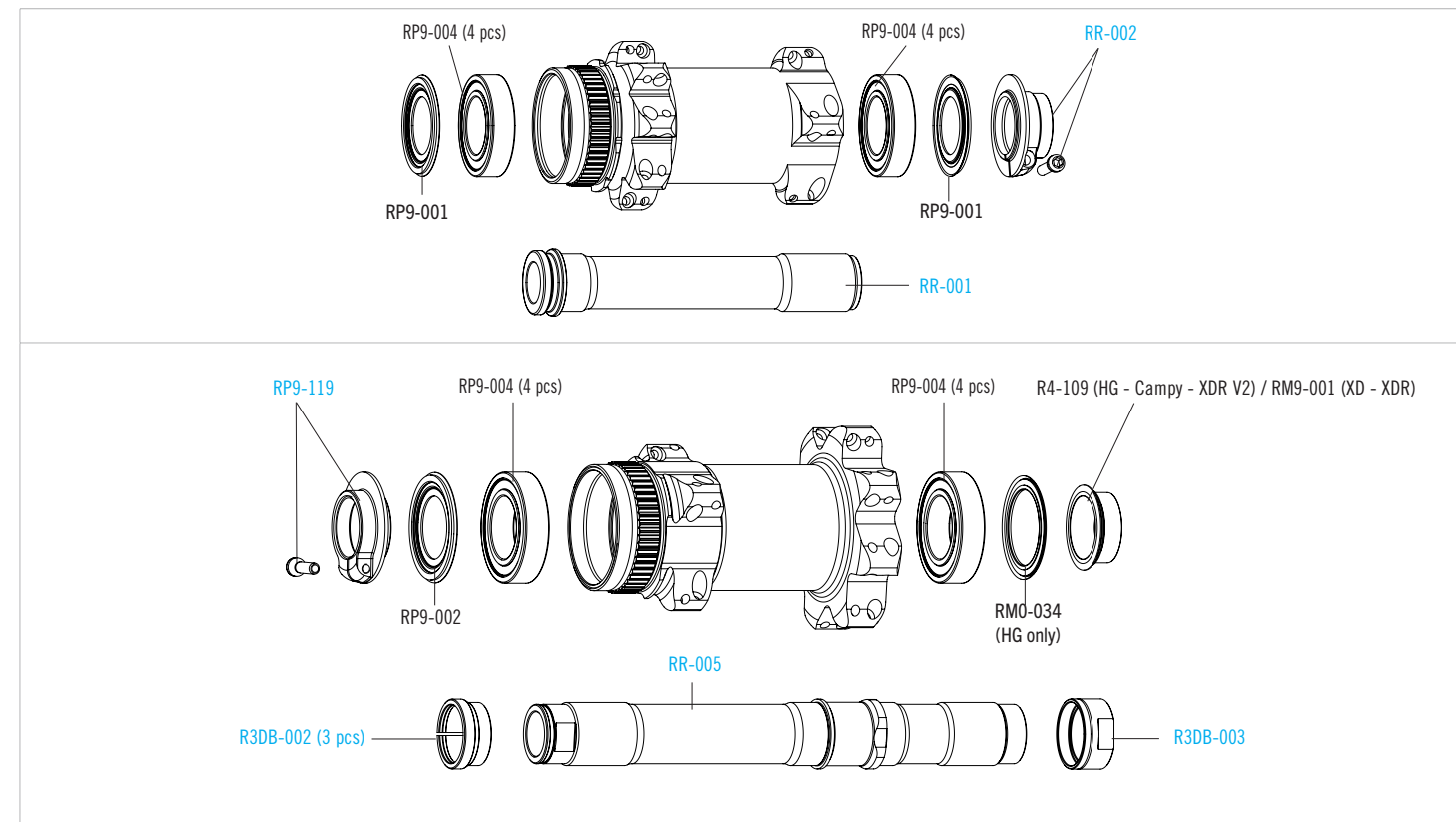
### ACCESSORIES

<p>Spacer for HG11 FW body</p>	<p>RS-004</p>	<p>5 pcs - to be used only with 9/10s sprockets (HG11 FW body package contains the spacer)</p>
--------------------------------	---------------	--

# WIND 55 / 550 DB

AFS

## HUBS/MOZZI



Complete FW body / Corpetti RL completi

R0-113 (HG 9/11) - RS-005 (Campagnolo) - R0-123 (XDR) - R0-126 (XDR V2)

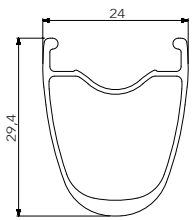
See exploded view pag. 82

# RACING ZERO DB

AFS

## RIMS & SPOKES/CERCHI E RAGGI

### RIM

	<p>FRONT/REAR RIM LABEL KIT VALVE HOLE VALVE HOLE BUSHING DIAMETER</p>	<p><b>R0F-CR02DB</b> <b>R0-LAB20DB</b> 6 mm R0-114 (for valve seat reduction - 5 pcs) 622 x C19</p>
---	--	---

### SPOKES

<p>COMPLETE FRONT KIT COMPLETE REAR KIT FRONT LEFT/REAR RIGHT FRONT RIGHT REAR LEFT NIPPLES</p>	<p>R0F-SKB31 R0R-SKB31 R0-217B R0-216B R0-219B R0DB-N1</p>	<p>14 left + 7 rear 7 left + 14 rear 1 spokes + 1 nipples 1 spokes + 1 nipples 1 spokes + 1 nipples 10 pcs.</p>
---	--	---

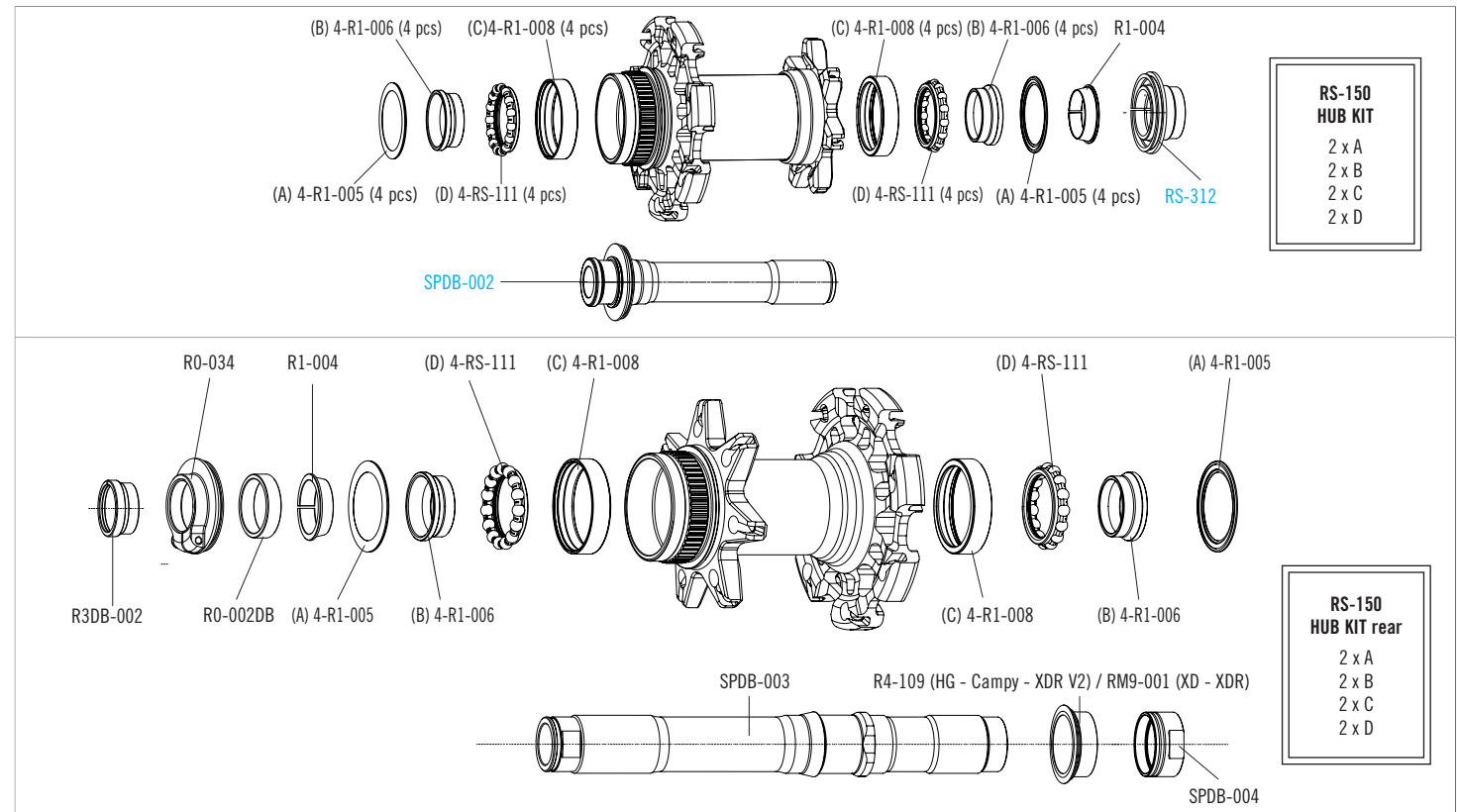
### ACCESSORIES

<p>Spacer for HG11 FW body</p>	<p>RS-004</p>	<p>5 pcs - to be used only with 9/10s sprockets (HG11 FW body package contains the spacer)</p>
--------------------------------	---------------	--

# RACING ZERO DB

AFS

## HUBS/MOZZI



Complete FW body / Corpetti RL completi

**R0-113** (HG 9/11) - **RS-005** (Campagnolo) - **R0-123** (XDR) - **R0-126** (XDR V2)

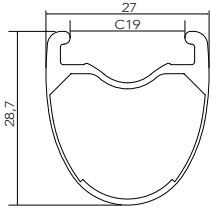
See exploded view pag. 82

# RACING ZERO CARBON DB

AFS

## RIMS & SPOKES/CERCHI E RAGGI

### RIM

	FRONT RIM	ROCDB-F011
	REAR RIM	ROCDB-R011
	VALVE HOLE	6 mm
	VALVE HOLE BUSHING	R0-114 (for valve seat reduction - 5 pcs)
	DIAMETER	622 x C19

### SPOKES

COMPLETE FRONT KIT	ROCDB-F001	14 left + 7 rear
COMPLETE REAR KIT	ROCDB-R002	7 left + 14 rear
FRONT LEFT/REAR RIGHT	ROCDB-003	1 spokes + 1 nipples
FRONT RIGHT	ROCDB-004	1 spokes + 1 nipples
REAR LEFT	ROCDB-005	1 spokes + 1 nipples
NIPPLES	R0-115B	10 pcs.

### ACCESSORIES

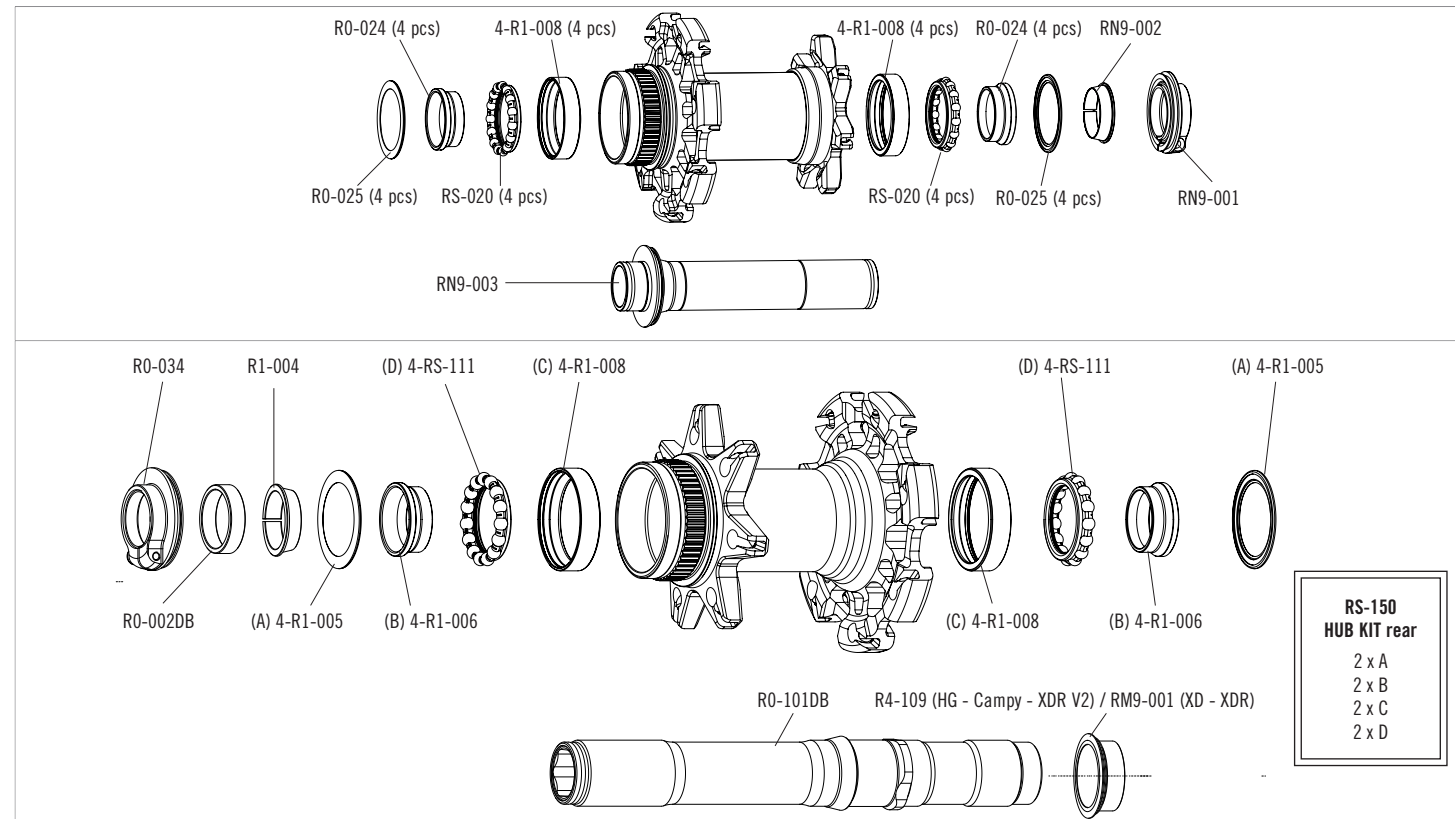
Spacer for HG11 FW body	RS-004	5 pcs - to be used only with 9/10s sprockets (HG11 FW body package contains the spacer)
-------------------------	--------	--

**ADAPTERS FOR FRONT AND REAR AXLES ON PAGE 84**

# RACING ZERO CARBON DB

AFS

## HUBS/MOZZI



Complete FW body / Corpetti RL completi

R0-113 (HG 9/11) - RS-005 (Campagnolo) - R0-123 (XDR) - R0-126 (XDR V2)

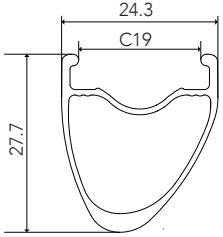
See exploded view pag. 82

# RACING 3 DB

AFS

## RIMS & SPOKES/CERCHI E RAGGI

### RIM

	<p>FRONT/REAR RIM LABEL KIT VALVE HOLE <b>VALVE ADAPTER R3 DB</b> DIAMETER</p>	<p>R3DB-CR01 R3DB-LAB19 6 mm R3DB-001 (2 pcs) 622 x C19</p>
---	--	---

### SPOKES

<p>FRONT RIGHT FRONT LEFT/REAR RIGHT REAR LEFT NIPPLES</p>	<p>R3DB-016 R3DB-017 R3DB-018 RWX-B (10 pcs)</p>	<p>4 spokes + 4 nipples 4 spokes + 4 nipples 4 spokes + 4 nipples 10 pcs.</p>
--	--	---

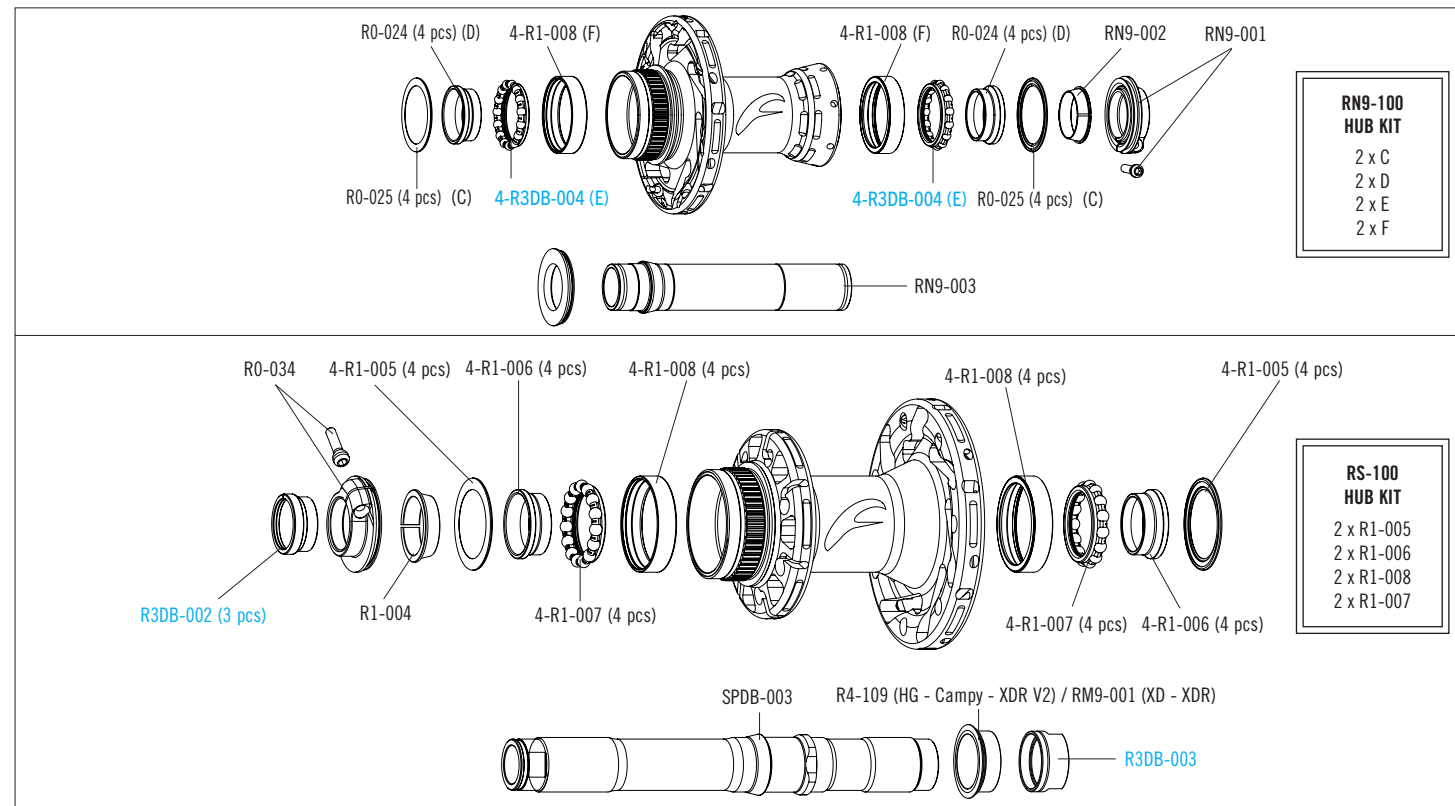
### ACCESSORIES

<p>Spacer for HG11 FW body</p>	<p>RS-004</p>	<p>5 pcs - to be used only with 9/10s sprockets (HG11 FW body package contains the spacer)</p>
<p><b>ADAPTERS FOR FRONT AND REAR AXLES ON PAGE 84</b></p>		

# RACING 3 DB

AFS

## HUBS/MOZZI



Complete FW body / Corpetti RL completi

R0-113 (HG 9/11) - RS-005 (Campagnolo) - R0-123 (XDR) - R0-126 (XDR V2)

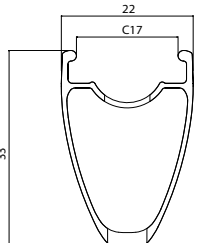
See exploded view pag. 82

# RACING 4™ DB CLINCHER

AFS

## RIMS & SPOKES/CERCHI E RAGGI

### RIM

	RIM-TAPE LABEL KIT VALVE HOLE DIAMETER	2-S9-RT (22.5 mm - 2 pcs) R4-LAB18D (front+rear) - R400-LAB18D (front+rear) 6,5 mm 622 X 17C
---	---	---

### SPOKES

SPOKE L. 281 (front RH)	R4F-DS281	4 spokes + 4 nipples
SPOKE L. 285 (front LH+rear RH)	R4F-DS285	4 spokes + 4 nipples
SPOKE L. 282 (rear LH)	R4R-DS282	4 spokes + 4 nipples
NIPPLES	R5-B01	50 pcs

### ACCESSORIES

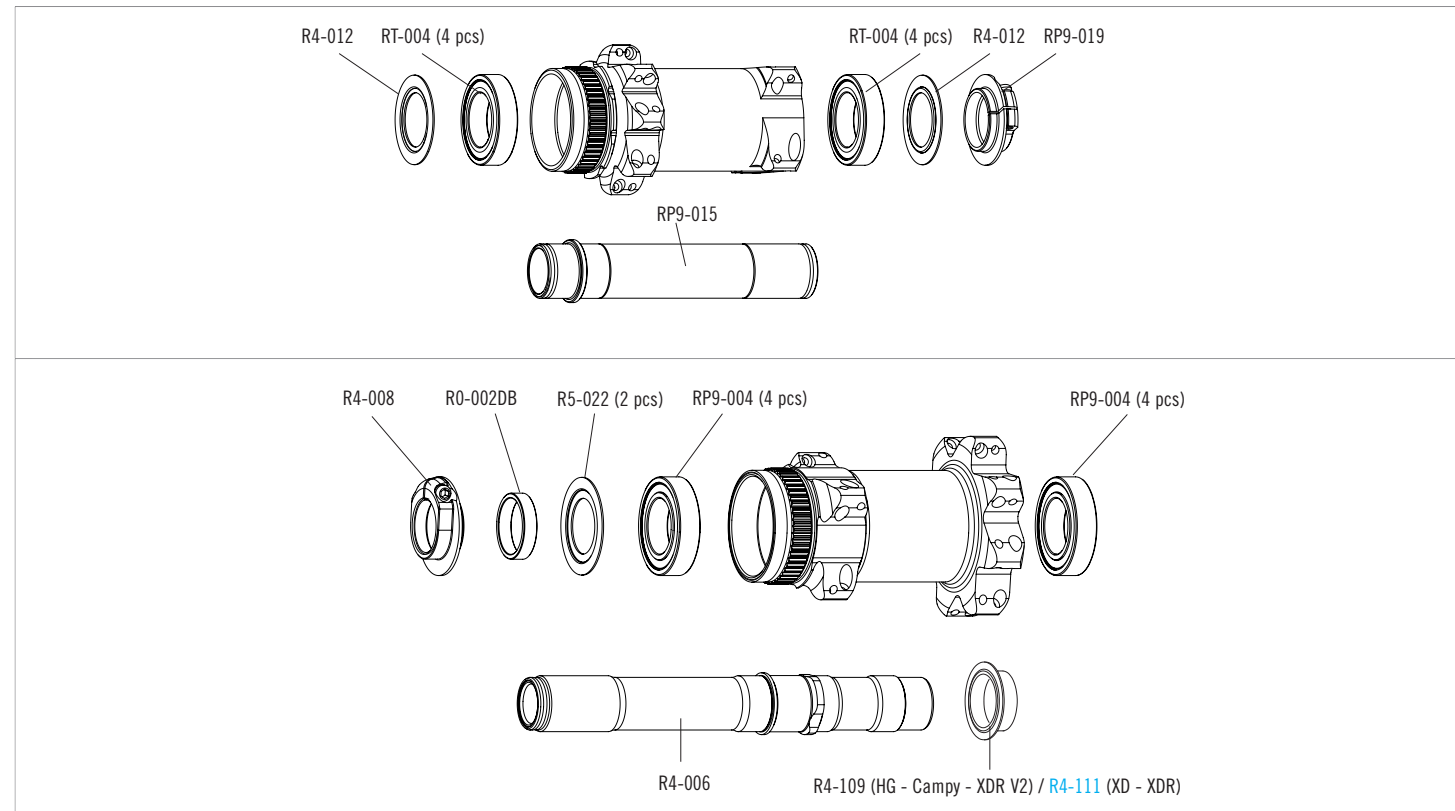
Spacer for HG11 FW body	RS-004	5 pcs - to be used only with 9/10s sprockets <i>(HG11 FW body package contains the spacer)</i>
KIT QR + QUICK RELEASE - FRONT	R5-QF16K	for front wheel - adapters + quick-release skewer
KIT QR + QUICK RELEASE - REAR	R5-QR16K	for rear wheel - adapters + quick-release skewer

**ADAPTERS FOR FRONT AND REAR AXLES ON PAGE 84**

# RACING 4™ DB CLINCHER

AFS

## HUBS/MOZZI



Complete FW body / Corpetti RL completi

**R0-113** (HG 9/11) - **RS-005** (Campagnolo) - **R0-123** (XDR) - **R0-126** (XDR V2)

See exploded view pag. 82

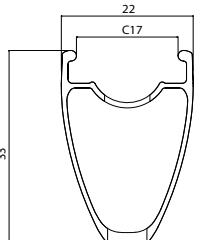


# RACING 400 DB CLINCHER

AFS

## RIMS & SPOKES/CERCHI E RAGGI

### RIM

	<p>RIM-TAPE LABEL KIT VALVE HOLE DIAMETER</p>	<p>2-S9-RT (22.5 mm - 2 pcs) R4-LAB18D (front+rear) - R400-LAB18D (front+rear) 6,5 mm 622 X 17C</p>
---	---	---

### SPOKES

SPOKE L. 281 (front RH)	R4F-DS281	4 spokes + 4 nipples
SPOKE L. 285 (front LH+rear RH)	R4F-DS285	4 spokes + 4 nipples
SPOKE L. 282 (rear LH)	R4R-DS282	4 spokes + 4 nipples
NIPPLES	R5-B01	50 pcs

### ACCESSORIES

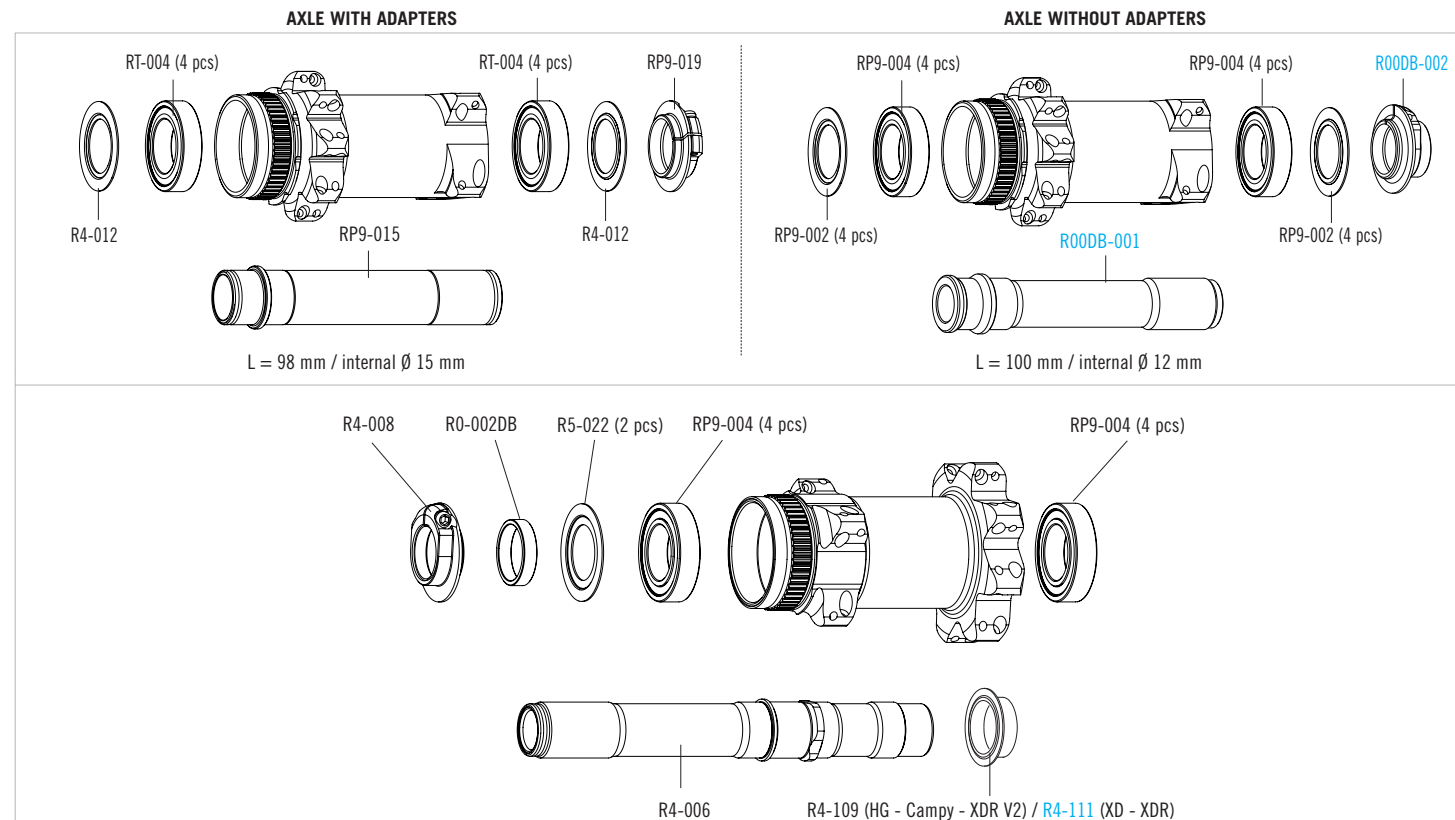
Spacer for HG11 FW body	RS-004	5 pcs - to be used only with 9/10s sprockets (HG11 FW body package contains the spacer)
KIT QR + QUICK RELEASE - FRONT	R5-QF16K	for front wheel - adapters + quick-release skewer
KIT QR + QUICK RELEASE - REAR	R5-QR16K	for rear wheel - adapters + quick-release skewer

**ADAPTERS FOR FRONT AND REAR AXLES ON PAGE 84**

# RACING 400 DB CLINCHER

AFS

## HUBS/MOZZI



Complete FW body / Corpetti RL completi

R0-113 (HG 9/11) - RS-005 (Campagnolo) - R0-123 (XDR) - R0-126 (XDR V2)

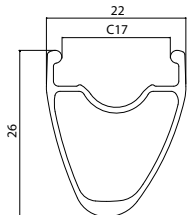
See exploded view pag. 82

# RACING 5™ DB CLINCHER

AFS

## RIMS & SPOKES/CERCHI E RAGGI

### RIM

	RIM-TAPE LABEL KIT VALVE HOLE DIAMETER	2-S9-RT (22.5 mm - 2 pcs) R5-LAB18D (front+rear) - R500-LAB18D (front+rear) 6,5 mm 622 X 17C
---	---	---

### SPOKES

SPOKE L. 288 (front RH)	R5F-DS288	4 spokes + 4 nipples
SPOKE L. 293 (front LH)	R5R-DS293	4 spokes + 4 nipples
SPOKE L. 293 (rear RH)	R5F-DS293	4 spokes + 4 nipples
SPOKE L. 289 (rear LH)	R5R-DS289	4 spokes + 4 nipples
NIPPLES	R5-B02	50 pcs

### ACCESSORIES

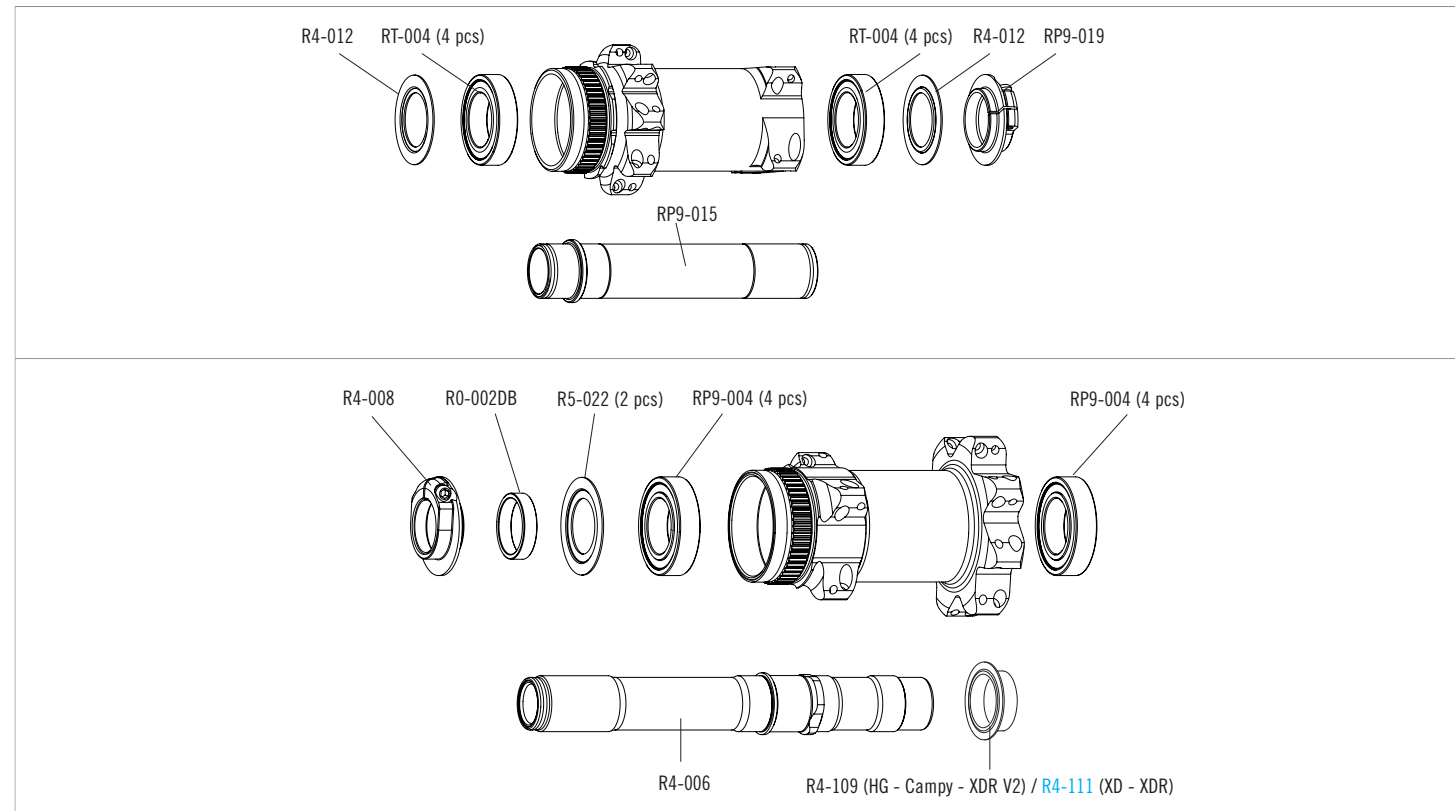
Spacer for HG11 FW body	RS-004	5 pcs - to be used only with 9/10s sprockets <i>(HG11 FW body package contains the spacer)</i>
KIT QR + QUICK RELEASE - FRONT	R5-QF16K	for front wheel - adapters + quick-release skewer
KIT QR + QUICK RELEASE - REAR	R5-QR16K	for rear wheel - adapters + quick-release skewer

**ADAPTERS FOR FRONT AND REAR AXLES ON PAGE 84**

# RACING 5™ DB CLINCHER

AFS

## HUBS/MOZZI



Complete FW body / Corpetti RL completi

R0-113 (HG 9/11) - RS-005 (Campagnolo) - R0-123 (XDR) - R0-126 (XDR V2)

See exploded view pag. 82

# RACING 500 DB CLINCHER

AFS

## RIMS & SPOKES/CERCHI E RAGGI

### RIM

	<p>RIM-TAPE LABEL KIT VALVE HOLE DIAMETER</p>	<p>2-S9-RT (22.5 mm - 2 pcs) R5-LAB18D (front+rear) - R500-LAB18D (front+rear) 6,5 mm 622 X 17C</p>
--	---	---

### SPOKES

SPOKE L. 288 (front RH)	R5F-DS288	4 spokes + 4 nipples
SPOKE L. 293 (front LH)	R5R-DS293	4 spokes + 4 nipples
SPOKE L. 293 (rear RH)	R5F-DS293	4 spokes + 4 nipples
SPOKE L. 289 (rear LH)	R5R-DS289	4 spokes + 4 nipples
NIPPLES	R5-B02	50 pcs

### ACCESSORIES

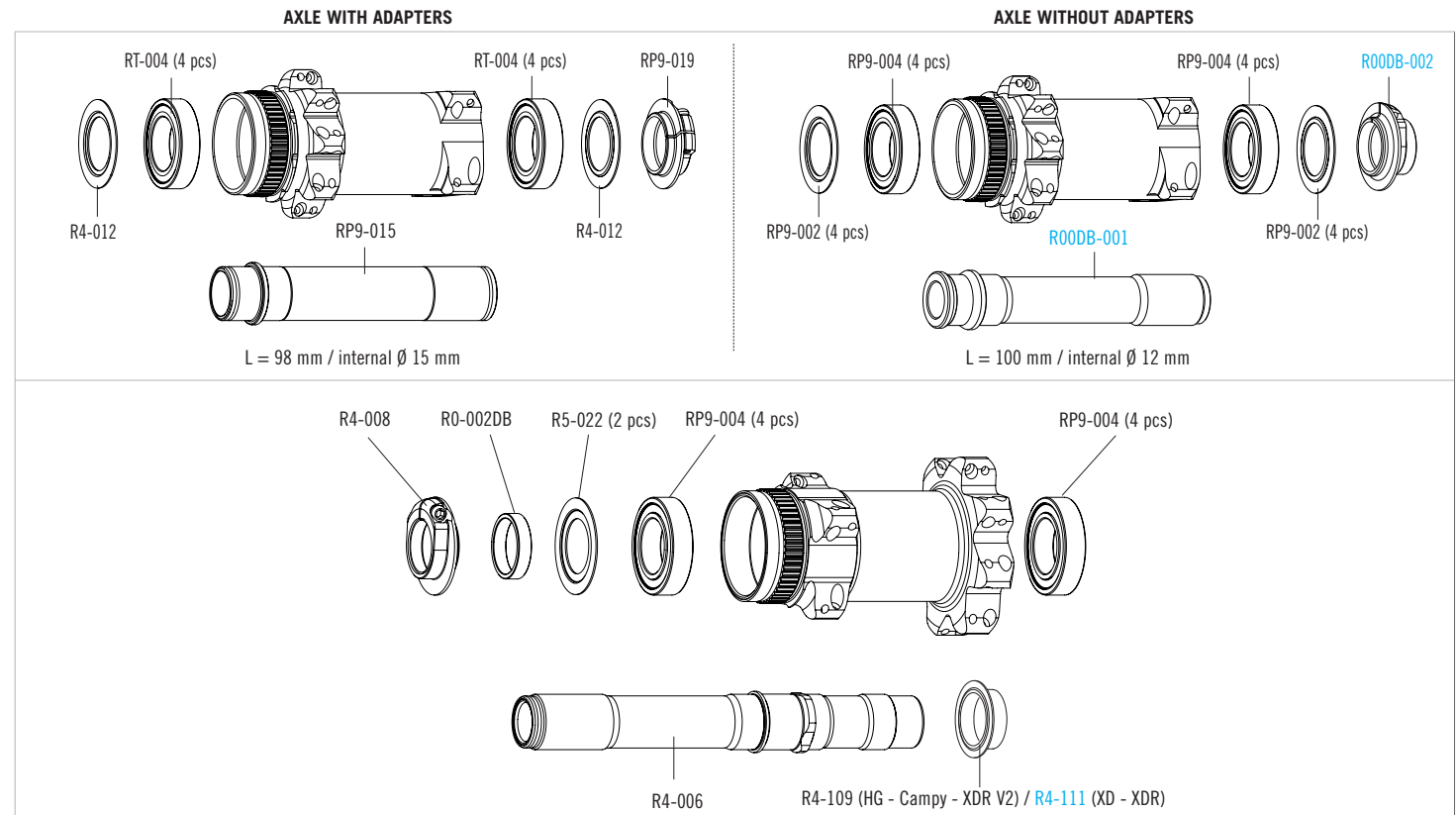
Spacer for HG11 FW body	RS-004	5 pcs - to be used only with 9/10s sprockets (HG11 FW body package contains the spacer)
KIT QR + QUICK RELEASE - FRONT	R5-QF16K	for front wheel - adapters + quick-release skewer
KIT QR + QUICK RELEASE - REAR	R5-QR16K	for rear wheel - adapters + quick-release skewer

**ADAPTERS FOR FRONT AND REAR AXLES ON PAGE 84**

# RACING 500 DB CLINCHER

AFS

## HUBS/MOZZI



Complete FW body / Corpetti RL completi

**R0-113** (HG 9/11) - **RS-005** (Campagnolo) - **R0-123** (XDR) - **R0-126** (XDR V2)

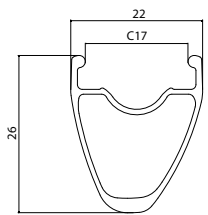
See exploded view pag. 82

# RACING 6™ DB CLINCHER

AFS

## RIMS & SPOKES/CERCHI E RAGGI

### RIM

	RIM-TAPE LABEL KIT VALVE HOLE DIAMETER	2-S9-RT (22.5 mm - 2 pcs) R6-LAB18D (front+rear) - R600-LAB18D (front+rear) 6,5 mm 622 X 17C
---	---	---

### SPOKES

SPOKE L. 279 (front RH)	R6F-DS279	4 spokes + 4 nipples
SPOKE L. 288 (front LH)	R6F-DS288	4 spokes + 4 nipples
SPOKE L. 285 (rear RH)	R6R-DS285	4 spokes + 4 nipples
SPOKE L. 274 (rear LH)	R6R-DS274	4 spokes + 4 nipples
NIPPLES	RZ7-B	50 pcs

### ACCESSORIES

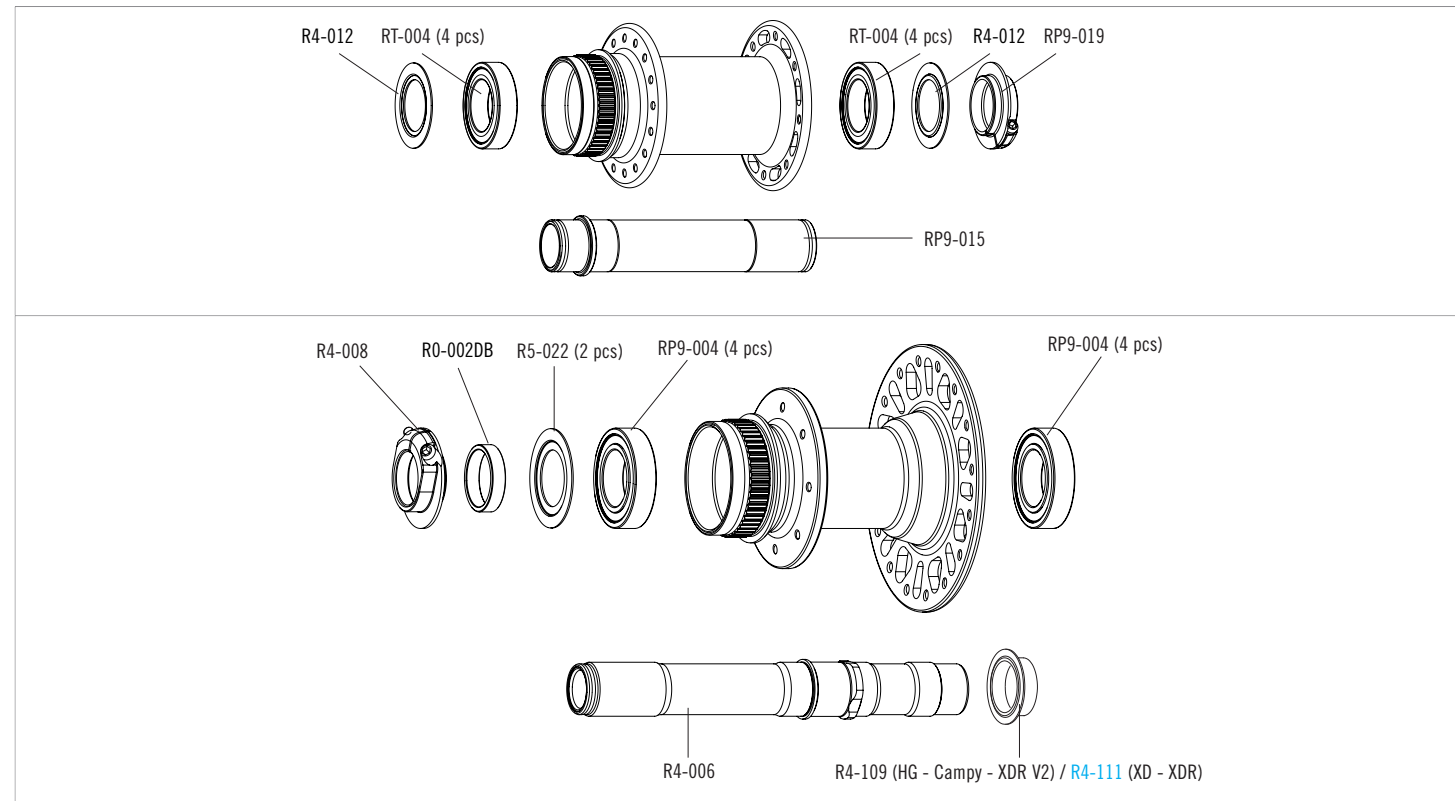
Spacer for HG11 FW body	RS-004	5 pcs - to be used only with 9/10s sprockets (HG11 FW body package contains the spacer)
KIT QR + QUICK RELEASE - FRONT	R5-QF16K	for front wheel - adapters + quick-release skewer
KIT QR + QUICK RELEASE - REAR	R5-QR16K	for rear wheel - adapters + quick-release skewer

**ADAPTERS FOR FRONT AND REAR AXLES ON PAGE 84**

# RACING 6™ DB CLINCHER

AFS

## HUBS/MOZZI



Complete FW body / Corpetti RL completi

**R0-113** (HG 9/11) - **RS-005** (Campagnolo) - **R0-123** (XDR) - **R0-126** (XDR V2)

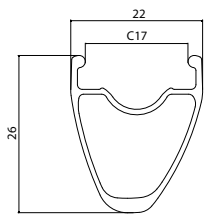
See exploded view pag. 82

# RACING 600 DB CLINCHER

AFS

## RIMS & SPOKES/CERCHI E RAGGI

### RIM

	RIM-TAPE LABEL KIT VALVE HOLE DIAMETER	2-S9-RT (22.5 mm - 2 pcs) R6-LAB18D (front+rear) - R600-LAB18D (front+rear) 6,5 mm 622 X 17C
---	---	---

### SPOKES

SPOKE L. 279 (front RH)	R6F-DS279	4 spokes + 4 nipples
SPOKE L. 288 (front LH)	R6F-DS288	4 spokes + 4 nipples
SPOKE L. 285 (rear RH)	R6R-DS285	4 spokes + 4 nipples
SPOKE L. 274 (rear LH)	R6R-DS274	4 spokes + 4 nipples
NIPPLES	RZ7-B	50 pcs

### ACCESSORIES

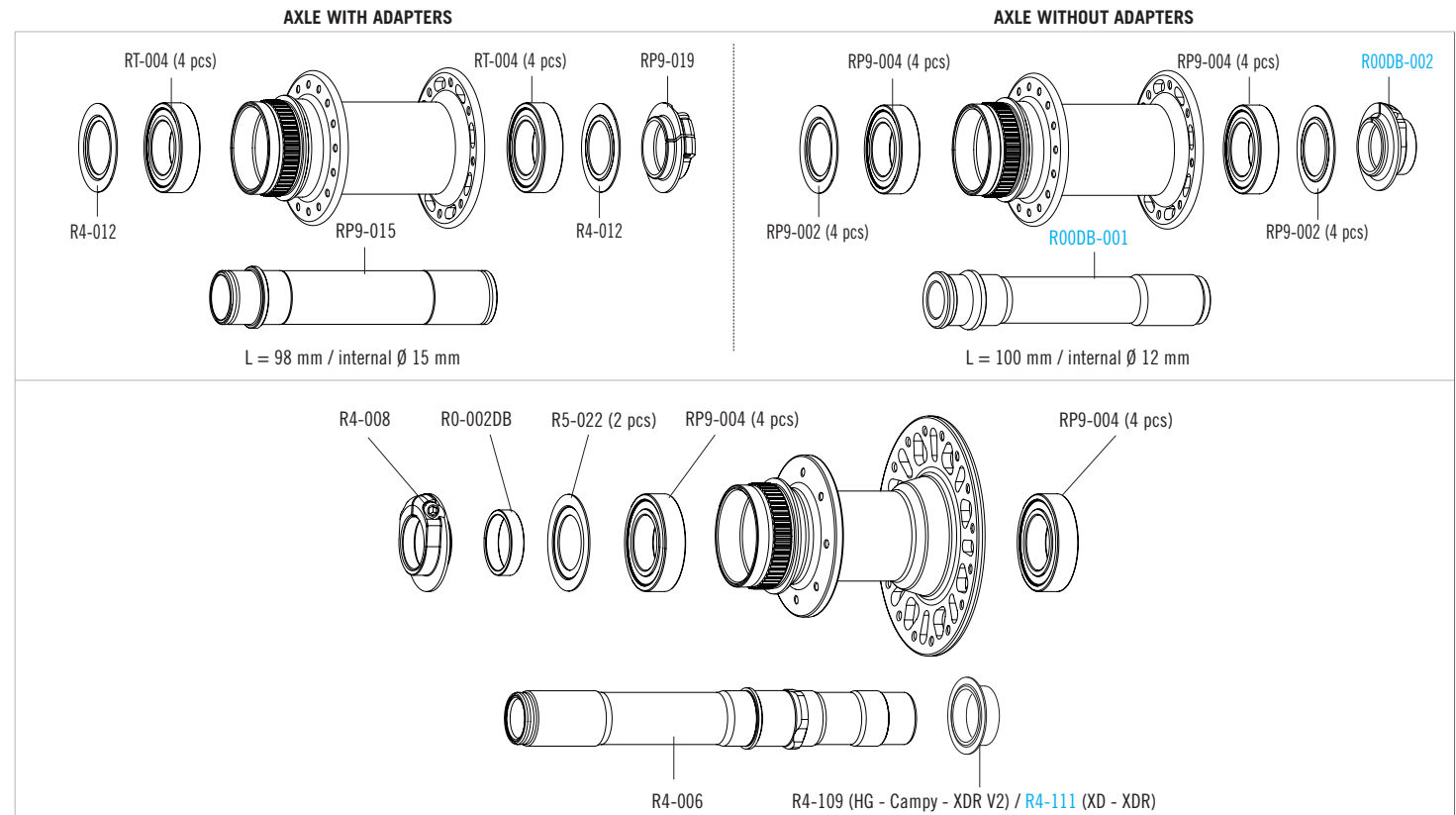
Spacer for HG11 FW body	RS-004	5 pcs - to be used only with 9/10s sprockets (HG11 FW body package contains the spacer)
KIT QR + QUICK RELEASE - FRONT	R5-QF16K	for front wheel - adapters + quick-release skewer
KIT QR + QUICK RELEASE - REAR	R5-QR16K	for rear wheel - adapters + quick-release skewer

**ADAPTERS FOR FRONT AND REAR AXLES ON PAGE 84**

# RACING 600 DB CLINCHER

AFS

## HUBS/MOZZI



Complete FW body / Corpetti RL completi

R0-113 (HG 9/11) - RS-005 (Campagnolo) - R0-123 (XDR) - R0-126 (XDR V2)

See exploded view pag. 82

# RACING 7B™ DB CLINCHER

AFS

## RIMS & SPOKES/CERCHI E RAGGI

### RIM

	RIM-TAPE LABEL KIT VALVE HOLE DIAMETER	R700-RT02B (23 mm - 2 pcs) R7B-LAB19DB (front+rear) - R700B-LAB19DB (front+rear) 6,5 mm 27.5 2WF-Ready
---	---	---

### SPOKES

SPOKE L. 265 (front RH)	R7BF-DS294	4 spokes + 4 nipples
SPOKE L. 273,5 (front LH)	R7BF-DS293	4 spokes + 4 nipples
SPOKE L. 270,5 (rear RH)	R7BR-DS296	4 spokes + 4 nipples
SPOKE L. 259,5 (rear LH)	R7BR-DS295	4 spokes + 4 nipples
NIPPLES	RZ7-B	50 pcs
TOOL	T-18	spoke spanner

### ACCESSORIES

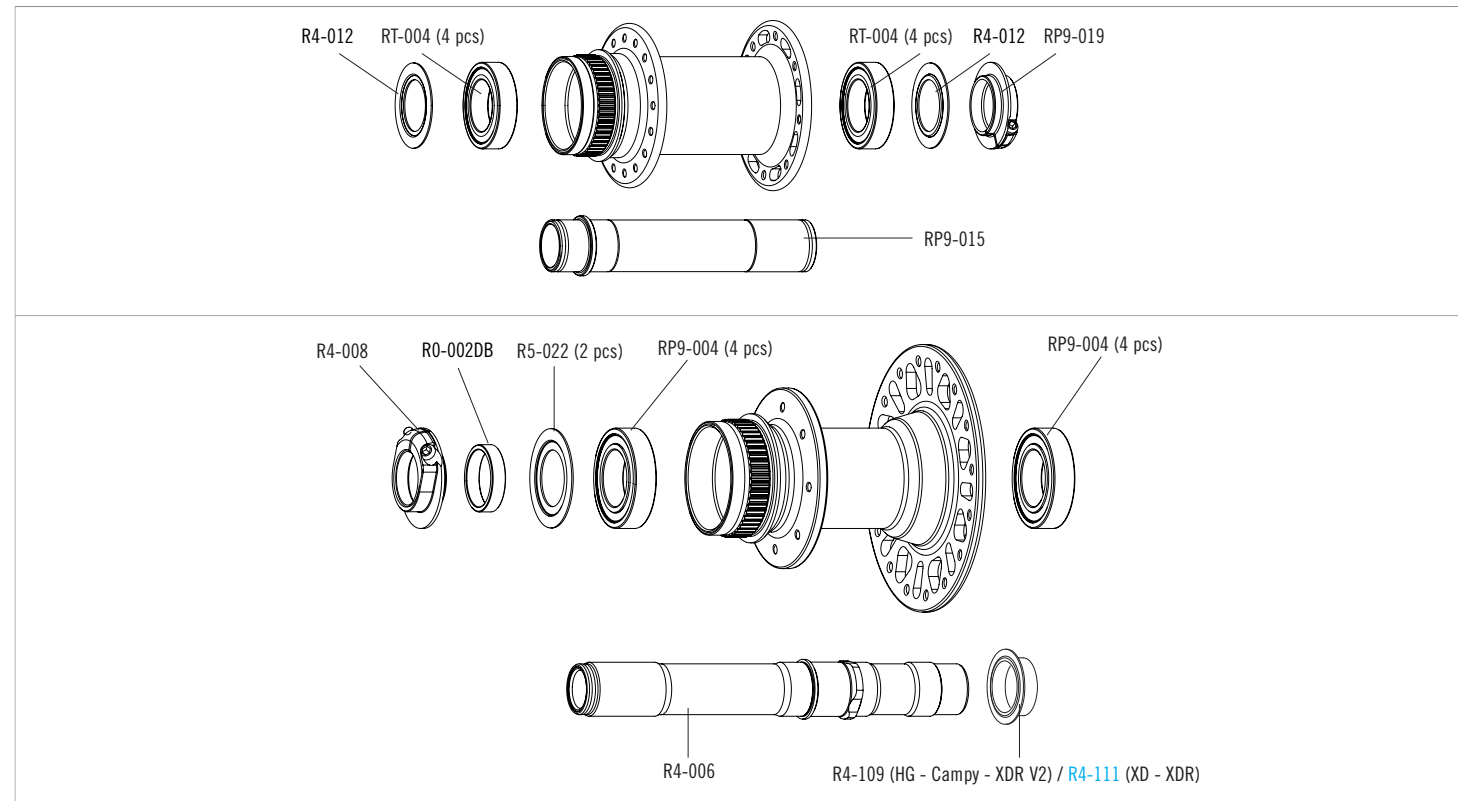
Spacer for HG11 FW body	RS-004	5 pcs - to be used only with 9/10s sprockets (HG11 FW body package contains the spacer)
KIT QR + QUICK RELEASE - FRONT	R5-QF16K	for front wheel - adapters + quick-release skewer
KIT QR + QUICK RELEASE - REAR	R5-QR16K	for rear wheel - adapters + quick-release skewer

**ADAPTERS FOR FRONT AND REAR AXLES ON PAGE 84**

# RACING 7B™ DB CLINCHER

AFS

## HUBS/MOZZI



Complete FW body / Corpetti RL completi

**R0-113** (HG 9/11) - **RS-005** (Campagnolo) - **R0-123** (XDR) - **R0-126** (XDR V2)

See exploded view pag. 82

# RACING 700B™ DB CLINCHER

AFS

## RIMS & SPOKES/CERCHI E RAGGI

### RIM

	RIM-TAPE LABEL KIT VALVE HOLE DIAMETER	R700-RT02B (23 mm - 2 pcs) R7B-LAB19DB (front+rear) - R700B-LAB19DB (front+rear) 6,5 mm 27.5 2WF-Ready
---	---	---

### SPOKES

SPOKE L. 265 (front RH)	R7BF-DS294	4 spokes + 4 nipples
SPOKE L. 273,5 (front LH)	R7BF-DS293	4 spokes + 4 nipples
SPOKE L. 270,5 (rear RH)	R7BR-DS296	4 spokes + 4 nipples
SPOKE L. 259,5 (rear LH)	R7BR-DS295	4 spokes + 4 nipples
NIPPLES	RZ7-B	50 pcs
TOOL	T-18	spoke spanner

### ACCESSORIES

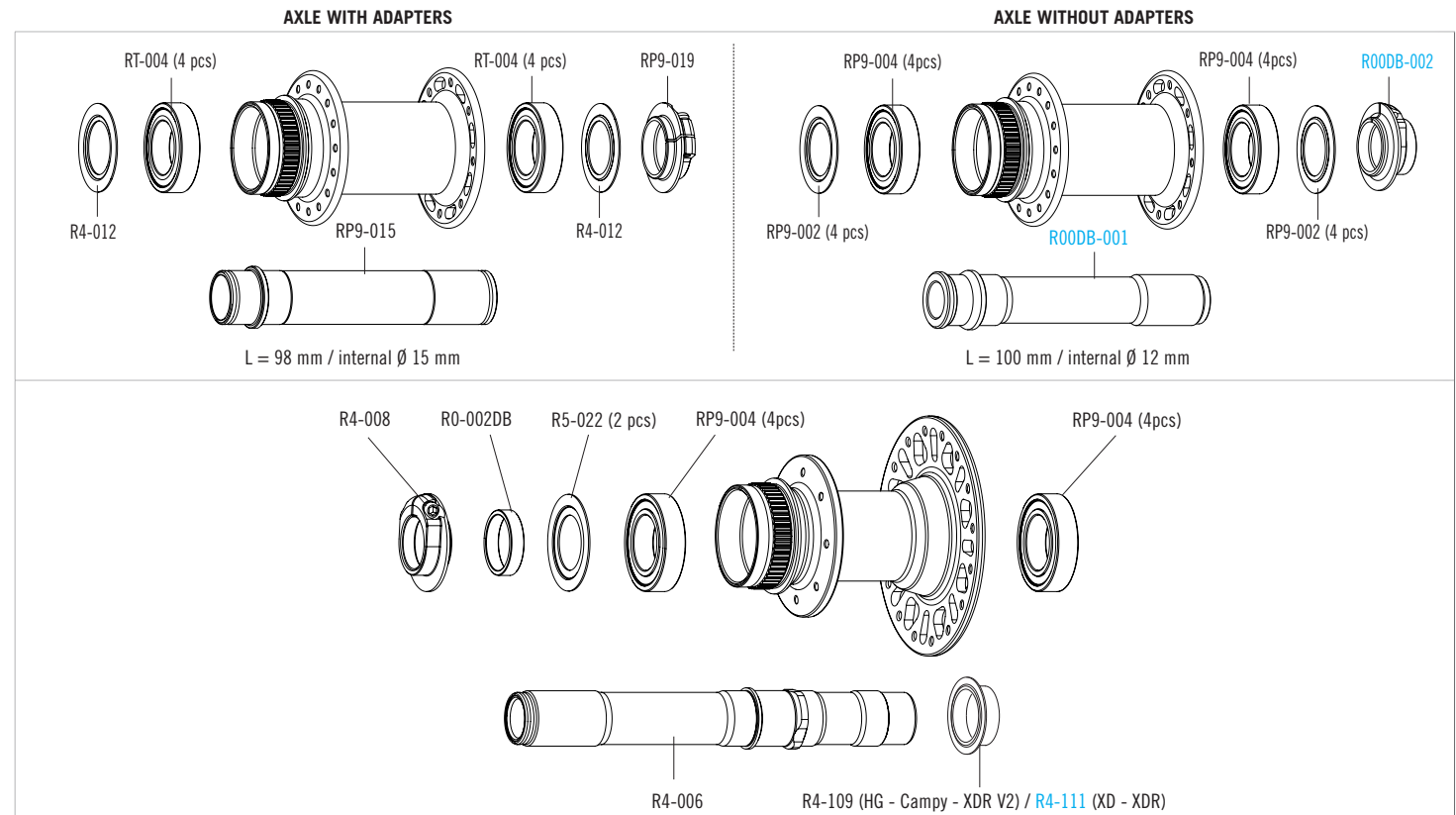
Spacer for HG11 FW body	RS-004	5 pcs - to be used only with 9/10s sprockets (HG11 FW body package contains the spacer)
KIT QR + QUICK RELEASE - FRONT	R5-QF16K	for front wheel - adapters + quick-release skewer
KIT QR + QUICK RELEASE - REAR	R5-QR16K	for rear wheel - adapters + quick-release skewer

**ADAPTERS FOR FRONT AND REAR AXLES ON PAGE 84**

# RACING 700B™ DB CLINCHER

AFS

## HUBS/MOZZI



Complete FW body / Corpetti RL completi

R0-113 (HG 9/11) - RS-005 (Campagnolo) - R0-123 (XDR) - R0-126 (XDR V2)

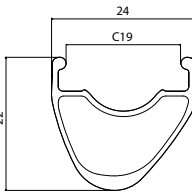
See exploded view pag. 82

# RACING 7™ DB CLINCHER

AFS

## RIMS & SPOKES/CERCHI E RAGGI

### RIM

	RIM-TAPE LABEL KIT VALVE HOLE DIAMETER	R7-RT01 (23 mm - 2 pcs) R7-LAB18D (front+rear) - R700-LAB18D (front+rear) 6,5 mm 622 X 19C
---	---	---

### SPOKES

SPOKE L. 283 (front RH)	R7F-DS283	4 spokes + 4 nipples
SPOKE L. 292 (front LH)	R7F-DS292	4 spokes + 4 nipples
SPOKE L. 290 (rear RH)	R7R-DS290	4 spokes + 4 nipples
SPOKE L. 277 (rear LH)	R7R-DS277	4 spokes + 4 nipples
NIPPLES	RZ7-B	50 pcs

### ACCESSORIES

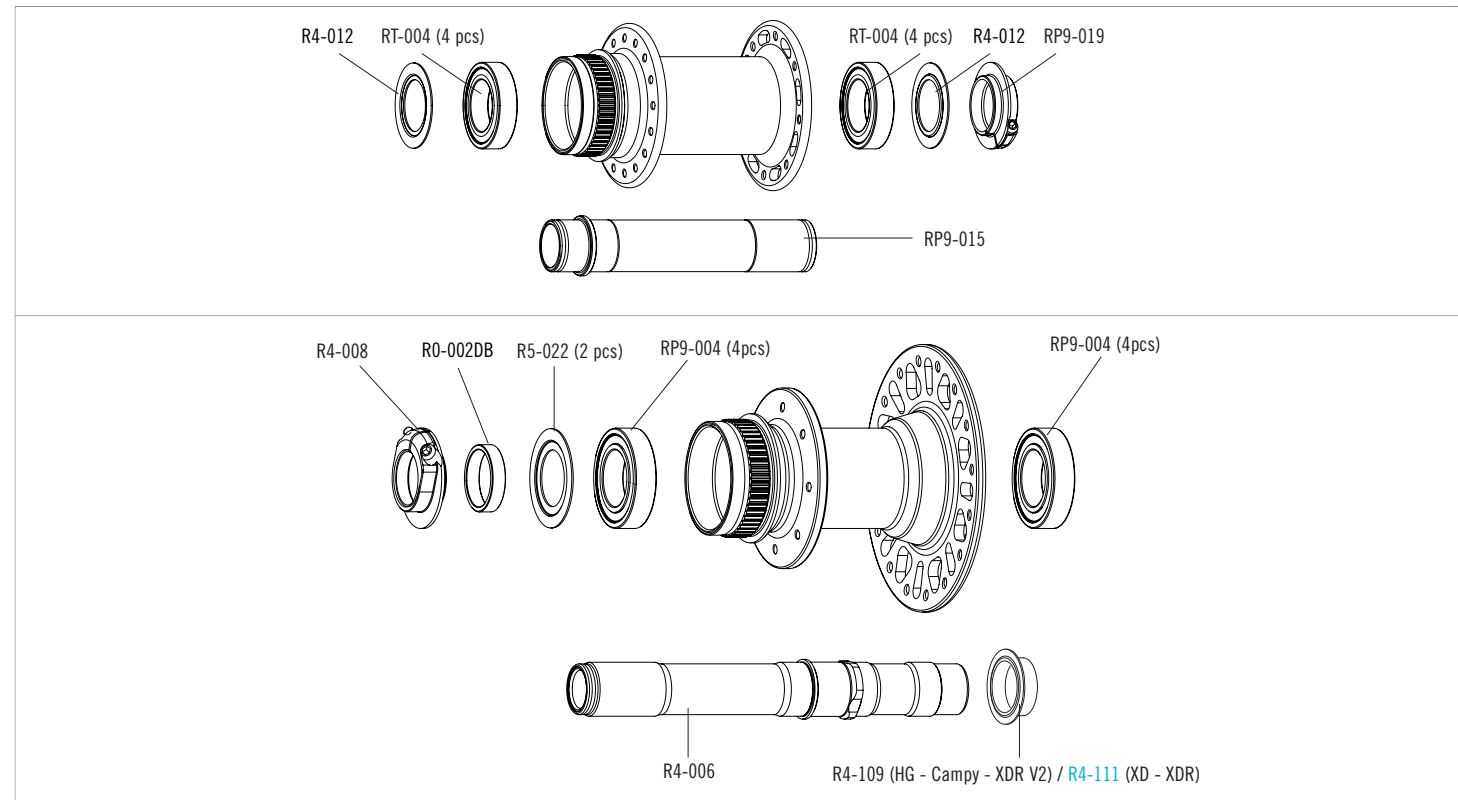
Spacer for HG11 FW body	RS-004	5 pcs - to be used only with 9/10s sprockets (HG11 FW body package contains the spacer)
KIT QR + QUICK RELEASE - FRONT	R5-QF16K	for front wheel - adapters + quick-release skewer
KIT QR + QUICK RELEASE - REAR	R5-QR16K	for rear wheel - adapters + quick-release skewer

**ADAPTERS FOR FRONT AND REAR AXLES ON PAGE 84**

# RACING 7™ DB CLINCHER

AFS

## HUBS/MOZZI



Complete FW body / Corpetti RL completi

**R0-113** (HG 9/11) - **RS-005** (Campagnolo) - **R0-123** (XDR) - **R0-126** (XDR V2)

See exploded view pag. 82

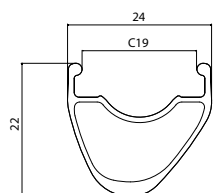


# RACING 700 DB CLINCHER

AFS

## RIMS & SPOKES/CERCHI E RAGGI

### RIM

	RIM-TAPE LABEL KIT VALVE HOLE DIAMETER	R7-RT01 (23 mm - 2 pcs) R7-LAB18D (front+rear) - R700-LAB18D (front+rear) 6,5 mm 622 X 19C
---	--	---

### SPOKES

SPOKE L. 283 (front RH)	R7F-DS283	4 spokes + 4 nipples
SPOKE L. 292 (front LH)	R7F-DS292	4 spokes + 4 nipples
SPOKE L. 290 (rear RH)	R7R-DS290	4 spokes + 4 nipples
SPOKE L. 277 (rear LH)	R7R-DS277	4 spokes + 4 nipples
NIPPLES	RZ7-B	50 pcs

### ACCESSORIES

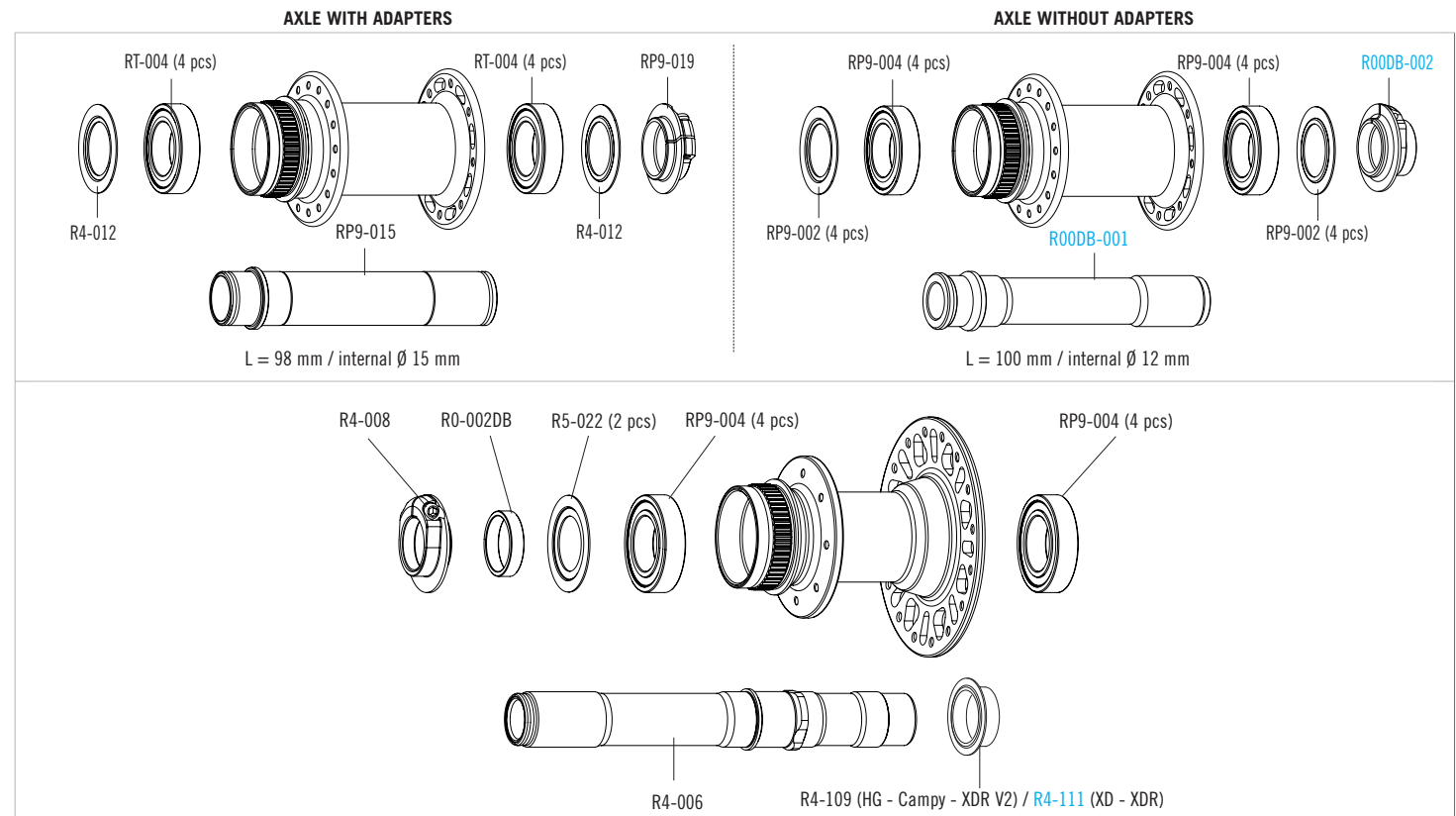
Spacer for HG11 FW body	RS-004	5 pcs - to be used only with 9/10s sprockets (HG11 FW body package contains the spacer)
KIT QR + QUICK RELEASE - FRONT	R5-QF16K	for front wheel - adapters + quick-release skewer
KIT QR + QUICK RELEASE - REAR	R5-QR16K	for rear wheel - adapters + quick-release skewer

**ADAPTERS FOR FRONT AND REAR AXLES ON PAGE 84**

# RACING 700 DB CLINCHER

AFS

## HUBS/MOZZI



Complete FW body / Corpetti RL completi

R0-113 (HG 9/11) - RS-005 (Campagnolo) - R0-123 (XDR) - R0-126 (XDR V2)

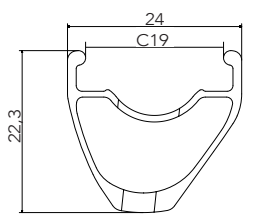
See exploded view pag. 82

# RACING 900 DB

AFS

## RIMS & SPOKES/CERCHI E RAGGI

### RIM

	VALVE HOLE DIAMETER	6,5 mm 622 X 19C
---	---------------------	---------------------

### SPOKES

FRONT LH SPOKE L. 284.5	R9DB-016	4 spokes + 4 nipples
FRONT RH SPOKE L. 277	R9DB-017	4 spokes + 4 nipples
REAR RIGHT SPOKE L. 281.5	R9DB-018	4 spokes + 4 nipples
REAR LEFT SPOKE L. 272.5	R9DB-019	4 spokes + 4 nipples
NIPPLES	50-R3-N	50 pcs

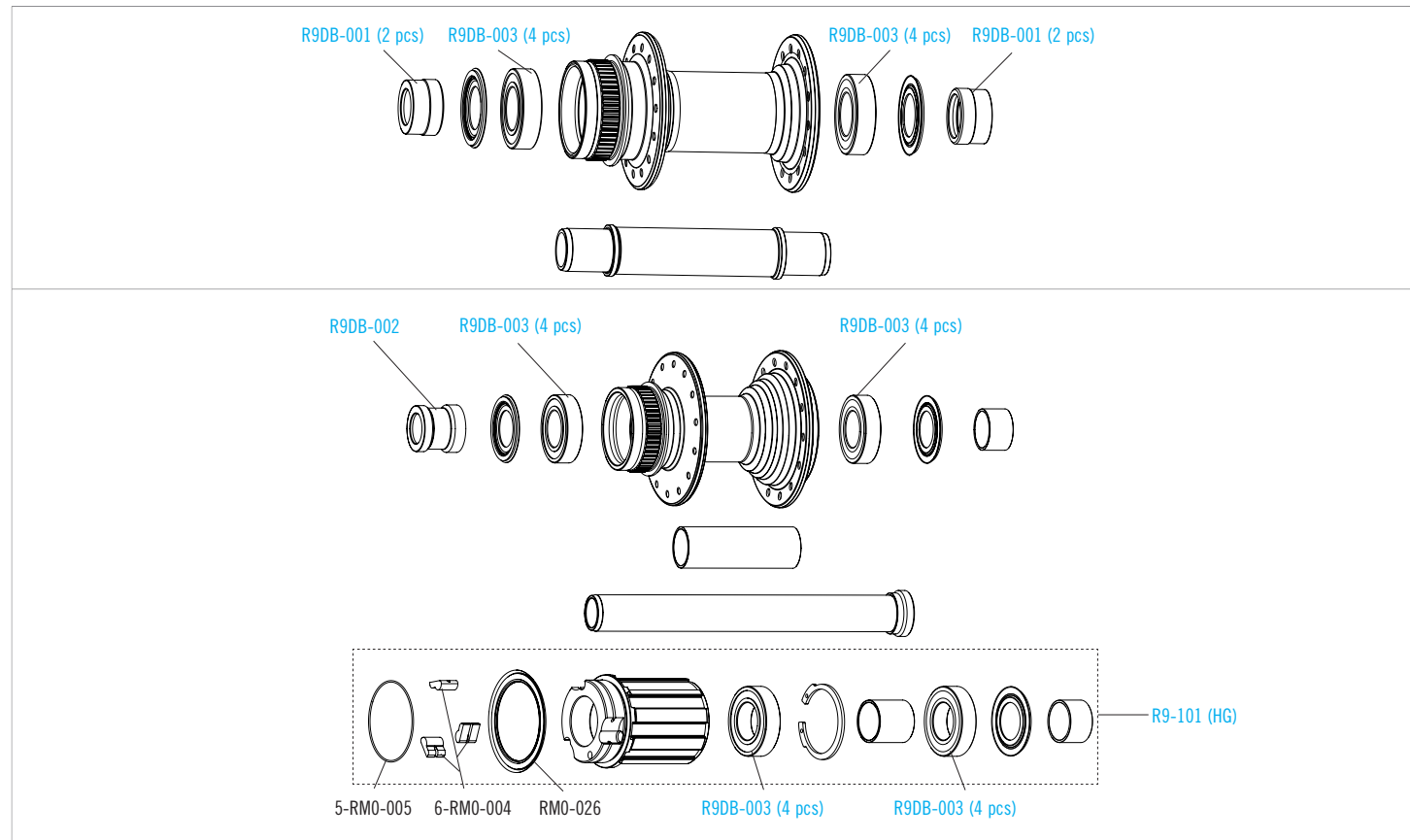
### ACCESSORIES

Spacer for HG11 FW body	RS-004	5 pcs - to be used only with 9/10s sprockets (HG11 FW body package contains the spacer)
-------------------------	--------	--

# RACING 900 DB

AFS

## HUBS/MOZZI

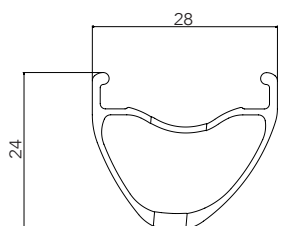


# RAPID RED 5 650b DB

AFS  
front: 12mm ta  
rear: 12mm ta 142

## RIMS & SPOKES/CERCHI E RAGGI

### RIM

	<p>LABEL KIT VALVE HOLE 2WF-READY TAPE DIAMETER</p>	<p>RR-LAB19275 (front+rear Rapid Red 5 650B DB) 7,5 mm RR-006 (5 m) 27,5 2WF-Ready</p>
--	---	--

### SPOKES

COMPLETE FRONT RH / REAR LH SPOKE 271,5	RR-016	4 spokes + 4 nipples
COMPLETE FRONT LH / REAR RH SPOKE 276	RR-017	4 spokes + 4 nipples
NIPPLES	R5-B01	50 pcs.

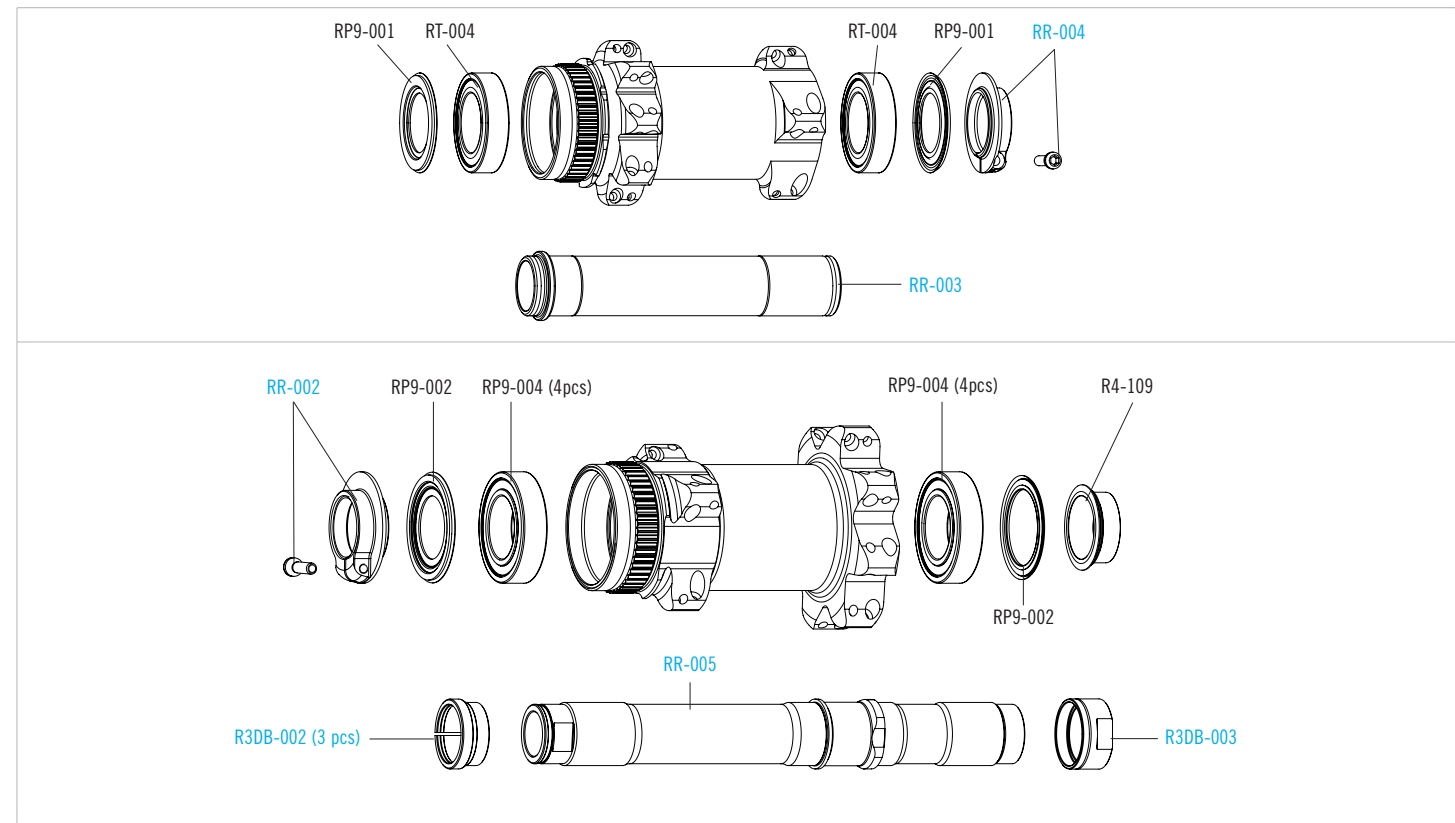
### ACCESSORIES

Spacer for HG11 FW body	RS-004	5 pcs - to be used only with 9/10s sprockets (HG11 FW body package contains the spacer)
<b>ADAPTERS FOR FRONT AXLES ON PAGE 84</b>		

# RAPID RED 5 650b DB

AFS  
front: 12mm ta  
rear: 12mm ta 142

## HUBS/MOZZI



Complete FW body / Corpetti RL completi

RO-113 (HG 9/11) - RS-005 (Campagnolo) - RO-126 (XDR V2)

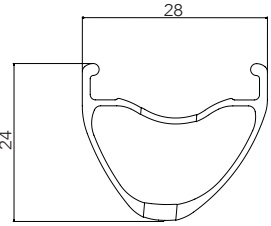
See exploded view pag. 82

# RAPID RED 500 650b DB

AFS  
front: 12mm ta  
rear: 12mm ta 142

## RIMS & SPOKES/CERCHI E RAGGI

### RIM

	<p>LABEL KIT VALVE HOLE 2WF-READY TAPE DIAMETER</p>	<p>RR-LAB1927500 (front+rear Rapid Red 500 650B DB) 7,5 mm RR-006 (5 m) 27,5 2WF-Ready</p>
---	---	--

### SPOKES

COMPLETE FRONT RH / REAR LH SPOKE 271,5	RR-016	4 spokes + 4 nipples
COMPLETE FRONT LH / REAR RH SPOKE 276	RR-017	4 spokes + 4 nipples
NIPPLES	R5-B01	50 pcs.

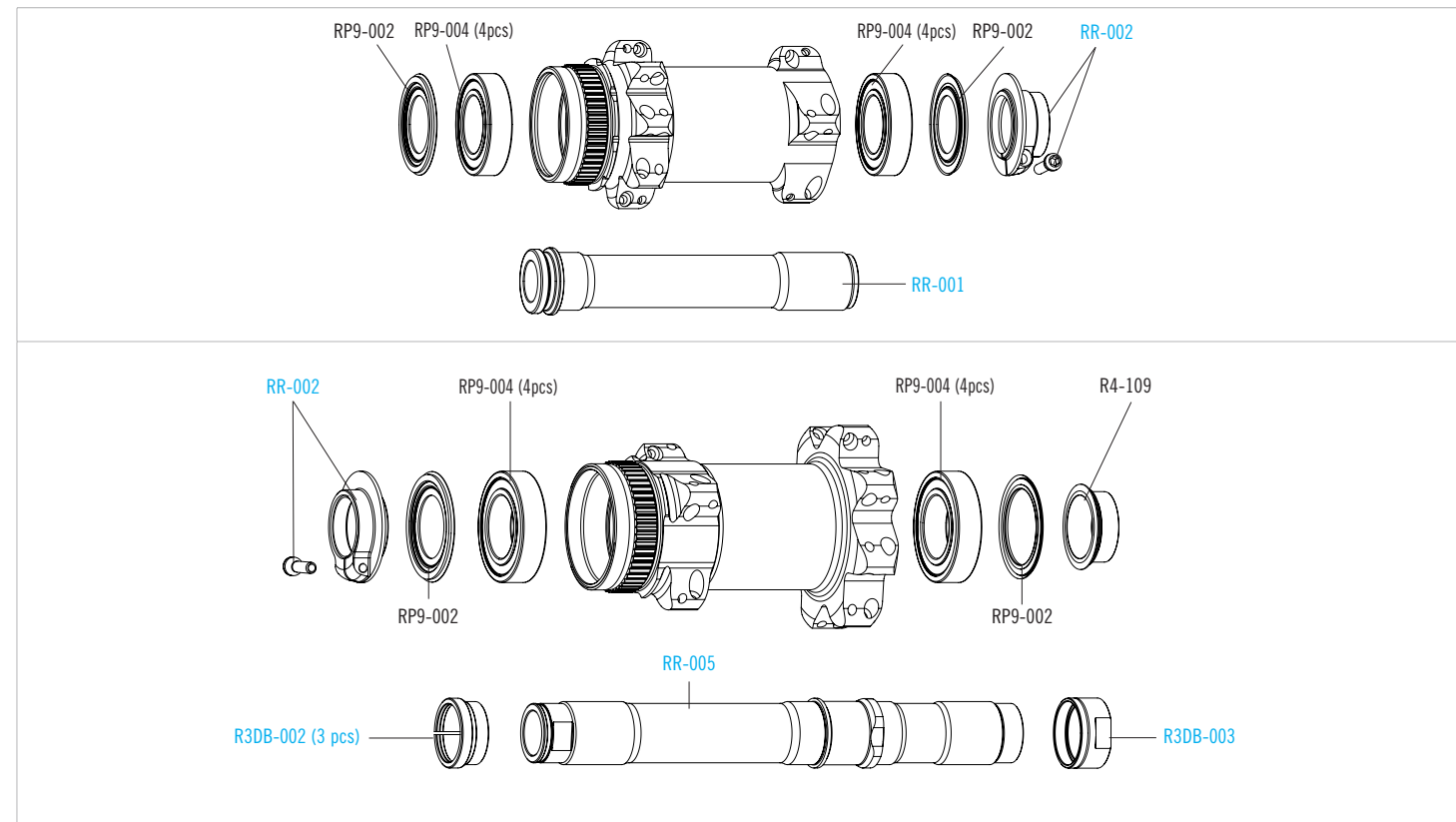
### ACCESSORIES

Spacer for HG11 FW body	RS-004	5 pcs - to be used only with 9/10s sprockets (HG11 FW body package contains the spacer)
-------------------------	--------	--

# RAPID RED 500 650b DB

AFS  
front: 12mm ta  
rear: 12mm ta 142

## HUBS/MOZZI



Complete FW body / Corpetti RL completi

RO-113 (HG 9/11) - RS-005 (Campagnolo) - RO-126 (XDR V2)

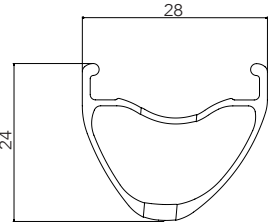
See exploded view pag. 82

# RAPID RED 5 700c DB

AFS  
front: 12mm ta  
rear: 12mm ta 142

## RIMS & SPOKES/CERCHI E RAGGI

### RIM

	<p>LABEL KIT VALVE HOLE 2WF-READY TAPE DIAMETER</p>	<p>RR-LAB19295 (front+rear Rapid Red 5 700C DB) 7,5 mm RR-006 (5 m) 29 2WF-Ready</p>
---	---	--

### SPOKES

COMPLETE FRONT RH / REAR LH SPOKE 290,5	RR-018	4 spokes + 4 nipples
COMPLETE FRONT LH / REAR RH SPOKE 294,5	RR-019	4 spokes + 4 nipples
NIPPLES	R5-B01	50 pcs.

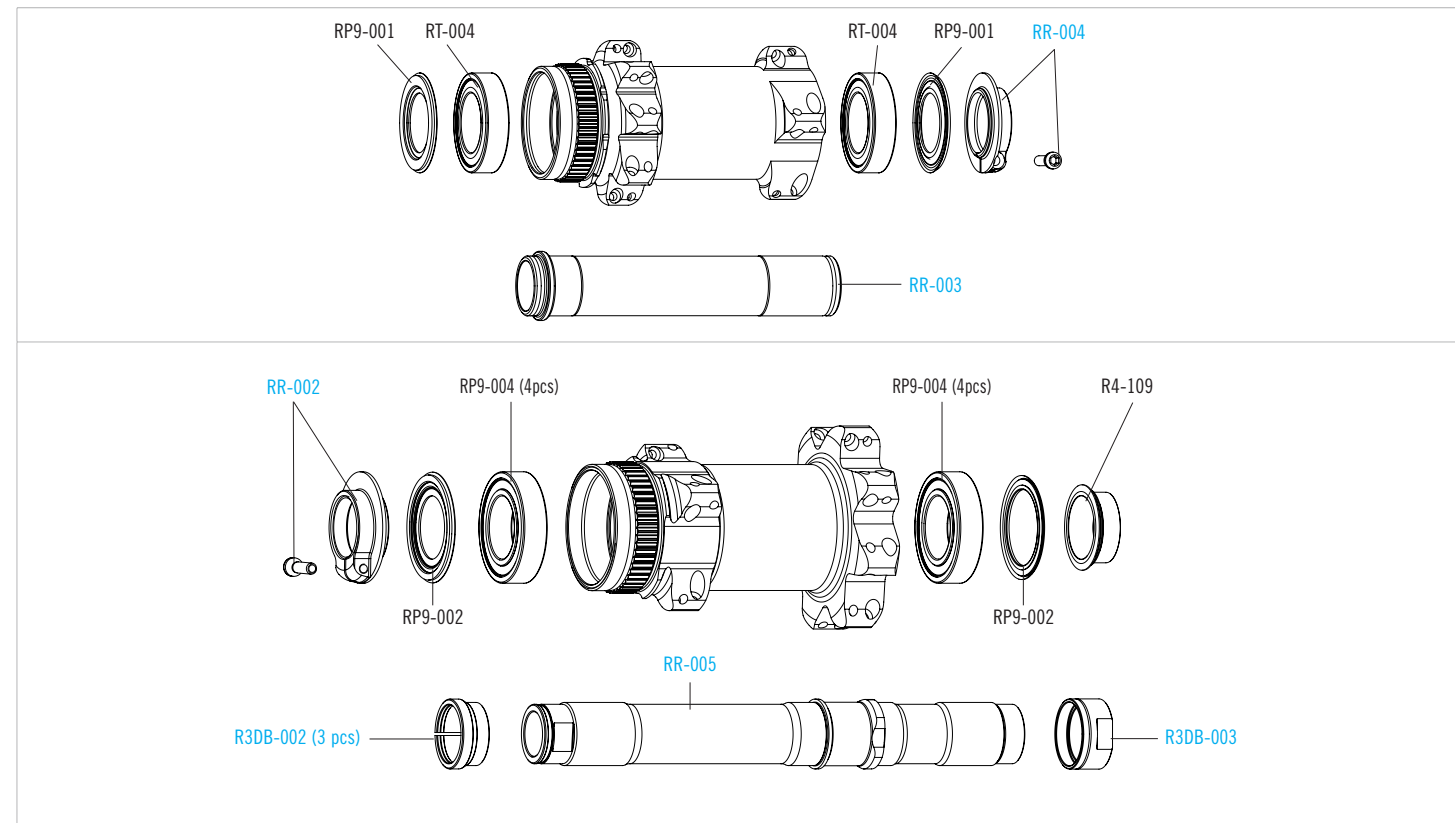
### ACCESSORIES

Spacer for HG11 FW body	RS-004	5 pcs - to be used only with 9/10s sprockets (HG11 FW body package contains the spacer)
<b>ADAPTERS FOR FRONT AXLES ON PAGE 84</b>		

# RAPID RED 5 700c DB

AFS  
front: 12mm ta  
rear: 12mm ta 142

## HUBS/MOZZI



Complete FW body / Corpetti RL completi

RO-113 (HG 9/11) - RS-005 (Campagnolo) - RO-126 (XDR V2)

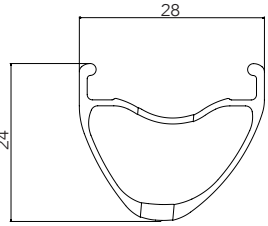
See exploded view pag. 82

# RAPID RED 500 700c DB

AFS  
front: 12mm ta  
rear: 12mm ta 142

## RIMS & SPOKES/CERCHI E RAGGI

### RIM

	<p>LABEL KIT VALVE HOLE 2WF-READY TAPE DIAMETER</p>	<p>RR-LAB1929500 (front+rear Rapid Red 500 700C DB) 7,5 mm RR-006 (5 m) 29 2WF-Ready</p>
---	---	--

### SPOKES

COMPLETE FRONT RH / REAR LH SPOKE 290,5	RR-018	4 spokes + 4 nipples
COMPLETE FRONT LH / REAR RH SPOKE 294,5	RR-019	4 spokes + 4 nipples
NIPPLES	R5-B01	50 pcs.

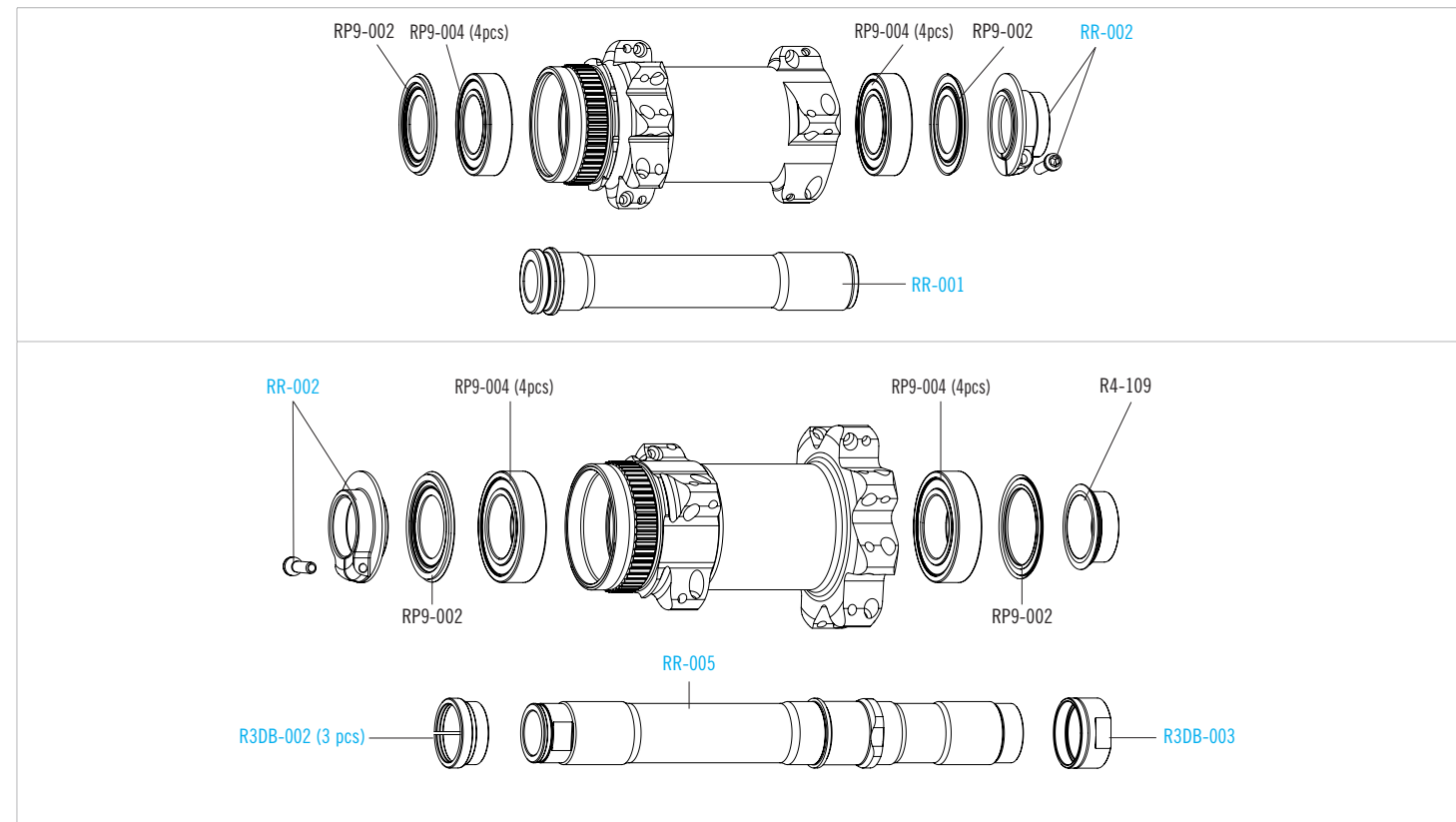
### ACCESSORIES

Spacer for HG11 FW body	RS-004	5 pcs - to be used only with 9/10s sprockets (HG11 FW body package contains the spacer)
-------------------------	--------	--

# RAPID RED 500 700c DB

AFS  
front: 12mm ta  
rear: 12mm ta 142

## HUBS/MOZZI

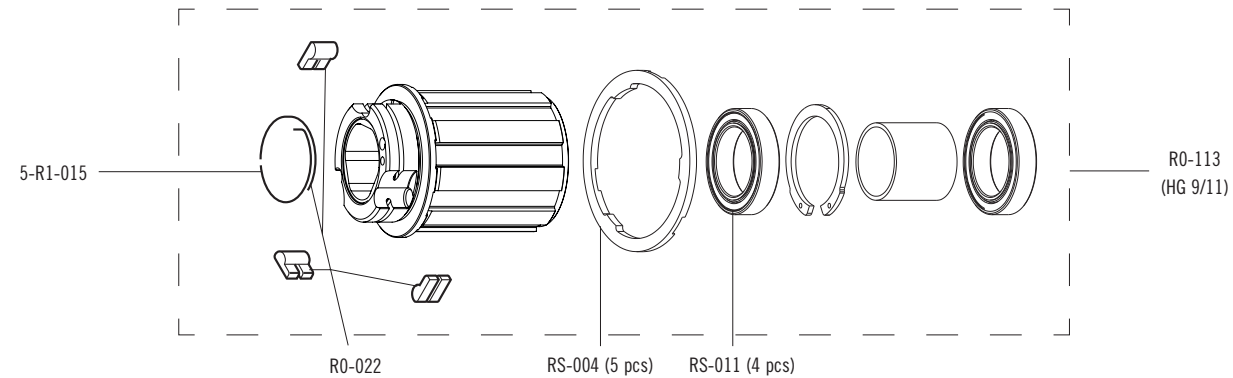
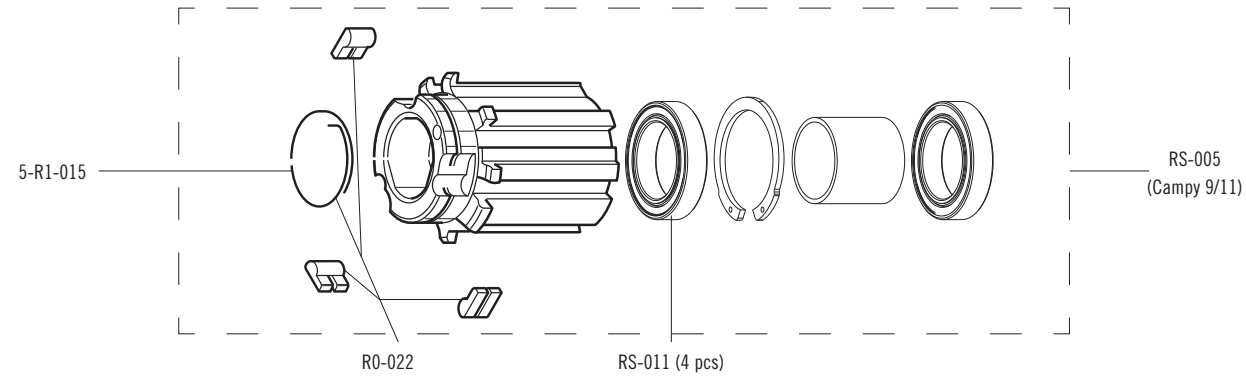


Complete FW body / Corpetti RL completi

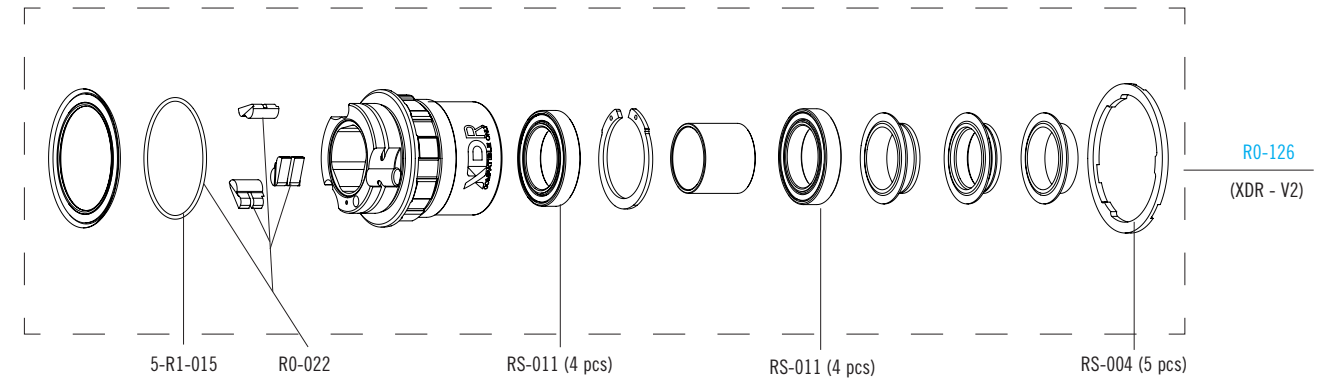
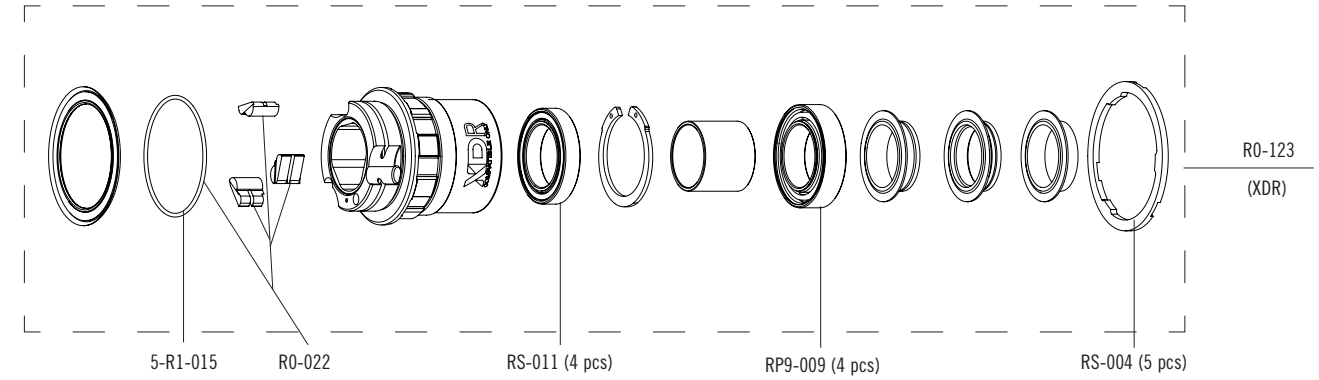
RO-113 (HG 9/11) - RS-005 (Campagnolo) - RO-126 (XDR V2)

See exploded view pag. 82

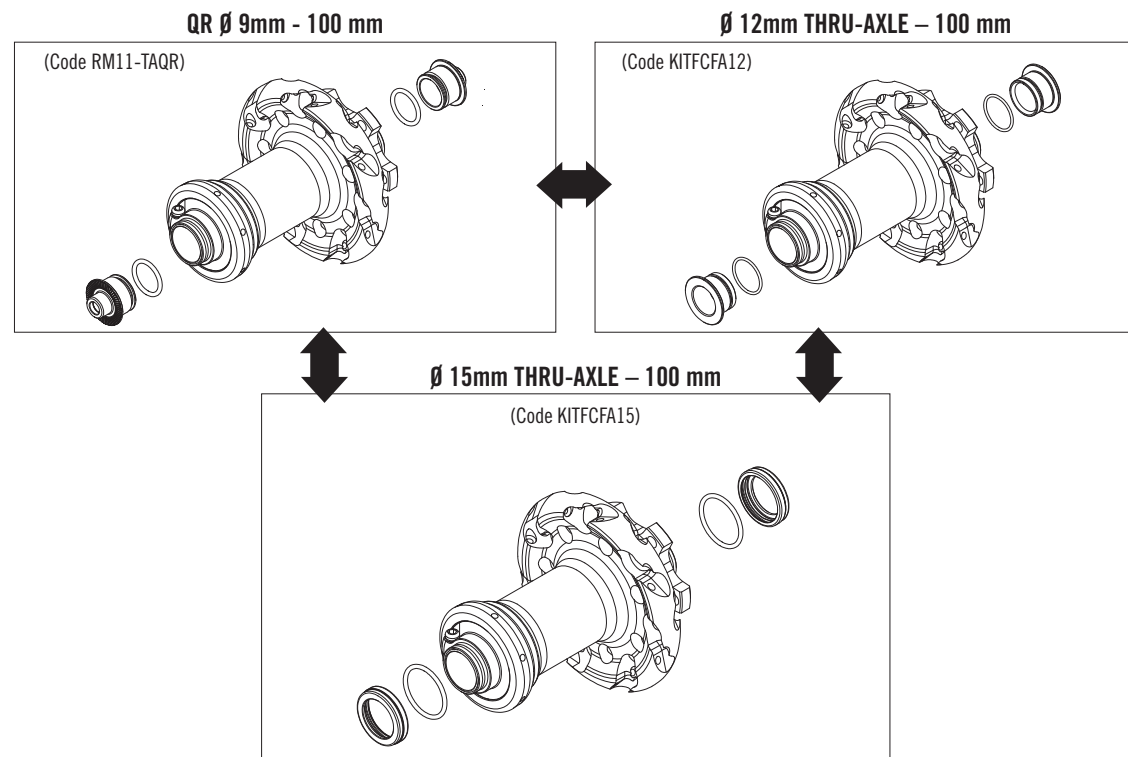
# FW BODIES ROAD WHEELS



# FW BODIES ROAD WHEELS



## ADAPTERS FOR ROAD DB FRONT AXLES



## ADAPTERS FOR ROAD DB REAR AXLES

